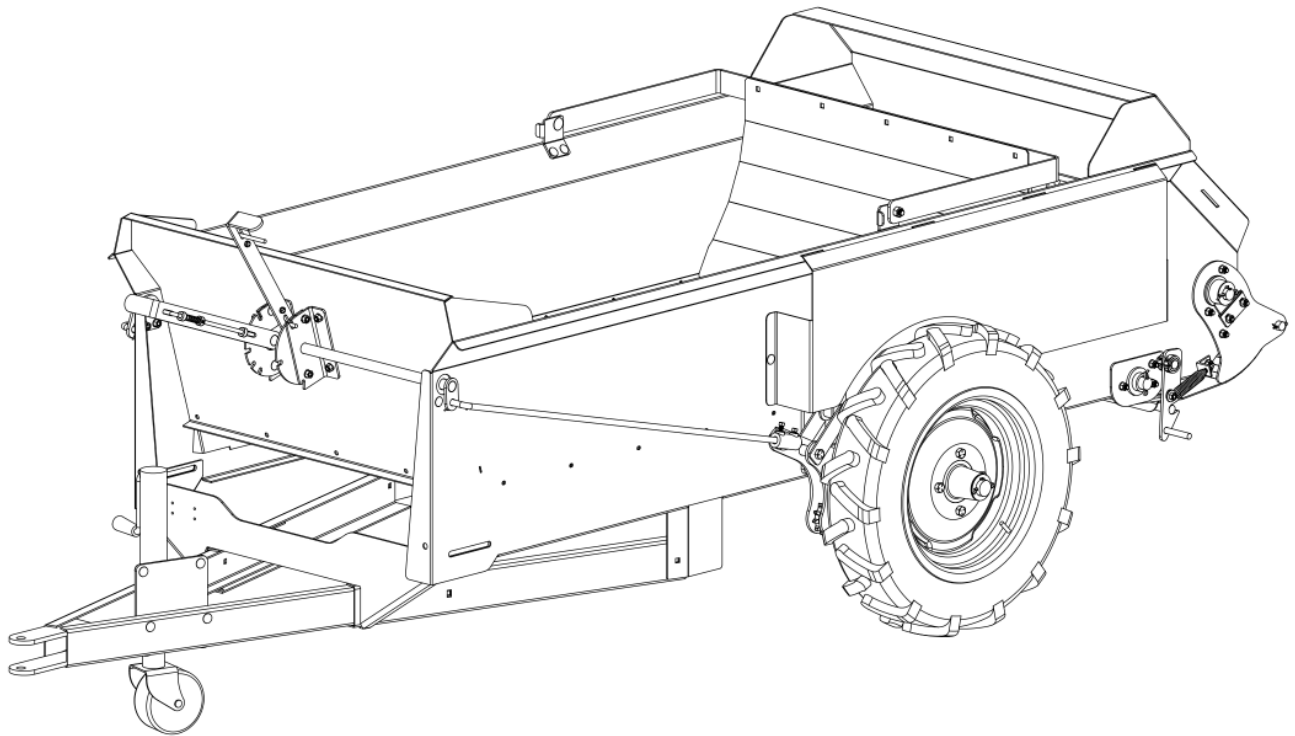


Ground Drive Spreader Parts Manual

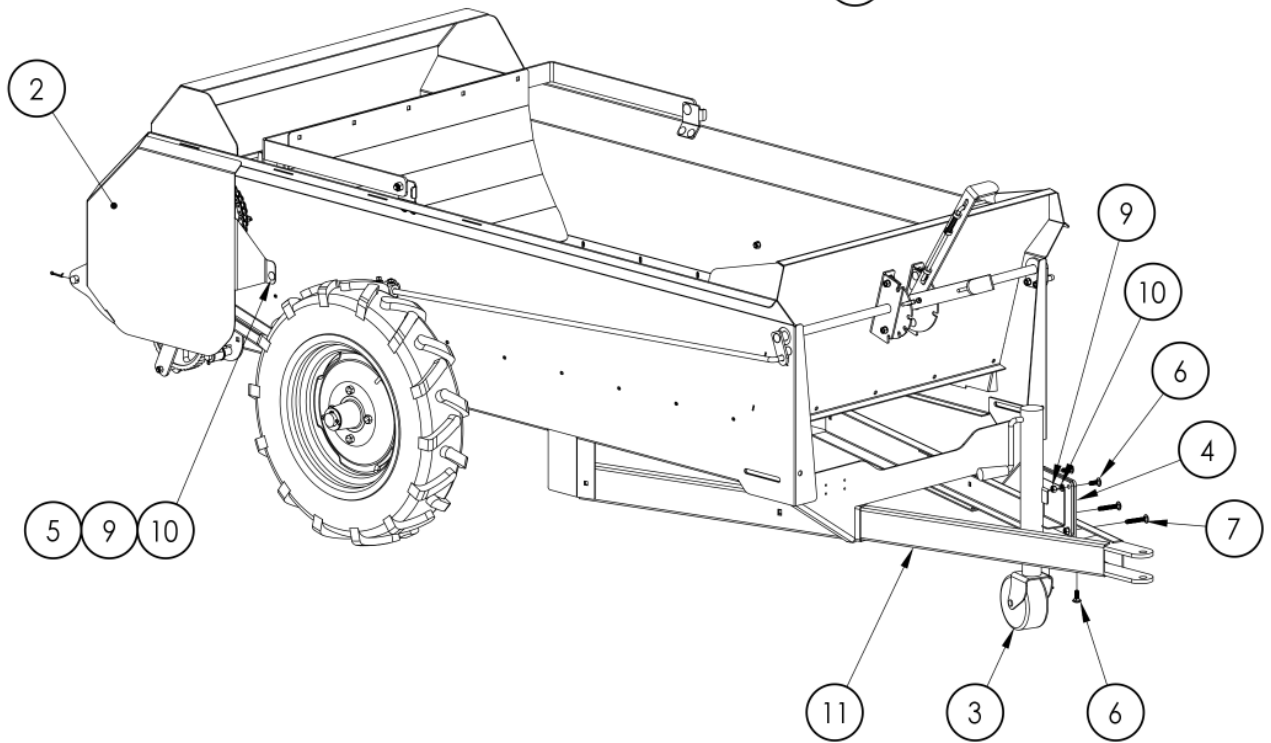
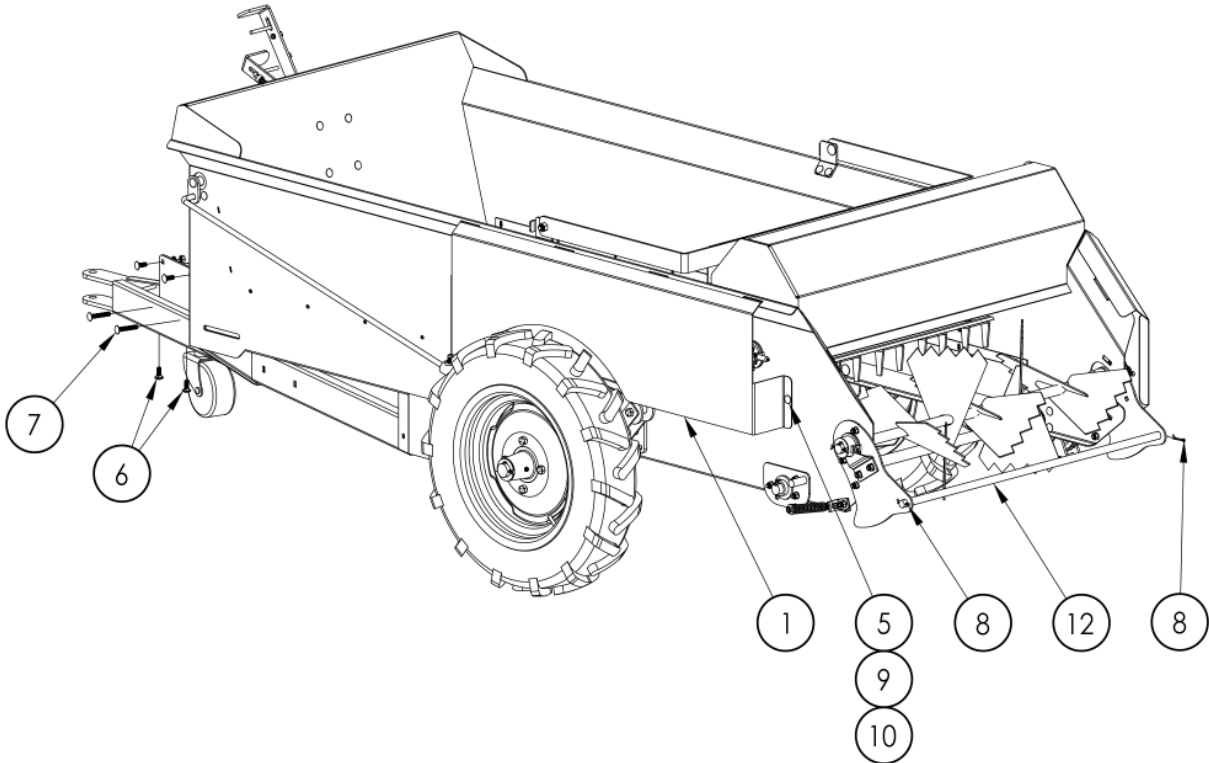


*For Reference with ABI Classic Ground Driven Spreaders
Manufactured After April 23, 2016*

abi ATTACHMENTS

© Copyright 2017 ABI Attachments

Ground Drive Shields Assembly

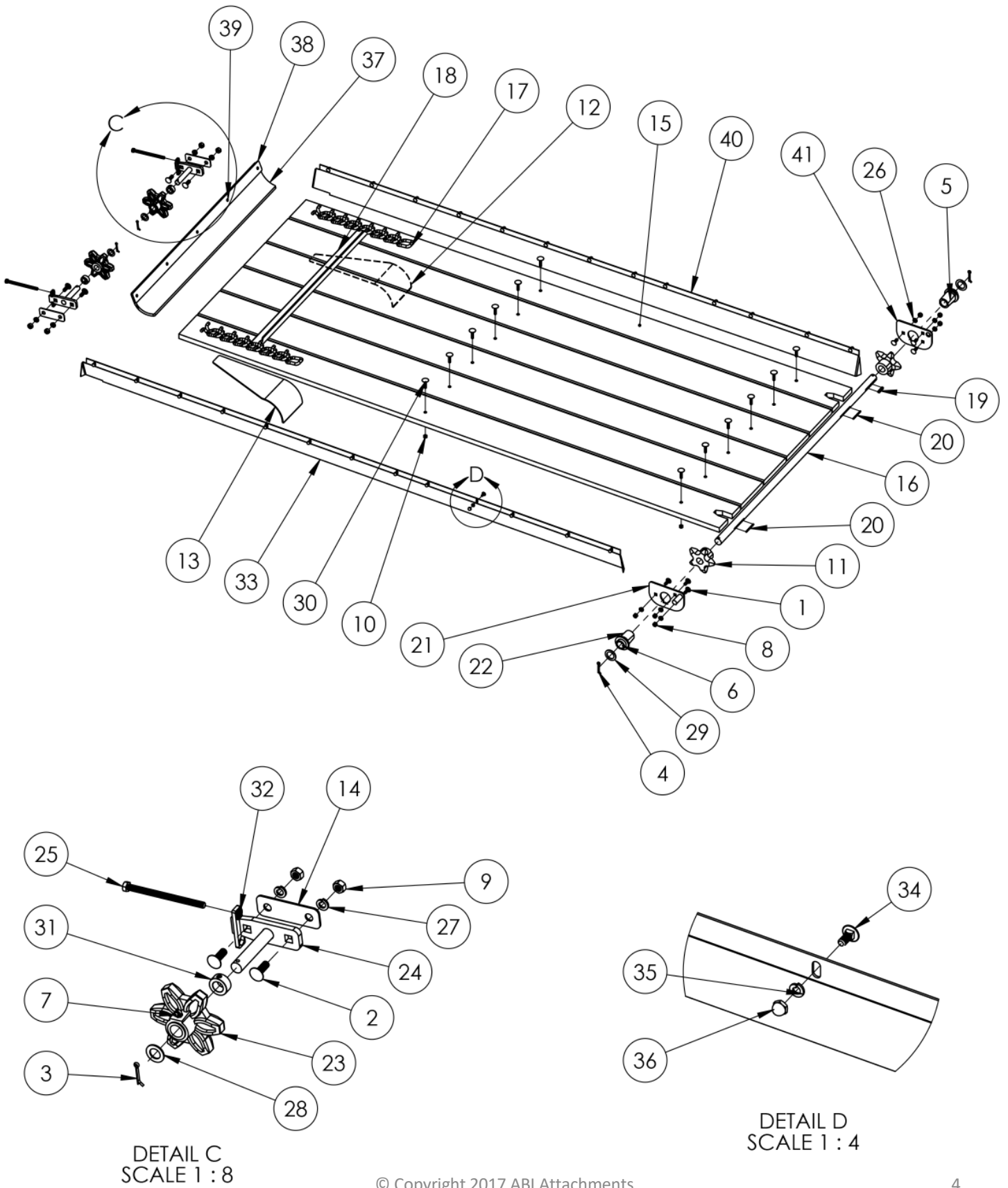


Ground Drive Shields Parts List

Item No.	Part No.	Description	QTY
1	LSP56MCS	main chain shield	1
2	LSP56WDS	web drive shield	1
3	PBMJ1200	10" sidewind wheel jack	1
4	LSP56WJM	wheel jack mount plate	1
5	CB 375-075	3/8 x 3/4" carriage bolt	4
6	CB 375-100	3/8 x 1" carriage bolt	4
7	CB 375-225	3/8 x 2-1/4" carriage bolt	2
8	CP 187-125	3/16 x 1-1/4" cotter pin	2
9	HN 375	3/8 hex nut	10
10	LW 375	3/8 lock washer	10
11	LSP56HC	bolt on hitch	1
12	RG56	rear guard for #50/65	1

Note: Part numbers are for reference only and may vary from model to model.

Ground Drive Web and Floor Assembly



DETAIL C
SCALE 1 : 8

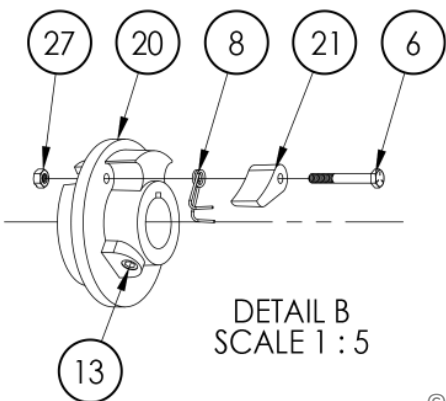
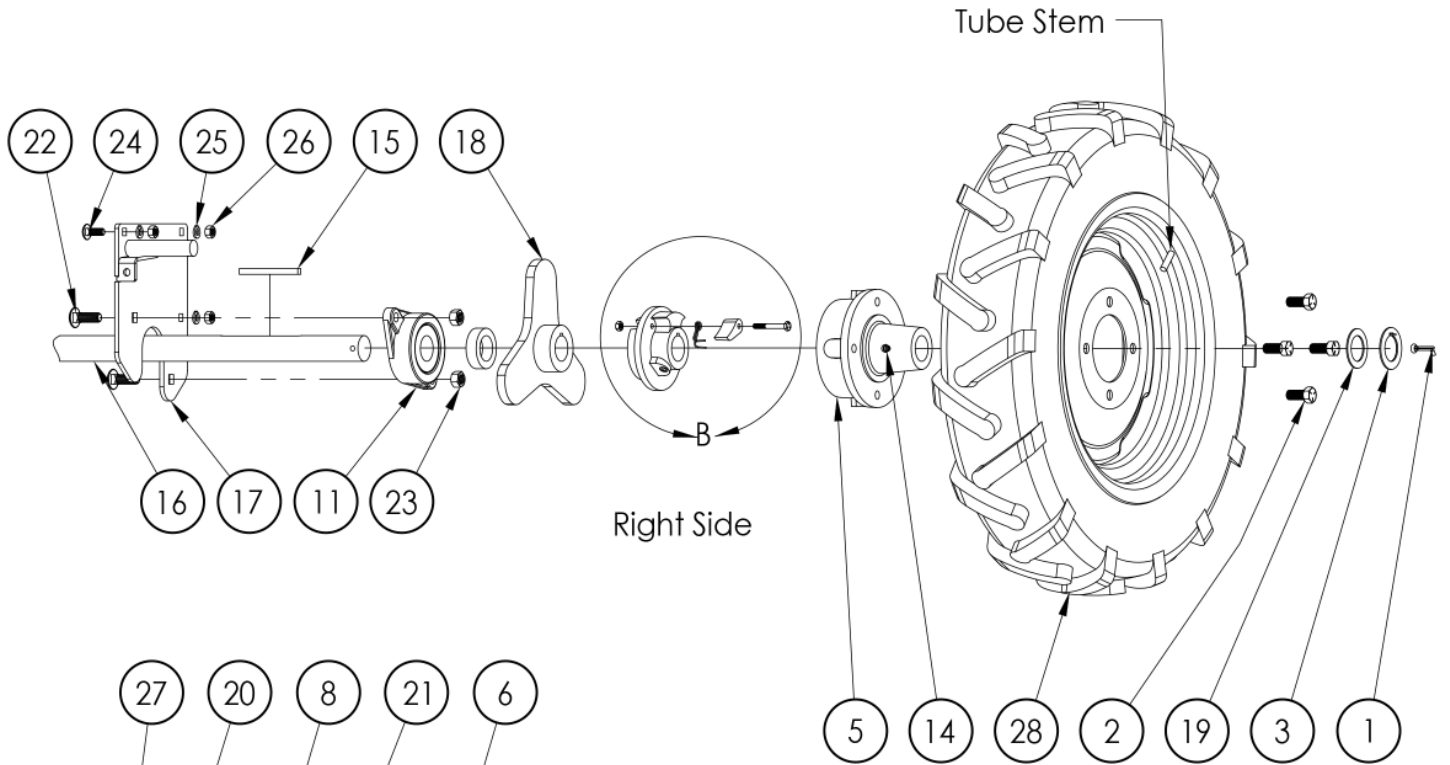
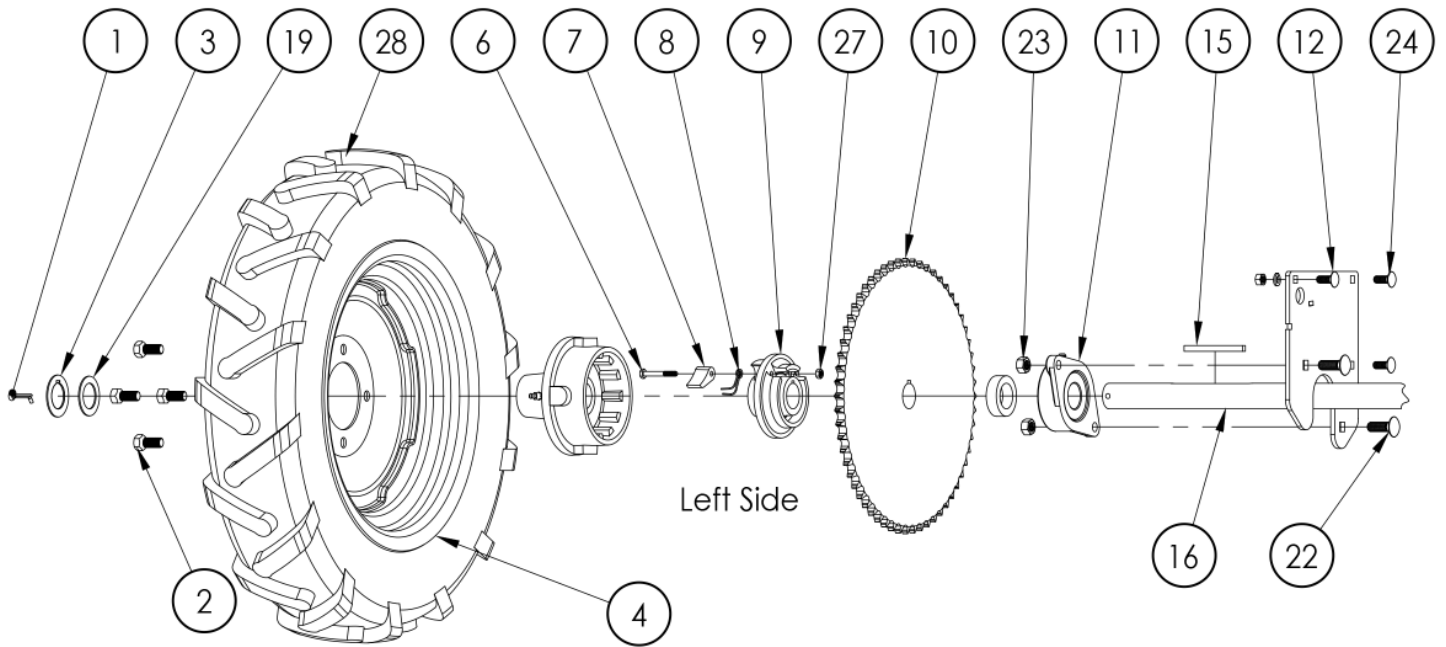
DETAIL D
SCALE 1 : 4

Ground Drive Web and Floor Parts List

*Note:
Part numbers are
for reference only
and may vary from
model to model.*

Item No.	Part No.	Description	QTY
1	CB 375-100	3/8 x 1" carriage bolt	8
2	CB 437-125	7/16 x 1-1/4" carriage bolt	4
3	CP 187-125	3/16 x 1-1/4" cotter pin	2
4	CP 250-150	1/4 x 1-1/2" cotter pin	2
5	GFH1684	1/8 NPT x 2-1/4" grease fitting	1
6	GFH1607	1/8 NPT x 1-1/4" grease fitting	1
7	GFH3010	1/4-28 65° grease fitting	2
8	HN 375	3/8 hex nut	8
9	HN 437	7/16 hex nut	4
10	HN 312	5/16 hex nut	12
11	LC315106	web drive sprocket, 1-1/16"	2
12	LSP100WSR	web slide right	1
13	LSP100WSL	web slide left	1
14	LSPWIP	web idler plate	2
15	PF50	3/4 x 6 x 76 poly floor board	6
16	LS50WDS	50 web drive shaft	1
17	TRP375	3/8 painted tee rod link	136
18	TS50	#50 web slat, 32-1/2"	11
19	KS250-100	1/4 x 1/4 x 1" key stock	1
20	KS250-150	1/4 x 1/4 x 1-1/2" key stock	2
21	LSP56LWBP	web bearing plate w/ litter pan post	1
22	LC331106	1-1/16" web drive bearing	2
23	LC313275	6T web idler sprocket, 3/4" bore	2
24	LSPWIB	web idler bracket	2
24A	LSPWIB-C	web idler, complete assembly	2
25	HBFT 375-500	3/8 x 5" full thread hex bolt	2
26	LW 375	3/8 split lock washer	8
27	LW 437	7/16 split lock washer	4
28	N14-0750P	3/4 machine washer	2
29	N14-1125P	1-1/8 machine washer	2
30	SB 313-150	5/16 x 1-1/2" step bolt	12
31	SC 075	3/4" shaft collar	2
32	SFN 375	3/8 serrated flange nut	2
33	LSP50FCPL	floor corner panel, left	1
34	CB 250-062	1/4 x 5/8" carriage bolt	20
35	LW 250	1/4 lock washer	20
36	HNA 250	1/4 acorn nut	20
37	RF50	#50 front rubber flap	1
38	LSP56RH	front rubber holder	1
39	HB 375-100	3/8 x 1" hex bolt	5
40	LSP50FCPR	floor corner panel, right	1
41	LSP56WBPR	LSP56LWBP w/o litter pan post	1

Ground Drive Wheel and Axle Assembly

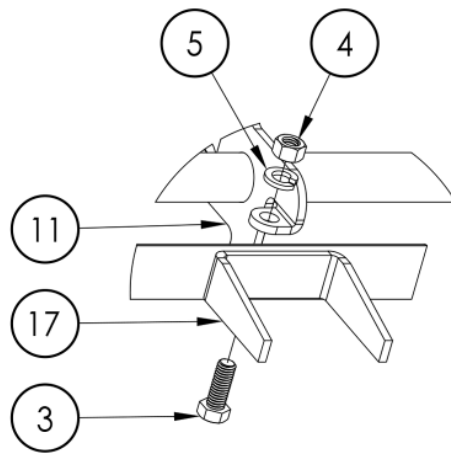
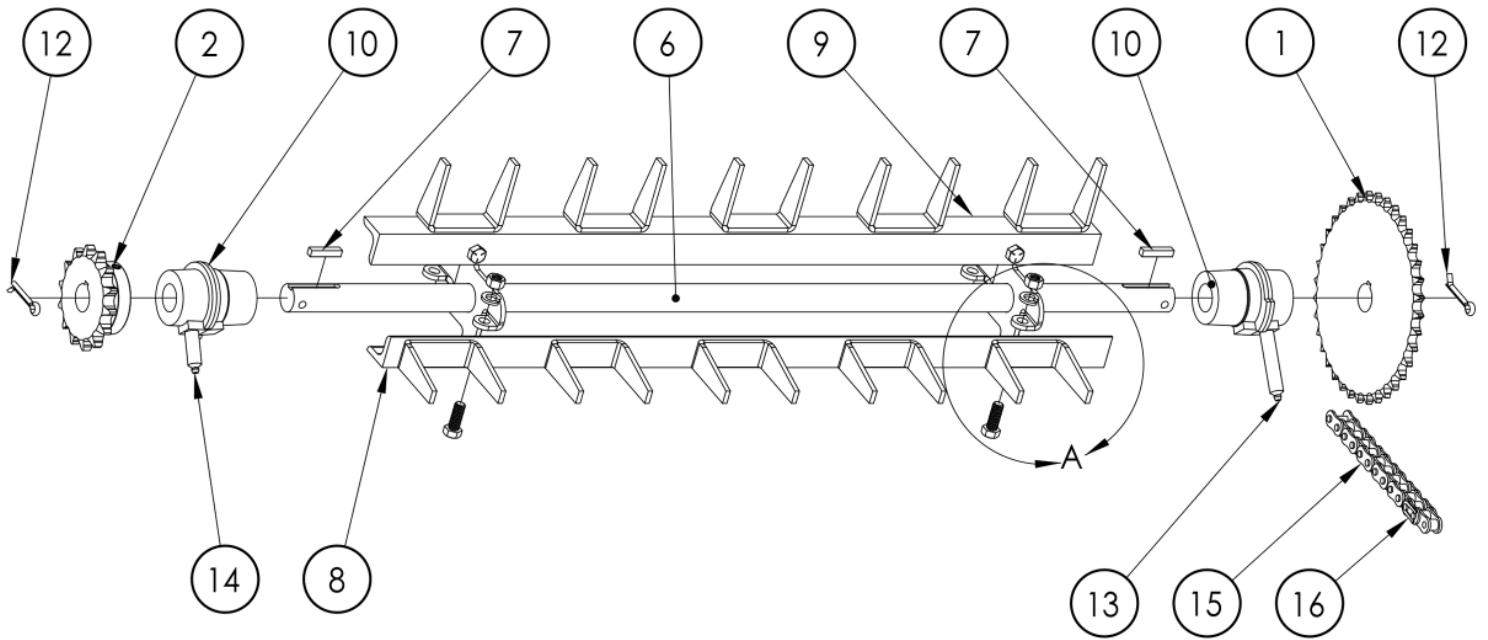


Ground Drive Wheel and Axle Assembly Parts List

Item No.	Part No.	Description	QTY
1	CP 250-175	1/4 x 1-3/4 cotter pin	2
2	A888BO	1/2" wheel bolts	8
3	LSP137SW	shaft/cotter pin washer	2
4	W1545W	15 x 4.5 4 bolt wheel	2
5	LC50RH	4 on 5 ratcheting hub	2
6	HB 250-200	1/4 x 2" hex bolt	2
7	LC50WPL	wheel pawl, left	1
8	SL1516	wheel pawl spring	2
9	LC50HBL	hub backer left	1
10	60B60X137	axle sprocket	1
11	BHCFT207-22	axle bearing	2
12	LSP56ABPL	left axle bearing plate	1
13	SS500-050	1/2 x 1/2 allen head set screw	2
14	GFH1637	1/4-28 45° grease fitting	2
15	KS312-362	5/16 x 3-5/8" key stock	2
16	LS56A	#50 axle	1
17	LSPABPR	right axle bearing plate	1
18	LSP25S	web drive star	1
19	N14-1375-Z	1-3/8" washer	2
20	LC50HBR	hub backer right	1
21	LC50WPR	wheel pawl, right	1
22	CB 500-150	1/2 x 1-1/2" carriage bolt	4
23	LN 500	1/2 lock nut	4
24	CB 375-100	3/8 x 1" carriage bolt	6
25	LW 375	3/8 lock washer	6
26	HN 375	3/8 hex nut	6
27	LN 250	1/4 lock nut	2
28	WT500156	500x15 6Ply Tire	2
28A	WA500154WR	5.00-15 Wheel Assy, Right	1
28B	WA500154WL	5.00-15 Wheel Assy, Left	1
29	WI515TR15	5.00 x 15 Inner Tube	2

Note: Part numbers are for reference only and may vary from model to model.

Ground Drive Beater Assembly



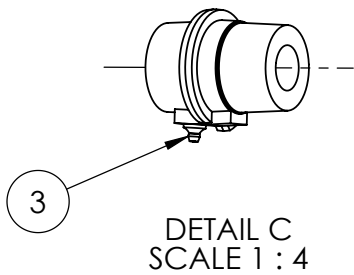
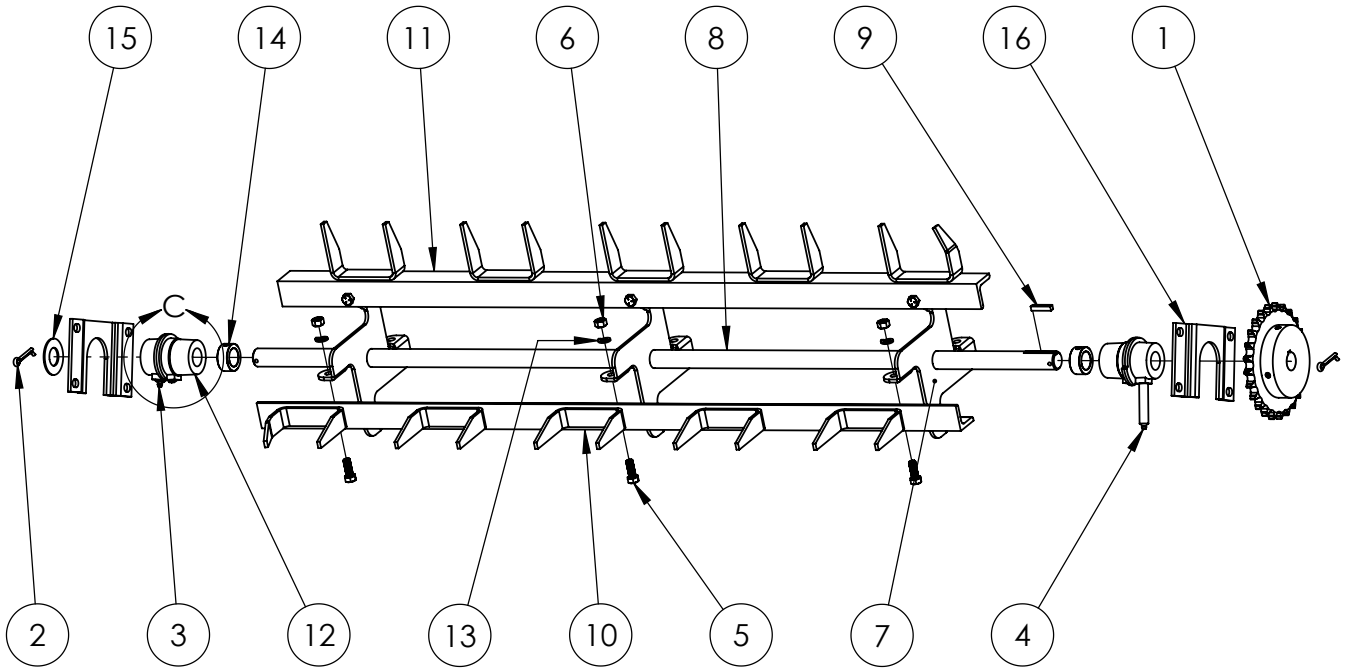
DETAIL A
SCALE 1 : 4

Ground Drive Beater Assembly Parts List

Item No.	Part No.	Description	QTY
1	50B36X100	#50 36 tooth x 1" sprocket	1
2	60B14X100	#60 14 tooth x 1" sprocket	1
3	HB 375-100	3/8 x 1" hex bolt	8
4	HN 375	3/8" hex nut	8
5	LW 375	3/8" lock washer	8
6	LS50BS-H	#50 beater shaft with heads	1
7	KS250-100	1/4 x 1" key stock	2
8	LB50BBL	34" beater bar, left hand side	2
9	LB50BBR	34" beater bar, right hand side	2
10	LC273100	273 bearing 1" bore	2
11	LSP55TBC	cylinder head	2
12	CP 250-150	1/4 x 1-1/2" cotter pin	2
13	GFH1684	1/8-NPT x 2-1/4" grease fitting	1
14	GFH1607	1/8-NPT x 1-1/4" grease fitting	1
15	RC5045	#50 wide spread chain	1
16	RC50CO	#50 connecting link	1
17	LSPBT	beater tooth	20

Note: Part numbers are for reference only and may vary from model to model.

Ground Drive Top Beater Assembly (Models 85 and Larger Only)

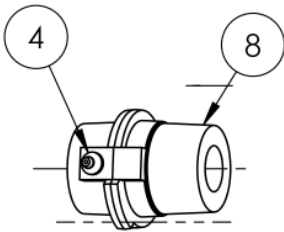
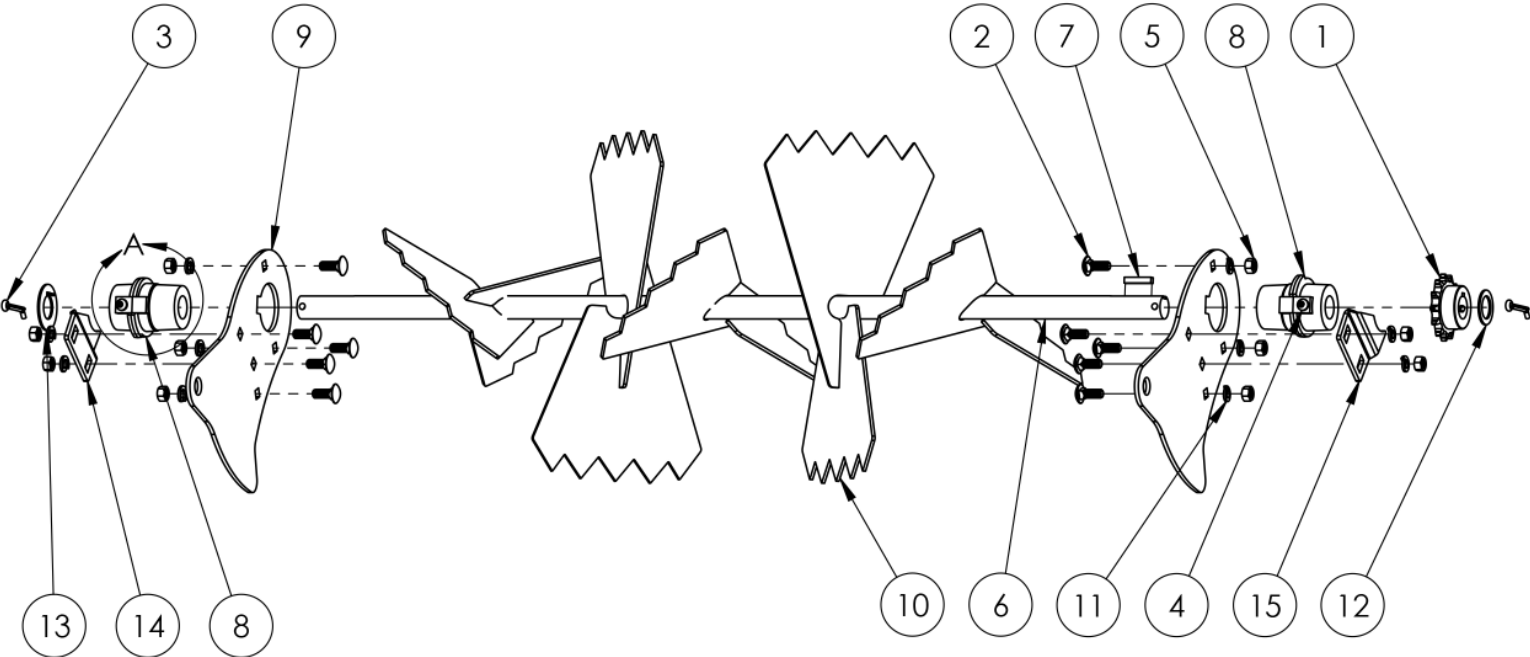


Ground Drive Top Beater Assembly Parts List (Models 85 and Larger Only)

Item No.	Part No.	Description	QTY
1	60B25X100	top beater sprocket	1
2	CP-250-150	1/4 x 1-1/2" cotter pin	2
3	GFH1610	1/8 NPT straight grease fitting	1
4	GFH1684	1/8 NPT straight grease fitting, 2-1/4" long	1
5	HB 375-100	3/8 x 1" hex bolt	12
6	HN 375	3/8 hex nut	12
7	LSP185TCH	top beater head	3
8	LS85TBS	85/100 top beater shaft	1
8A	LS85TBS-H	85/100 top beater shaft w/ heads	1
9	KS250-100	1/4 x 1" key	1
10	LB85TBBL	45" top beater bar, left	2
11	LB85TBBR	45" top beater bar, right	2
12	LC273100	273 bearing, 1" bore	2
13	LW 375	3/8 lock washer	12
14	SC 100	1" shaft collar	2
15	LSP100SW	1" shaft cotter pin washer	1
16	LSP110KP	top beater bearing keeper plate	2

Note: Part numbers are for reference only and may vary from model to model.

Ground Drive Widespread Assembly

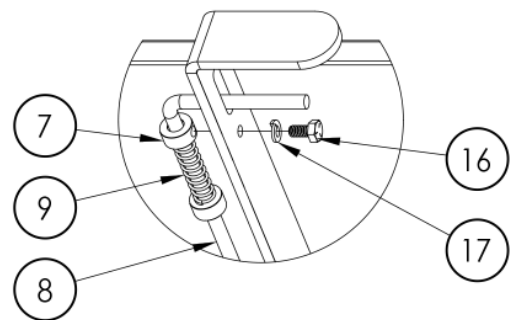
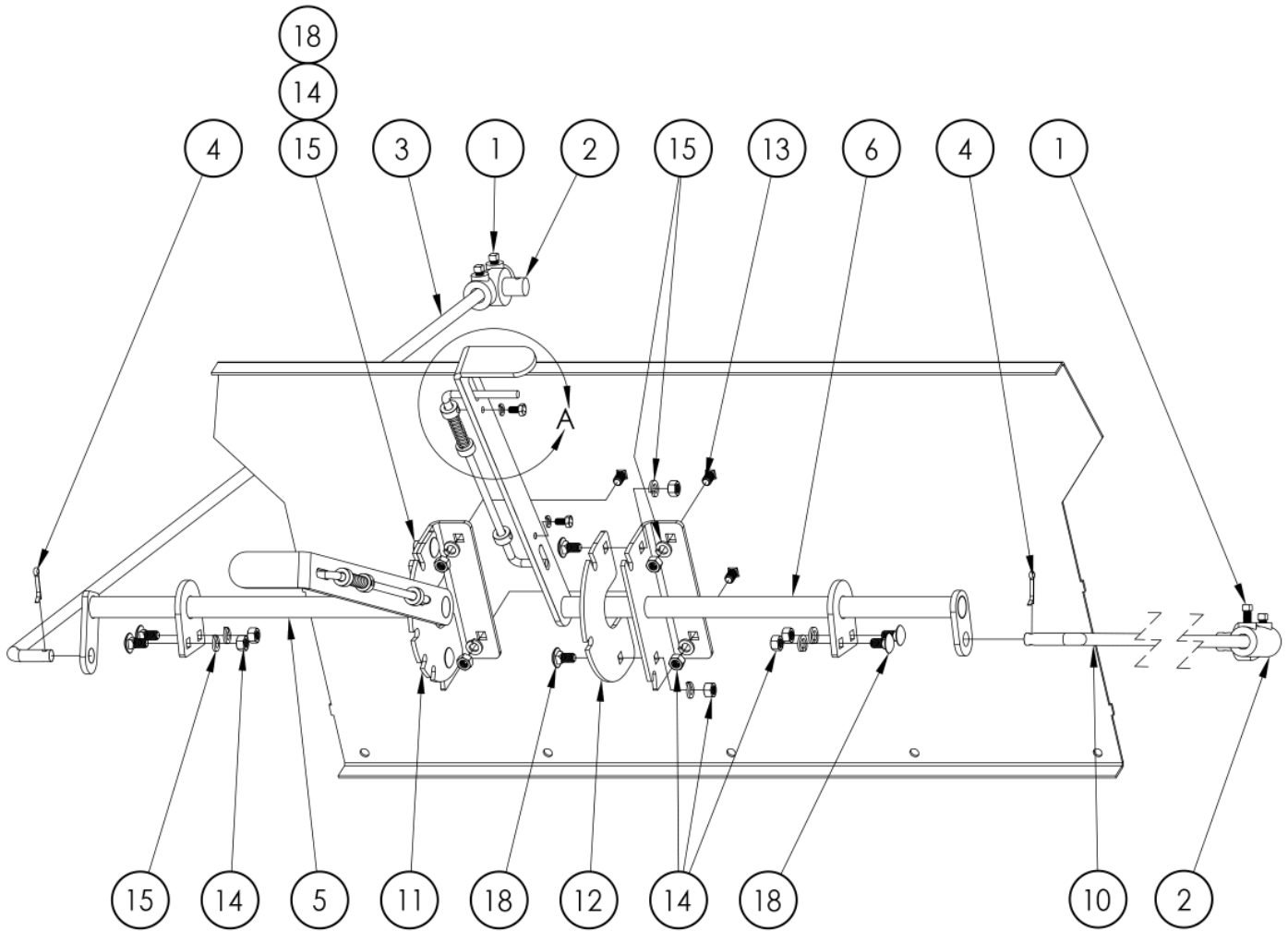


Ground Drive Widespread Assembly Parts List

Item No.	Part No.	Description	QTY
1	50B13X100	widespread sprocket	1
2	CB 375-100	3/8 x 1" carriage bolt	10
3	CP 250-150	1/4 x 1-1/2" cotter pin	2
4	GFH1610	1/8 NPT straight grease fitting	2
5	HN 375	3/8 hex nut	10
6	LS50WSS	50/65 widespread shaft	1
6A	LS50WSS-P	50/65 widespread shaft w/ paddles	1
7	KS250-100	1/4 x 1" key	1
8	LC273100	273 bearing 1" bore	2
9	LSP56LPS	widespread bearing plate	2
10	LSPWSP	widespread paddle	10
11	LW 375	3/8 lock washer	10
12	N14-1000P	1" machine washer	2
13	LSP100SW	1" cotter pin/shaft washer	1
14	LSP56WKPL	widespread keeper plate, left	1
15	LSP56WKPR	widespread keeper plate, right	1

Note: Part numbers are for reference only and may vary from model to model.

Ground Drive Control Levers Assembly

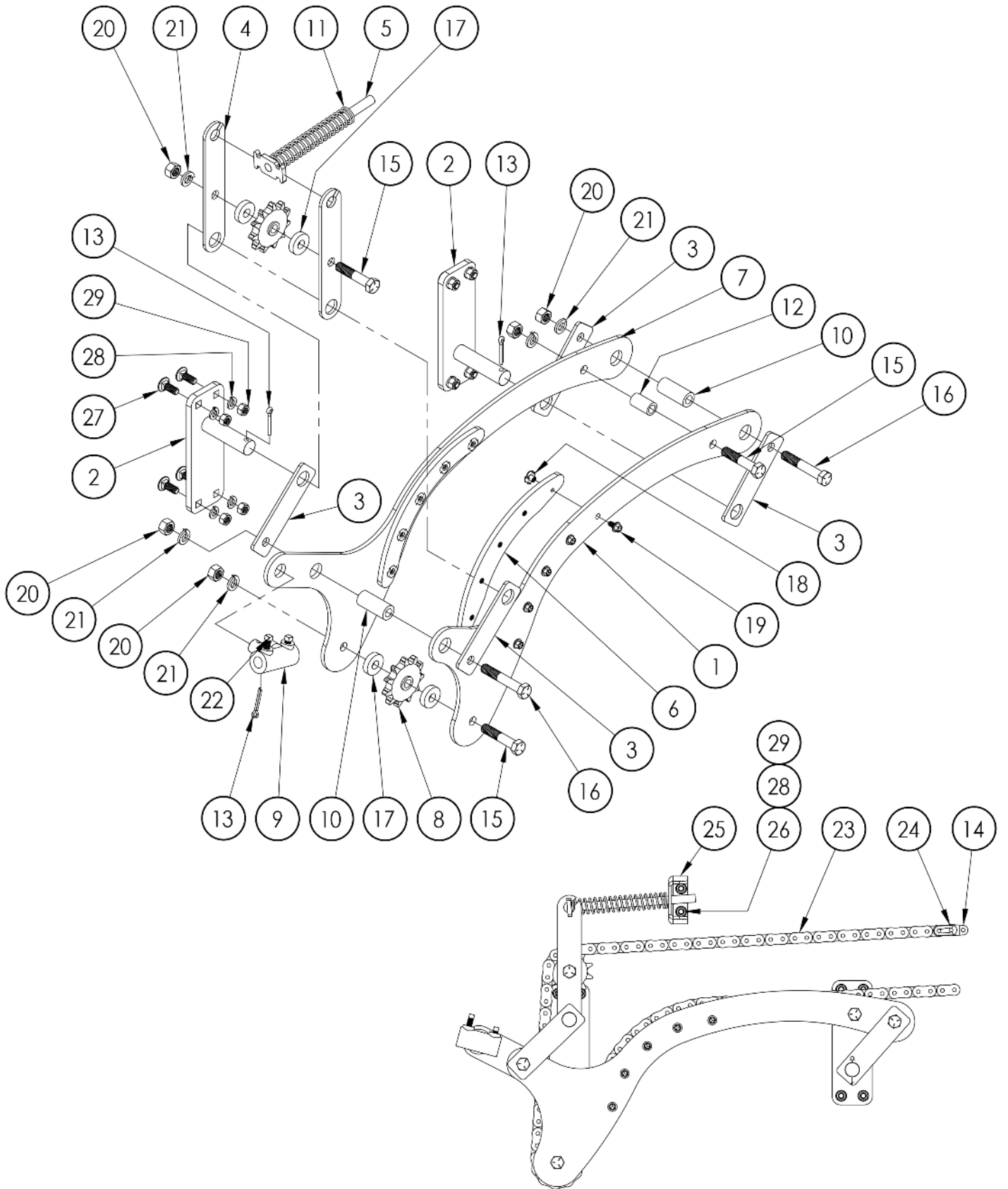


Ground Drive Control Levers Assembly Parts List

Item No.	Part No.	Description	QTY
1	SS313-075Z	5/16 x 3/4" square head set screw	4
2	LC8C3	double set tee collar	2
3	LR5656	9/16 x 56" #50 lever rod, web drive	1
4	CP 187-100	3/16 x 1" cotter pin	2
5	LA56W	#50 web lever assembly	1
6	LA56C	#50 chain lever assembly	1
7	SC 037	3/8" shaft collar	6
8	LR31H	lever handle rod	2
9	SL6812143	25/50/65 lever handle spring	2
10	LR5642	9/16 x 42" #50 lever rod, beater drive	1
11	LSP56WNP	#50/65 web notch plate	1
12	LSP56CNP	#50/65 chain notch plate	1
13	CB 375-075	3/8 x 3/4" carriage bolt	4
14	HN 375	3/8 hex nut	12
15	LW 375	3/8 lock washer	12
16	HB 250-050	1/4 x 1/2" hex bolt	4
17	LW 250	1/4 lock washer	4
18	CB 375-100	3/8 x 1" carriage bolt	8

Note: Part numbers are for reference only and may vary from model to model.

Ground Drive Chain Lift Arm Assembly

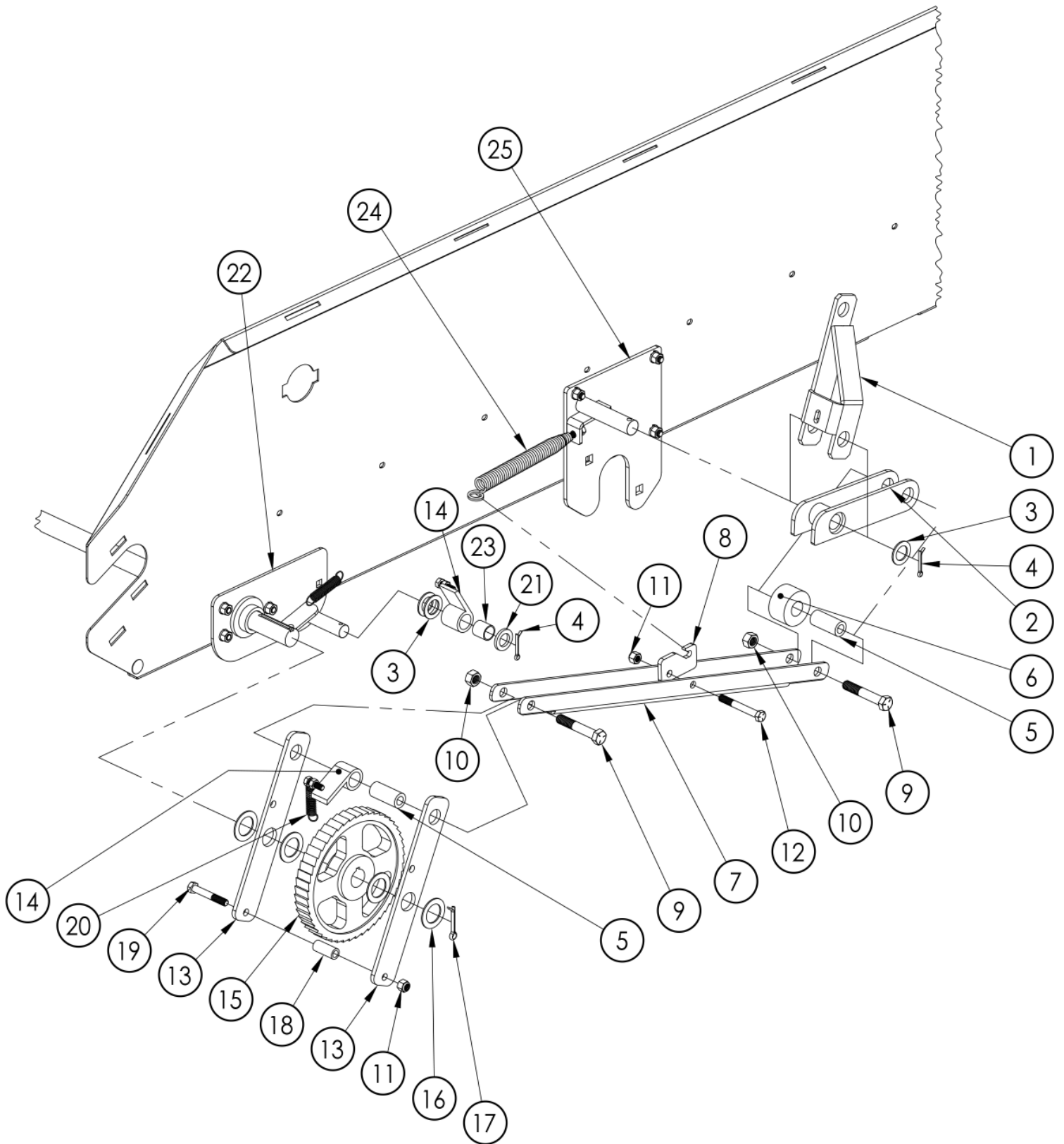


Ground Drive Chain Lift Arm Assembly Parts List

Item No.	Part No.	Description	QTY
1	LSP56CLA	chain lifting arm	1
2	LSP56CLA-1	mounting bracket	2
3	LSP56CLA-2	lift arm	4
4	LSP56CLA-3	idler arm	2
5	LSP56CLA-4	spring holder	1
6	CS56	chain slide	2
7	LSP56CLA-L	chain lift arm with rod hole	1
8	60BB1150	#60 x 11 idler sprocket	2
9	LC8C3	double set tee collar	1
10	SB78122	steel bushing 7/8 x 1/2 x 2"	2
11	SLS56AS	25/50/65 chain arm spring	1
12	SB78121516	steel bushing 7/8 x 1/2 x 1-5/16"	1
13	CP-187-125	3/16 x 1-1/4" cotter pin	3
14	RC60OF	#60 offset/half link	1
15	HB 500-250	1/2 x 2-1/2" hex bolt	3
16	HB 500-300	1/2 x 3" hex bolt	2
17	LSP56CLAW	spacing washer	4
18	TN 250	1/4" tee nut	10
19	SFB 250-050	1/4 x 1/2" serrated flange bolt	10
20	HN 500	1/2" hex nut	5
21	LW 500	1/2" lock washer	5
22	SS313-075Z	5/16 x 3/4" square head set screw	2
23	RC6096	#60 main drive chain	1
24	RC60	#60 connecting link	1
25	LSP56CLA-7	rod bracket	1
26	CB 375-075	3/8 x 3/4 carriage bolt	2
27	CB 375-100	3/8 x 1 carriage bolt	8
28	LW 375	3/8 lock washer	10
29	HN 375	3/8 hex nut	10

Note: Part numbers are for reference only and may vary from model to model.

Ground Drive Web Drive Assembly

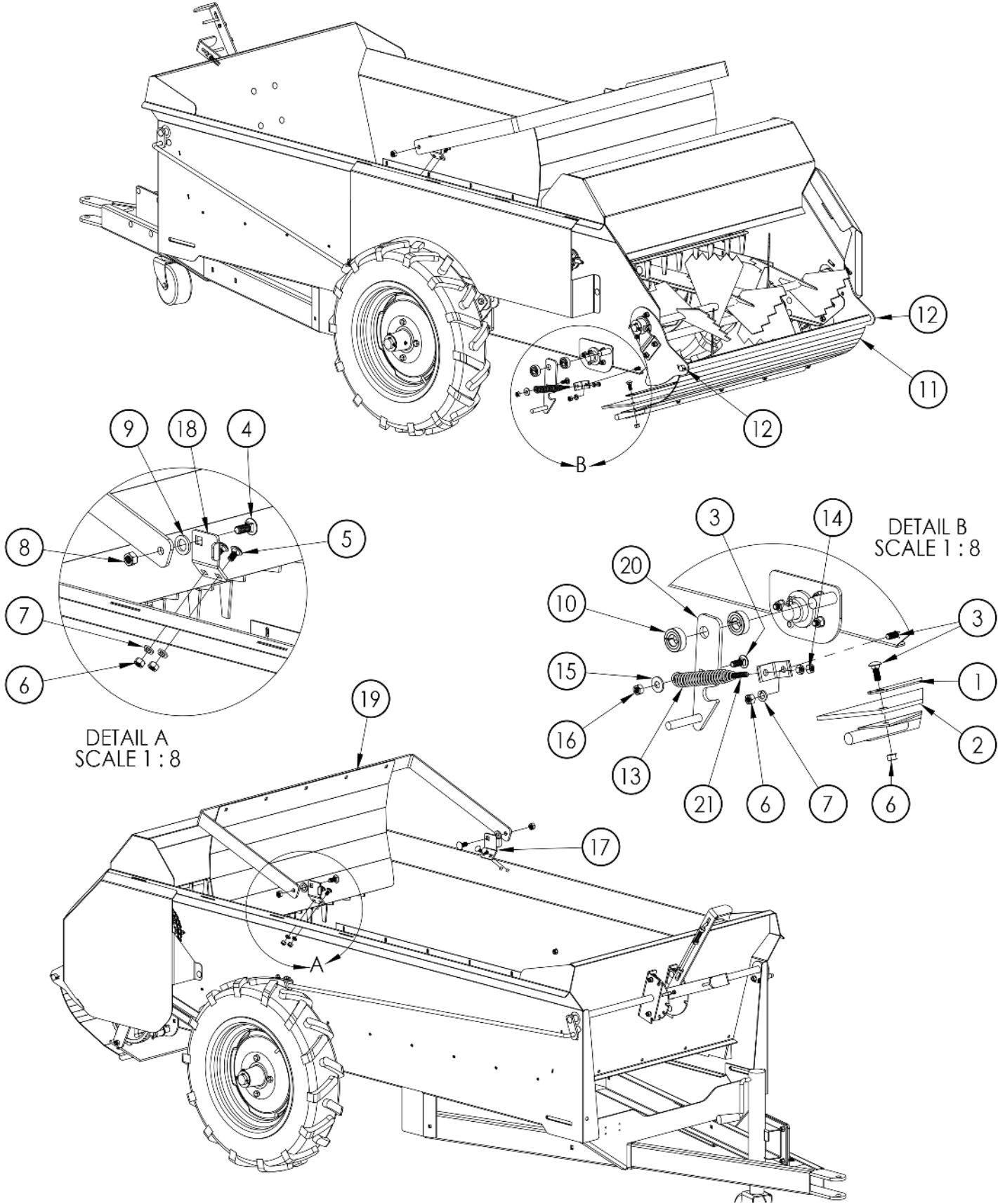


Ground Drive Web Drive Assembly Parts List

Item No.	Part No.	Description	QTY
1	LSP25YA	yoke arm	1
2	LSP56WRA	web roller arm	1
3	N14-0875-P	7/8" machine washer	3
4	CP-187-125	3/16 x 1-1/4" cotter pin	2
5	BB0814-16	1/2 x 7/8 x 2" bronze bushing	2
6	LC514	small roller	1
7	LSP56WPA	web push arm	1
8	LSP56SB	spring bracket	1
9	HB 500-300	1/2 x 3" hex head bolt	2
10	LN 500	1/2 lock nut	2
11	LN 375	3/8 lock nut	2
12	HB 375-300	3/8 x 3" hex head bolt	1
13	LSP56PA	web pawl arm	2
14	WP50D	web drive pawl	2
15	LC25RG	small web ratchet gear	1
16	N14-1125-Z	1-1/8 machine washer	6
17	CP-250-150	1/4 x 1-1/2" cotter pin	1
18	SB38112	3/8" ID x 1-1/2" long spacer	1
19	HB 375-250	3/8 x 2-1/2" hex head bolt	1
20	SL1439	web pawl spring	2
21	N14-0750-P	3/4" machine washer	2
22	LSP56WBPR	right web bearing plate	1
23	BB838-06	3/4 x 7/8 x 7/8" bronze bushing	1
24	SLS955	web arm extension spring	1
25	LSP56ABPR	right axle bearing plate	1

Note: Part numbers are for reference only and may vary from model to model.

Ground Drive Litter Pan and Tailgate Assembly



Ground Drive Litter Pan and Tailgate Assembly Parts List

Item No.	Part No.	Description	QTY
1	LSP56RH	rubber holder	1
2	RF50	50/65 front rubber	1
3	CB 375-100	3/8 x 1" carriage bolt	7
4	CB 500-125	1/2 x 1-1/4" carriage bolt	2
5	CB 375-075	3/8 x 3/4" carriage bolt	4
6	HN 375	3/8 hex nut	10
7	LW 375	3/8 lock washer	5
8	LN 500	1/2 lock nut	2
9	N14-0750P	3/4" 14ga washer	2
10	SC0750-2	split shaft collar, zinc	2
11	LSP56LP	litter pan	1
12	CP 187-125	3/16 x 1-1/4" cotter pin	2
13	SLS955	spring	1
14	HN 313	5/16 hex nut	2
15	FL 375	3/8 flat washer	1
16	LN 375	3/8 lock nut	1
17	LSPTGBS-L	tailgate bracket, right	1
18	LSPTGBS-R	tailgate bracket, left	1
19	LSP50TGP	tailgate	1
20	LSP56LPL	litter pan latch	1
21	CB 313-200	5/16 x 2" carriage bolt	1

Note: Part numbers are for reference only and may vary from model to model.