



(en) **Operator's Manual**
 (es) **Manual del Operario**
 (fr) **Manuel de l'opérateur**



Model 120000

Power Built™ 825/850/875/900 Series™
Intek™ I/C® 825/850/875/900 Series™
I/C® 825/850/875 Series™

Model 150000

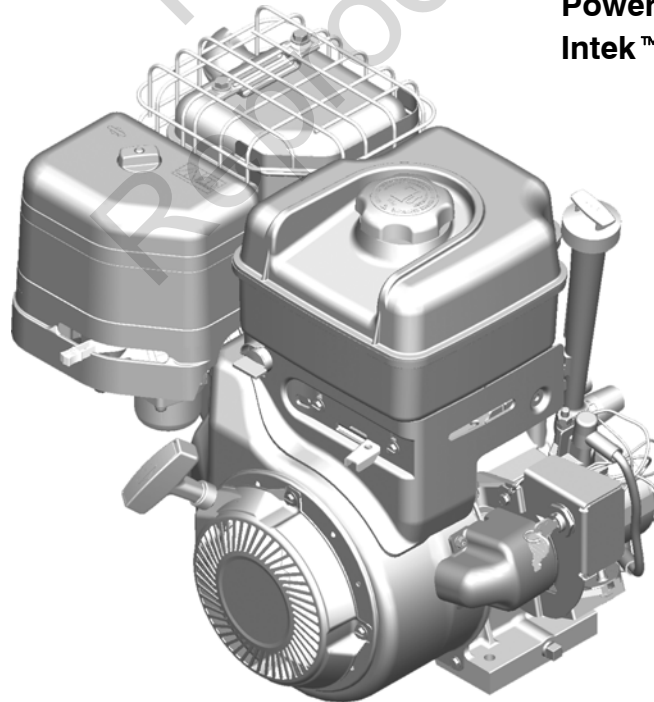
Power Built™ 1100/1125 Series™

Model 200000

Power Built™ 1350/1450 Series™
Intek™ I/C® 1350/1450 Series™
I/C® 1450 Series™

Model 210000

Power Built™ 1500/1575 Series™
Intek™ I/C® 1500/1575 Series™
1550/1650 Series™



Briggs & Stratton is a registered trademark of Briggs & Stratton Corporation

© 2011 Briggs & Stratton Corporation, Milwaukee, WI, USA. All rights reserved.

Form No. 277040TRI
Revision: J

English

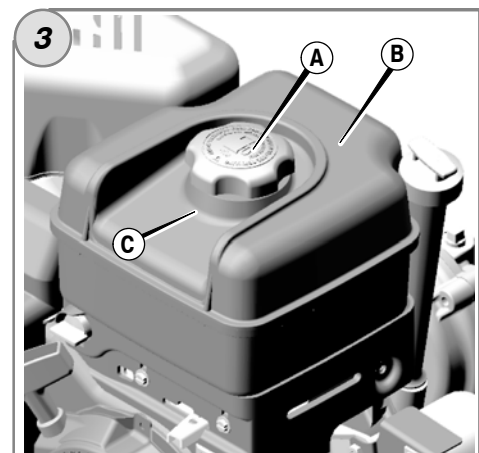
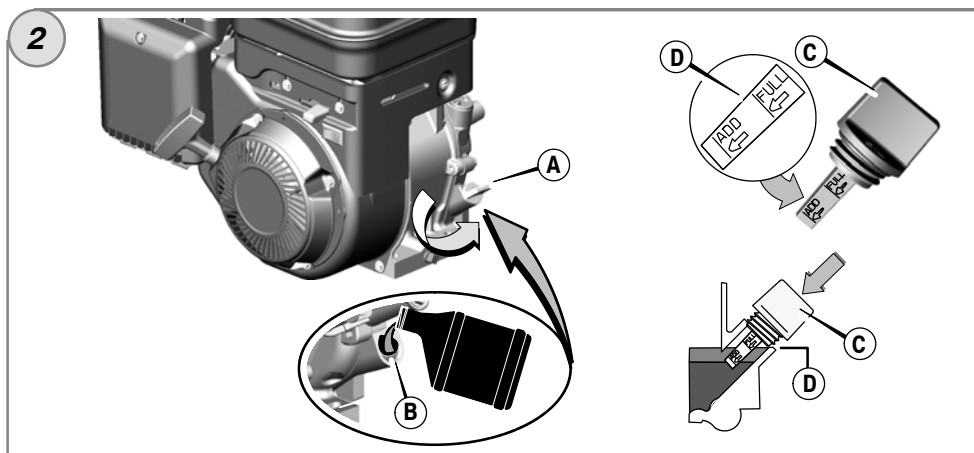
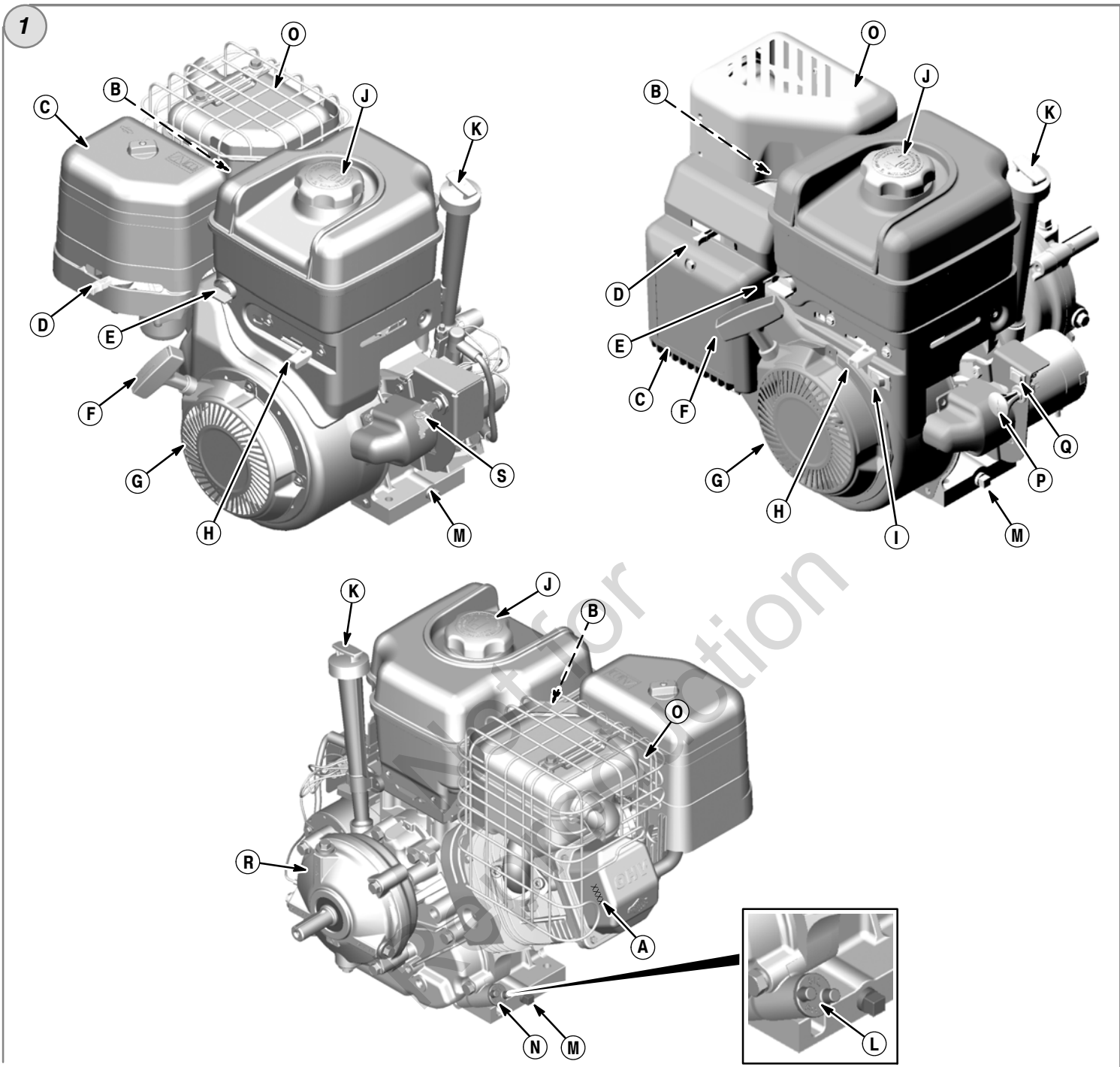
en

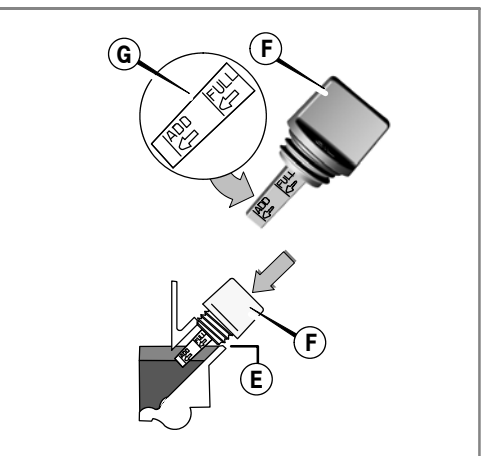
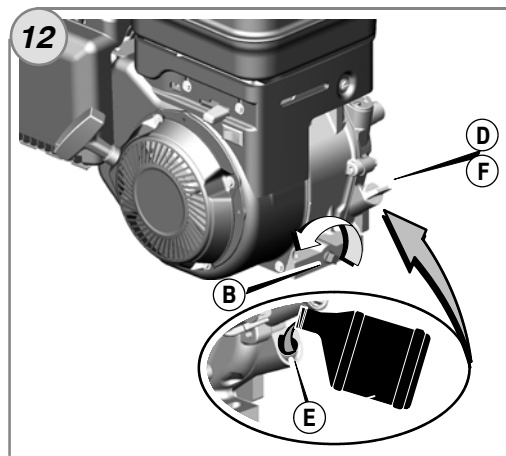
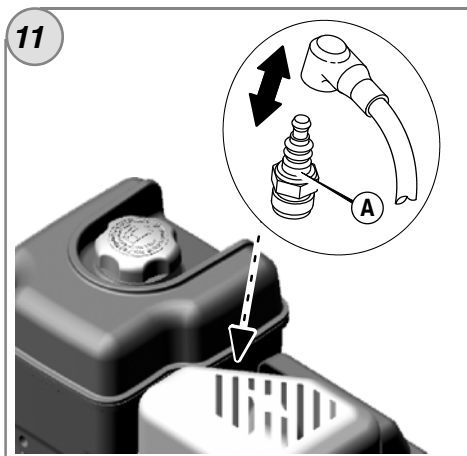
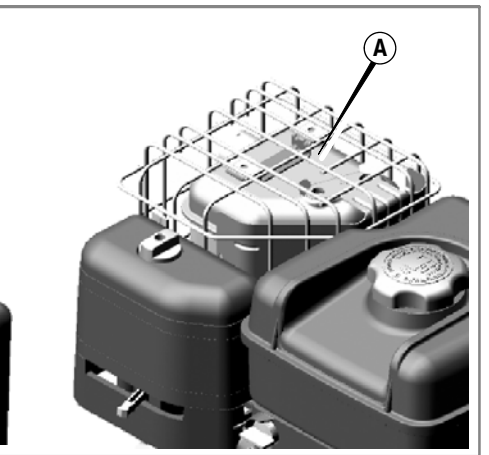
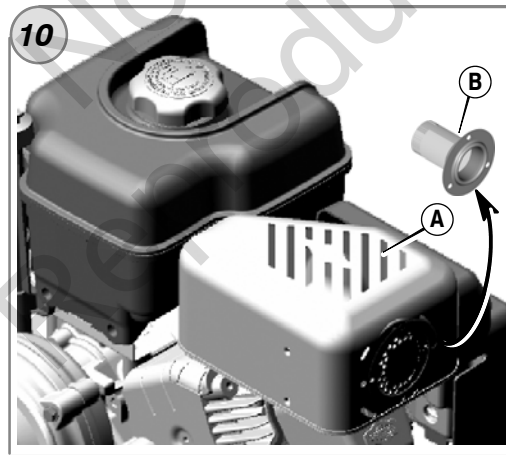
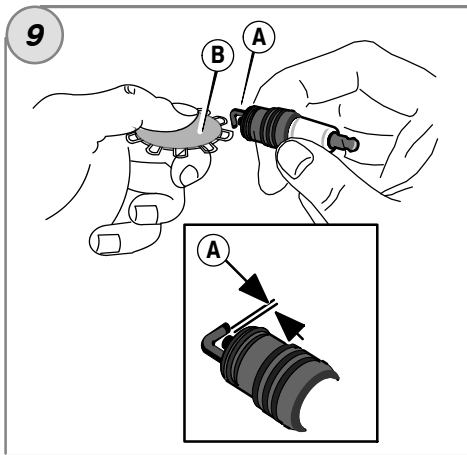
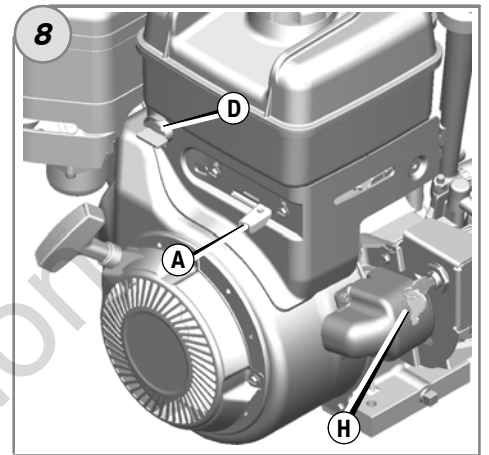
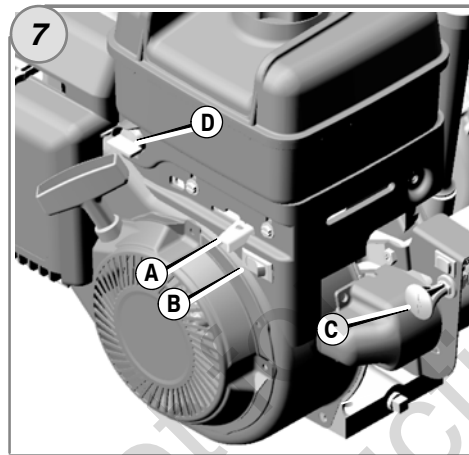
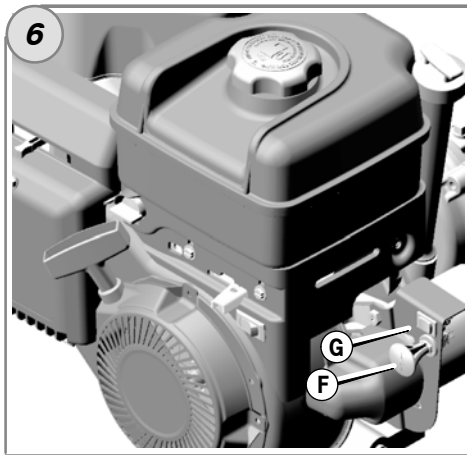
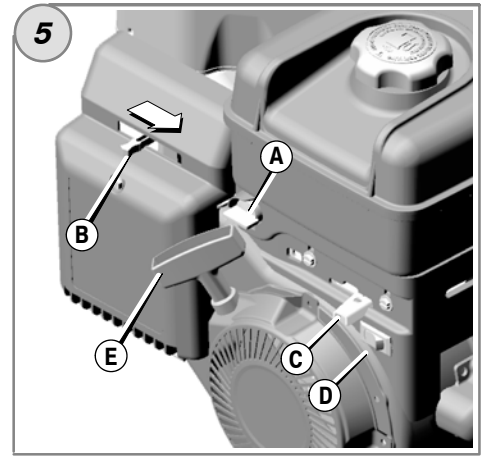
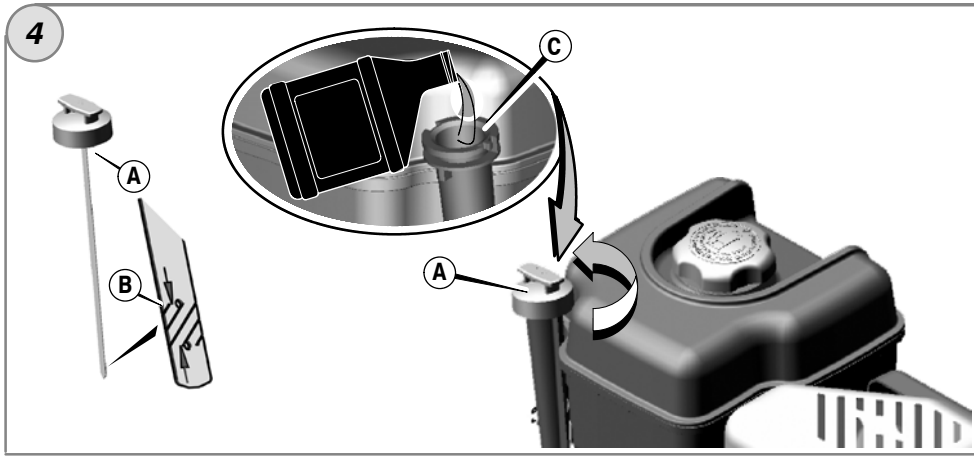
Español

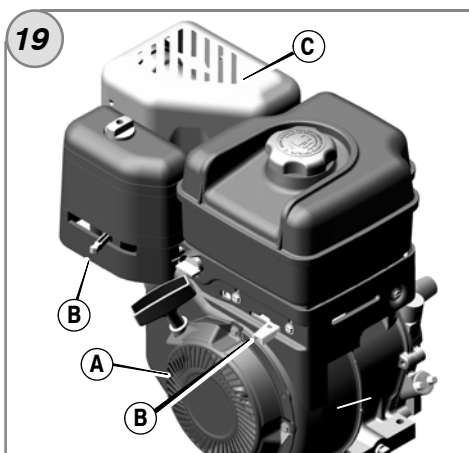
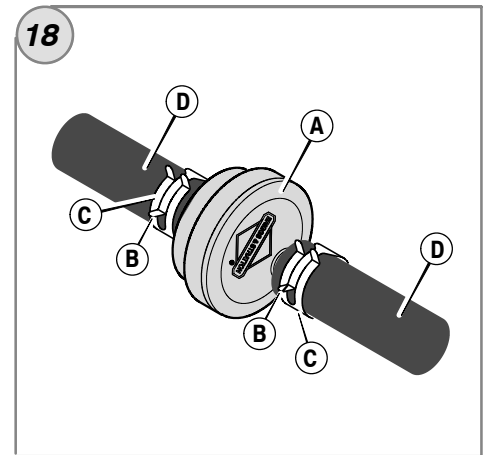
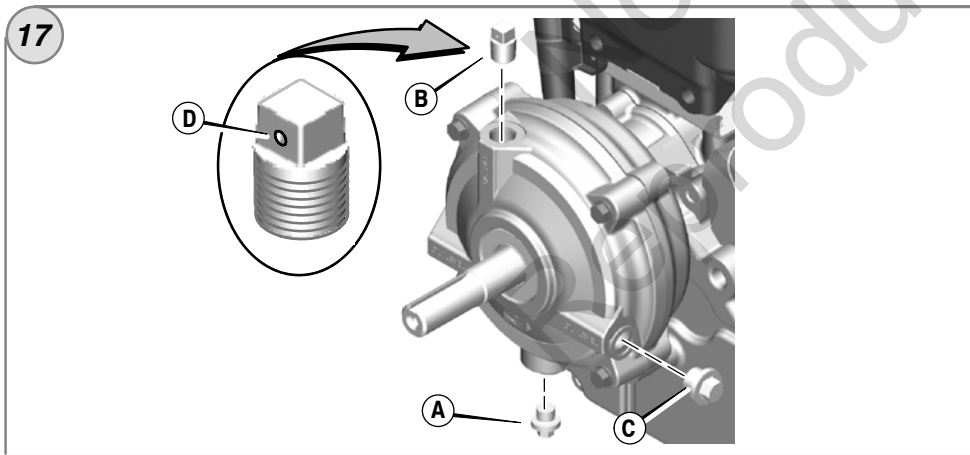
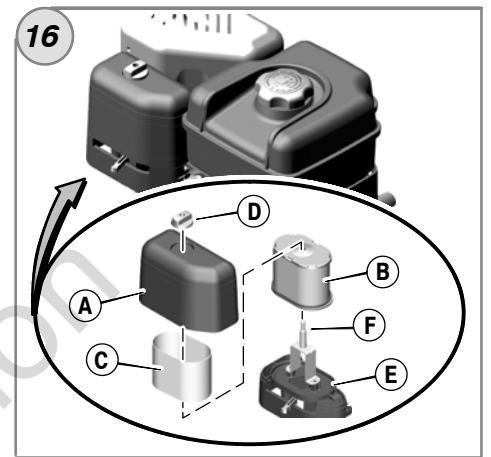
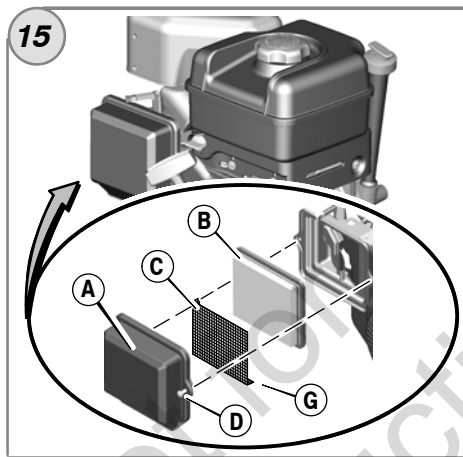
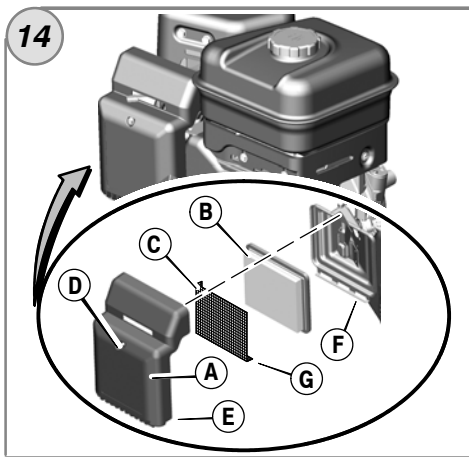
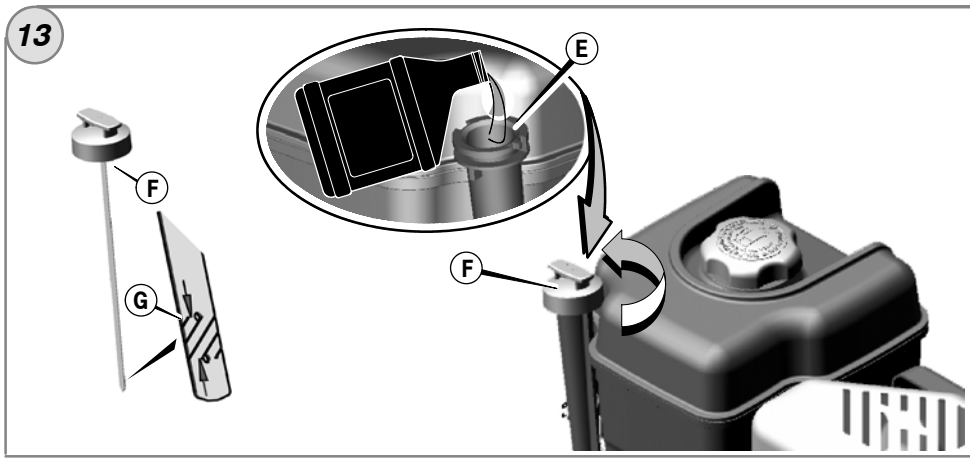
es

Français

fr







General Information

This manual contains safety information to make you aware of the hazards and risks associated with engines and how to avoid them. It also contains instructions for the proper use and care of the engine. Because Briggs & Stratton Corporation does not necessarily know what equipment this engine will power, it is important that you read and understand these instructions and the instructions for the equipment. **Save these original instructions for future reference.**

For replacement parts or technical assistance, record below the engine model, type, and code numbers along with the date of purchase. These numbers are located on your engine (see the **Features and Controls** page).

Date of purchase: _____
MM/DD/YYYY

Engine model: _____
Model: Type: Code:

Power Rating

The gross power rating for individual gas engine models is labeled in accordance with SAE (Society of Automotive Engineers) code J1940 (Small Engine Power & Torque Rating Procedure), and rating performance has been obtained and corrected in accordance with SAE J1995 (Revision 2002-05). Torque values are derived at 3060 RPM; horsepower values are derived at 3600 RPM. The gross power curves can be viewed at www.BRIGGSandSTRATTON.COM. Net power values are taken with exhaust and air cleaner installed whereas gross power values are collected without these attachments. Actual gross engine power will be higher than net engine power and is affected by, among other things, ambient operating conditions and engine-to-engine variability. Given the wide array of products on which engines are placed, the gas engine may not develop the rated gross power when used in a given piece of power equipment. This difference is due to a variety of factors including, but not limited to, the variety of engine components (air cleaner, exhaust, charging, cooling, carburetor, fuel pump, etc.), application limitations, ambient operating conditions (temperature, humidity, altitude), and engine-to-engine variability.

Due to manufacturing and capacity limitations, Briggs & Stratton may substitute an engine of higher rated power for this Series engine.

Operator Safety

SAFETY AND CONTROL SYMBOLS



The safety alert symbol is used to identify safety information about hazards that can result in personal injury. A signal word (DANGER, WARNING, or CAUTION) is used with the alert symbol to indicate the likelihood and the potential severity of injury. In addition, a hazard symbol may be used to represent the type of hazard.

DANGER indicates a hazard which, if not avoided, **will result in death or serious injury.**

WARNING indicates a hazard which, if not avoided, **could result in death or serious injury.**

CAUTION indicates a hazard which, if not avoided, **could result in minor or moderate injury.**

NOTICE indicates a situation that **could result in damage to the product.**

WARNING

Certain components in this product and its related accessories contain chemicals known to the State of California to cause cancer, birth defects, or other reproductive harm. Wash hands after handling.

WARNING

The engine exhaust from this product contains chemicals known to the State of California to cause cancer, birth defects, or other reproductive harm.

WARNING

Briggs & Stratton Engines are not designed for and are not to be used to power: fun-karts; go-karts; children's, recreational, or sport all-terrain vehicles (ATVs); motorbikes; hovercraft; aircraft products; or vehicles used in competitive events not sanctioned by Briggs & Stratton. For information about competitive racing products, see www.briggsracing.com. For use with utility and side-by-side ATVs, please contact Briggs & Stratton Engine Application Center, 1-866-927-3349. Improper engine application may result in serious injury or death.

NOTICE: This engine was shipped from Briggs & Stratton without oil. Before you start the engine, make sure you add oil according to the instructions in this manual. If you start the engine without oil, it will be damaged beyond repair and will not be covered under warranty.

WARNING

Fuel and its vapors are extremely flammable and explosive. Fire or explosion can cause severe burns or death.



When Adding Fuel

- Turn engine off and let engine cool at least 2 minutes before removing the fuel cap.
- Fill fuel tank outdoors or in well-ventilated area.
- Do not overfill fuel tank. To allow for expansion of the fuel, do not fill above the bottom of the fuel tank neck.
- Keep fuel away from sparks, open flames, pilot lights, heat, and other ignition sources.
- Check fuel lines, tank, cap, and fittings frequently for cracks or leaks. Replace if necessary
- If fuel spills, wait until it evaporates before starting engine.

When Starting Engine

- Ensure that spark plug, muffler, fuel cap and air cleaner (if equipped) are in place and secured.
- Do not crank engine with spark plug removed.
- If engine floods, set choke (if equipped) to OPEN/RUN position, move throttle (if equipped) to FAST position and crank until engine starts.

When Operating Equipment

- Do not tip engine or equipment at angle which causes fuel to spill.
- Do not choke the carburetor to stop engine.
- Never start or run the engine with the air cleaner assembly (if equipped) or the air filter (if equipped) removed.

When Changing Oil

- When you drain the oil from the top oil fill tube, the fuel tank must be empty or fuel can leak out and result in a fire or explosion.

When Transporting Equipment

- Transport with fuel tank EMPTY or with fuel shut-off valve OFF.

When Storing Fuel Or Equipment With Fuel In Tank

- Store away from furnaces, stoves, water heaters or other appliances that have pilot lights or other ignition sources because they can ignite fuel vapors.

WARNING

Starting engine creates sparking. Sparking can ignite nearby flammable gases. Explosion and fire could result.



- If there is natural or LP gas leakage in area, do not start engine.
- Do not use pressurized starting fluids because vapors are flammable.

WARNING

Engines give off carbon monoxide, an odorless, colorless, poison gas. Breathing carbon monoxide can cause nausea, fainting or death.



- Start and run engine outdoors.
- Do not start or run engine in enclosed area, even if doors or windows are open.



WARNING



Rapid retraction of starter cord (kickback) will pull hand and arm toward engine faster than you can let go.

Broken bones, fractures, bruises or sprains could result.

- When starting engine, pull the starter cord slowly until resistance is felt and then pull rapidly to avoid kickback.
- Remove all external equipment/engine loads before starting engine.
- Direct-coupled equipment components such as, but not limited to, blades, impellers, pulleys, sprockets, etc., must be securely attached.



WARNING



Rotating parts can contact or entangle hands, feet, hair, clothing, or accessories.

Traumatic amputation or severe laceration can result.

- Operate equipment with guards in place.
- Keep hands and feet away from rotating parts.
- Tie up long hair and remove jewelry.
- Do not wear loose-fitting clothing, dangling drawstrings or items that could become caught.



WARNING



Running engines produce heat. Engine parts, especially muffler, become extremely hot.

Severe thermal burns can occur on contact.



Combustible debris, such as leaves, grass, brush, etc. can catch fire.

- Allow muffler, engine cylinder and fins to cool before touching.
- Remove accumulated debris from muffler area and cylinder area.
- It is a violation of California Public Resource Code, Section 4442, to use or operate the engine on any forest-covered, brush-covered, or grass-covered land unless the exhaust system is equipped with a spark arrester, as defined in Section 4442, maintained in effective working order. Other states or federal jurisdictions may have similar laws. Contact the original equipment manufacturer, retailer, or dealer to obtain a spark arrester designed for the exhaust system installed on this engine.



WARNING



Unintentional sparking can result in fire or electric shock.

Unintentional start-up can result in entanglement, traumatic amputation, or laceration.



Fire hazard



Before performing adjustments or repairs:

- Disconnect the spark plug wire and keep it away from the spark plug.
- Disconnect battery at negative terminal (only engines with electric start.)
- Use only correct tools.
- Do not tamper with governor spring, links or other parts to increase engine speed.
- Replacement parts must be of the same design and installed in the same position as the original parts. Other parts may not perform as well, may damage the unit, and may result in injury.
- Do not strike the flywheel with a hammer or hard object because the flywheel may later shatter during operation.

When testing for spark:

- Use approved spark plug tester.
- Do not check for spark with spark plug removed.

Features and Controls

Compare the illustration **1** with your engine to familiarize yourself with the location of various features and controls.

- A. Engine Identification (located on cover)
Model Type Code
- B. Spark Plug
- C. Air Cleaner (flat or oval)
- D. Choke Control
- E. Fuel Shut-off Valve (optional)
- F. Starter Cord Handle
- G. Finger Guard
- H. Throttle Control (optional)
- I. Stop Switch (optional)
- J. Fuel Tank and Cap
- K. Extended Dipstick (optional)
- L. Short Dipstick (optional)
- M. Oil Drain Plug
- N. Oil Fill
- O. Muffler
Muffler Guard (optional)
Spark Arrester (optional)
- P. Safety Key (electric start models)
- Q. ON/OFF Switch (electric start models)
- R. Gear Reduction Unit (optional)
- S. Key Switch (electric start models)

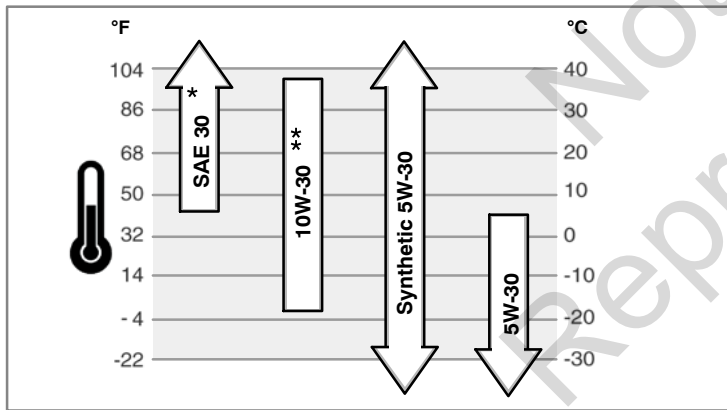
Operation

Oil capacity (see the **Specifications** section)

Oil Recommendations

We recommend the use of Briggs & Stratton Warranty Certified oils for best performance. Other high-quality detergent oils are acceptable if classified for service SF, SG, SH, SJ or higher. Do not use special additives.

Outdoor temperatures determine the proper oil viscosity for the engine. Use the chart to select the best viscosity for the outdoor temperature range expected.



* Below 40°F (4°C) the use of SAE 30 will result in hard starting.

** Above 80°F (27°C) the use of 10W-30 may cause increased oil consumption. Check oil level more frequently.

How To Check/Add Oil - Figure **2** **4**

Before adding or checking the oil

- Place engine level.
- Clean the oil fill area of any debris.

Models with oil fill cap (Figure 2)

1. Remove the oil fill cap (A).
2. To add oil, pour the oil slowly into the engine oil fill (B). Fill to point of overflowing.
3. Replace and tighten the oil fill cap.

Models with short dipstick (Figure 2)

1. Remove the dipstick (C) and wipe with a clean cloth.
2. Insert the dipstick but **do not** screw in. Oil level should be at FULL mark (D).
3. To add oil, pour the oil slowly into the engine oil fill (B). Fill to point of overflowing.
4. Replace and tighten the dipstick.

Models with extended dipstick (Figure 4)

1. Remove the dipstick (A) and wipe with a clean cloth.
2. Insert and tighten the dipstick.
3. Remove the dipstick and check the oil level. It should be at the top of the full indicator (B) on the dipstick.

en

4. To add oil, pour the oil slowly into the engine oil fill (C). **Do not overfill.** After adding oil, wait one minute and then recheck the oil level.
5. Replace and tighten the dipstick.

Fuel Recommendations

Fuel must meet these requirements:

- Clean, fresh, unleaded gasoline.
- A minimum of 87 octane/87 AKI (91 RON). High altitude use, see below.
- Gasoline with up to 10% ethanol (gasohol) is acceptable.

CAUTION: Do not use unapproved gasolines, such as E15 and E85. Do not mix oil in gasoline or modify the engine to run on alternate fuels. This will damage the engine components and **void the engine warranty.**

To protect the fuel system from gum formation, mix a fuel stabilizer into the fuel. See **Storage.** All fuel is not the same. If starting or performance problems occur, change fuel providers or change brands. This engine is certified to operate on gasoline. The emissions control system for this engine is EM (Engine Modifications).

High Altitude

At altitudes over 5,000 feet (1524 meters), a minimum 85 octane/85 AKI (89 RON) gasoline is acceptable. To remain emissions compliant, high altitude adjustment is required. Operation without this adjustment will cause decreased performance, increased fuel consumption, and increased emissions. See a Briggs & Stratton Authorized Dealer for high altitude adjustment information.

Operation of the engine at altitudes below 2,500 feet (762 meters) with the high altitude kit is not recommended.

How To Add Fuel - Figure **3**



WARNING



Fuel and its vapors are extremely flammable and explosive. Fire or explosion can cause severe burns or death.

When Adding Fuel

- Turn engine off and let engine cool at least 2 minutes before removing the fuel cap.
- Fill fuel tank outdoors or in well-ventilated area.
- Do not overfill fuel tank. To allow for expansion of the fuel, do not fill above the bottom of the fuel tank neck.
- Keep fuel away from sparks, open flames, pilot lights, heat, and other ignition sources.
- Check fuel lines, tank, cap, and fittings frequently for cracks or leaks. Replace if necessary
- If fuel spills, wait until it evaporates before starting engine.

1. Clean the fuel cap area of dirt and debris. Remove the fuel cap (A, Figure 3).
2. Fill the fuel tank (B) with fuel. To allow for expansion of the fuel, do not fill above the bottom of the fuel tank neck (C).
3. Reinstall the fuel cap.

How To Start The Engine - Figure **5** **6** **8**



WARNING



Rapid retraction of starter cord (kickback) will pull hand and arm toward engine faster than you can let go. Broken bones, fractures, bruises or sprains could result.

- When starting engine, pull the starter cord slowly until resistance is felt and then pull rapidly to avoid kickback.



WARNING



Fuel and its vapors are extremely flammable and explosive. Fire or explosion can cause severe burns or death.

When Starting Engine

- Ensure that spark plug, muffler, fuel cap and air cleaner (if equipped) are in place and secured.
- Do not crank engine with spark plug removed.
- If engine floods, set choke (if equipped) to OPEN/RUN position, move throttle (if equipped) to FAST position and crank until engine starts.




WARNING

Engines give off carbon monoxide, an odorless, colorless, poison gas. Breathing carbon monoxide can cause nausea, fainting or death.


- Start and run engine outdoors.
- Do not start or run engine in enclosed area, even if doors or windows are open.

NOTICE: This engine was shipped from Briggs & Stratton without oil. Before you start the engine, make sure you add oil according to the instructions in this manual. If you start the engine without oil, it will be damaged beyond repair and will not be covered under warranty.

Note: Equipment may have remote controls. See the equipment manual for location and operation of remote controls.

1. Check the oil level. See the **How To Check/Add Oil** section.
2. Make sure equipment drive controls, if equipped, are disengaged.
3. Turn the fuel shut-off valve (A), if equipped, to the on position (Figure 5).
4. Move the choke control lever (B) to the choke  position.


Note: Choke is usually unnecessary when restarting a warm engine.

5. Move the throttle control lever (C), if equipped, to the fast  position. Operate the engine with the throttle control lever in the fast position.
6. On engines equipped with a stop switch (D), move the switch to the on position.
7. **Rewind Start:** Firmly hold the starter cord handle (E). Pull the starter cord handle slowly until resistance is felt, then pull rapidly.

Note: If the engine does not start after repeated attempts, go to **BRIGGSandSTRATTON.COM** or call **1-800-233-3723** (in USA).




WARNING: Rapid retraction of the starter cord (kickback) will pull your hand and arm toward the engine faster than you can let go. Broken bones, fractures, bruises or sprains could result. When starting engine, pull the starter cord slowly until resistance is felt and then pull rapidly to avoid kickback.

8. **Electric Start with Safety Key (F):** Push in the safety key (F). Momentarily push the start switch (G). When the engine starts, release the start switch (Figure 6).
9. **Electric Start with Automotive Key Switch (H):** Turn the key switch (H) to the start  position. When the engine starts, release the key switch (Figure 8).

NOTICE: To prolong starter life, use short starting cycles, not to exceed 15 seconds per minute. Extended cranking can damage the starter motor.

Note: If the engine does not start after repeated attempts, go to **BRIGGSandSTRATTON.COM** or call **1-800-233-3723** (in USA).

10. As the engine warms up, move the choke control (B) to the run  position (Figure 5).



How To Stop The Engine - Figure 7



WARNING

Fuel and its vapors are extremely flammable and explosive. Fire or explosion can cause severe burns or death.

- Do not choke the carburetor to stop engine.

1. On models equipped with a throttle control lever (A), move the throttle control lever to slow  and then to the stop  position (see Figure 7).

or

Move the stop switch (B), (if equipped) to the stop position.

or

Electric Start: Remove the safety key (C, Figure 7). Keep the safety key out of reach of children.

or

Turn the key switch (H, Figure 8) to the off  position. Remove the key switch. Keep the key switch out of reach of children.

2. After the engine stops, turn the fuel shut-off valve (D) to the closed position. See Figure 7.

Maintenance

We recommend that you see any Briggs & Stratton Authorized Dealer for all maintenance and service of the engine and engine parts.

NOTICE: All the components used to build this engine must remain in place for proper operation.

Emissions Control

Maintenance, replacement, or repair of the emissions control devices and systems may be performed by any non-road engine repair establishment or individual.

However, to obtain "no charge" emissions control service, the work must be performed by a factory authorized dealer. See the Emissions Warranty.



WARNING

Unintentional sparking can result in fire or electric shock. Unintentional start-up can result in entanglement, traumatic amputation, or laceration.



Fire hazard

Before performing adjustments or repairs:

- Disconnect the spark plug wire and keep it away from the spark plug.
- Disconnect battery at negative terminal (only engines with electric start.)
- Use only correct tools.
- Do not tamper with governor spring, links or other parts to increase engine speed.
- Replacement parts must be of the same design and installed in the same position as the original parts. Other parts may not perform as well, may damage the unit, and may result in injury.
- Do not strike the flywheel with a hammer or hard object because the flywheel may later shatter during operation.

When testing for spark:

- Use approved spark plug tester.
- Do not check for spark with spark plug removed.

Maintenance Chart

First 5 Hours
<ul style="list-style-type: none"> • Change oil
Every 8 Hours or Daily
<ul style="list-style-type: none"> • Check engine oil level • Clean area around muffler and controls • Clean finger guard
Every 25 Hours or Annually
<ul style="list-style-type: none"> • Clean air filter * • Clean pre-cleaner *
Every 50 Hours or Annually
<ul style="list-style-type: none"> • Change engine oil • Check muffler and spark arrester
Every 100 Hours
<ul style="list-style-type: none"> • Change gear reduction oil (if equipped)
Annually
<ul style="list-style-type: none"> • Replace air filter • Replace pre-cleaner • Replace spark plug • Replace fuel filter • Clean air cooling system * • Check valve clearance **

* In dusty conditions or when airborne debris is present, clean more often.

** Not required unless engine performance problems are noted.

Carburetor Adjustment

Never make adjustments to the carburetor. The carburetor was set at the factory to operate efficiently under most conditions. However, if adjustments are required, see any Briggs & Stratton Authorized Dealer for service.

NOTICE: The manufacturer of the equipment on which this engine is installed specifies the top speed at which the engine will be operated. **Do not exceed** this speed.

How To Replace The Spark Plug - Figure 9

Check the gap (A, Figure 9) with a wire gauge (B). If necessary, reset the gap. Install and tighten the spark plug to the recommended torque. For gap setting or torque, see the **Specifications** section.

Note: In some areas, local law requires using a resistor spark plug to suppress ignition signals. If this engine was originally equipped with a resistor spark plug, use the same type for replacement.

Inspect Muffler And Spark Arrester - Figure 10



WARNING



Running engines produce heat. Engine parts, especially muffler, become extremely hot.



Severe thermal burns can occur on contact.

Combustible debris, such as leaves, grass, brush, etc. can catch fire.

- Allow muffler, engine cylinder and fins to cool before touching.
- Remove accumulated debris from muffler area and cylinder area.
- It is a violation of California Public Resource Code, Section 4442, to use or operate the engine on any forest-covered, brush-covered, or grass-covered land unless the exhaust system is equipped with a spark arrester, as defined in Section 4442, maintained in effective working order. Other states or federal jurisdictions may have similar laws. Contact the original equipment manufacturer, retailer, or dealer to obtain a spark arrester designed for the exhaust system installed on this engine.

Remove accumulated debris from muffler area and cylinder area. Inspect the muffler (A, Figure 10) for cracks, corrosion, or other damage. Remove the spark arrester (B), if equipped, and inspect for damage or carbon blockage. If damage is found, install replacement parts before operating.



WARNING: Replacement parts must be of the same design and installed in the same position as the original parts. Other parts may not perform as well, may damage the unit, and may result in injury.

How To Change The Oil - Figure 11 12 13

Used oil is a hazardous waste product and must be disposed of properly. Do not discard with household waste. Check with your local authorities, service center, or dealer for safe disposal/recycling facilities.

Remove Oil

1. With engine off but still warm, disconnect the spark plug wire (A) and keep it away from the spark plug (Figure 11).
2. Remove the oil drain plug (B, Figure 12). Drain the oil into an approved receptacle.
Note: Any of the oil drain plugs shown below may be installed in the engine.



3. After the oil has drained, install and tighten the oil drain plug.

Add oil

- Place engine level.
- Clean the oil fill area of any debris.
- See the **Specifications** section for oil capacity.

Models with oil fill cap

1. Remove the oil fill cap (D, Figure 12).
2. Pour the oil slowly into the engine oil fill (E). Fill to point of overflowing.
3. Replace and tighten the oil fill cap.

Models with short dipstick

1. Remove the dipstick (F, Figure 12) and wipe with a clean cloth.
2. Pour the oil slowly into the engine oil fill (E). Fill to point of overflowing.
3. Install the dipstick but **do not** screw in. Remove and check the oil level. Oil level should be at the FULL mark (G) on the dipstick.
4. Install and tighten the dipstick.

Models with extended dipstick

1. Remove the dipstick (F, Figure 13) and wipe with a clean cloth.
2. Pour the oil slowly into the engine oil fill (E). **Do not overfill.** After adding oil, wait one minute and then recheck the oil level.
3. Install and tighten the dipstick.
4. Remove the dipstick and check the oil level. It should be at the top of the full indicator (G) on the dipstick.
5. Install and tighten the dipstick.

How To Service The Air Filter - Figure 14 15 16



WARNING



Fuel and its vapors are extremely flammable and explosive. Fire or explosion can cause severe burns or death.



- Never start or run the engine with the air cleaner assembly (if equipped) or the air filter (if equipped) removed.

NOTICE: Do not use pressurized air or solvents to clean the filter. Pressurized air can damage the filter and solvents will dissolve the filter.

The air cleaner system uses a pleated filter with an optional pre-cleaner. The pre-cleaner can be washed and reused.

Flat Air Filter (Figure 14 and Figure 15)

1. Loosen the fastener (D) that holds the cover (A).
2. Open the cover and remove the pre-cleaner (C) and the filter (B).
3. To loosen debris, gently tap the filter on a hard surface. If the filter is excessively dirty, replace with a new filter.
4. Wash the pre-cleaner in liquid detergent and water. Then allow it to thoroughly air dry. **Do not** oil the pre-cleaner.
5. Assemble the dry pre-cleaner to the filter with the lip (G) of the pre-cleaner on the bottom of the filter pleats.
6. Install the filter.
7. On models equipped with air filter shown in Figure 14, install the cover tabs (E) into the slots (F).
8. Close the cover and secure with the fastener.

Oval Air Filter (Figure 16)

1. Loosen the fastener (D) that holds the cover (A).
2. Open the cover and remove the pre-cleaner (C) and the filter (B).
3. Remove the pre-cleaner (C), if equipped, from the filter. To loosen debris, gently tap the filter on a hard surface. If the filter is excessively dirty, replace with a new filter.
4. Wash the pre-cleaner in liquid detergent and water. Then allow it to thoroughly air dry. **Do not** oil the pre-cleaner.
5. Assemble the dry pre-cleaner to the filter.
6. Install the filter and pre-cleaner into the base (E) and onto stud (F). Make sure filter fits securely into base.
7. Install air filter cover and secure with the fastener. Make sure the fastener is tight.

How To Change The Gear Reduction Oil - Figure 17

If your engine is equipped with a gear reduction unit, service as follows.

1. Remove the oil fill plug (B) and the oil level plug (C).
2. Remove the oil drain plug (A, Figure 17) and drain the oil into an appropriate receptacle.
3. Install and tighten the oil drain plug.
4. To refill, slowly pour gear lube into the oil fill hole (see **Specifications** section). Continue to pour until the oil runs out of the oil level hole.
5. Install and tighten the oil level plug.
6. Install and tighten the oil fill plug.
Important: The oil fill plug has a vent hole (D) and must be installed on the top of the gear case cover as shown.

How To Replace The Fuel Filter - Figure 18



WARNING



Fuel and its vapors are extremely flammable and explosive. Fire or explosion can cause severe burns or death.



- Keep fuel away from sparks, open flames, pilot lights, heat, and other ignition sources.
- Check fuel lines, tank, cap, and fittings frequently for cracks or leaks. Replace if necessary.
- Before replacing the fuel filter, drain the fuel tank or close the fuel shut-off valve.
- Replacement parts must be the same and installed in the same position as the original parts.
- If fuel spills, wait until it evaporates before starting engine.

1. Before replacing the fuel filter (A, Figure 18), if equipped, drain the fuel tank or close the fuel shut-off valve. Otherwise, fuel can leak out and cause a fire or explosion.
2. Use pliers to squeeze tabs (B) on the clamps (C), then slide the clamps away from the fuel filter. Twist and pull the fuel lines (D) off of the fuel filter.
3. Check the fuel lines for cracks or leaks. Replace if necessary.
4. Replace the fuel filter with an original equipment replacement filter.
5. Secure the fuel lines with the clamps as shown.

How To Clean The Air Cooling System - Figure 19



WARNING



Running engines produce heat. Engine parts, especially muffler, become extremely hot.



Severe thermal burns can occur on contact.

Combustible debris, such as leaves, grass, brush, etc. can catch fire.

- Allow muffler, engine cylinder and fins to cool before touching.
- Remove accumulated debris from muffler area and cylinder area.

NOTICE: Do not use water to clean the engine. Water could contaminate the fuel system. Use a brush or dry cloth to clean the engine.

This is an air cooled engine. Dirt or debris can restrict air flow and cause the engine to overheat, resulting in poor performance and reduced engine life.

Use a brush or dry cloth to remove debris from the finger guard (A) (Figure 19). Keep linkage, springs and controls (B) clean. Keep the area around and behind the muffler (C) free of any combustible debris.

Storage



WARNING



Fuel and its vapors are extremely flammable and explosive.
Fire or explosion can cause severe burns or death.

When Storing Fuel Or Equipment With Fuel In Tank

- Store away from furnaces, stoves, water heaters or other appliances that have pilot lights or other ignition sources because they can ignite fuel vapors.

Fuel System

Fuel can become stale when stored over 30 days. Stale fuel causes acid and gum deposits to form in the fuel system or on essential carburetor parts. To keep fuel fresh, use Briggs & Stratton FRESH START® fuel stabilizer, available as a liquid additive or a drip concentrate cartridge.

There is no need to drain gasoline from the engine if a fuel stabilizer is added according to instructions. Run the engine for 2 minutes to circulate the stabilizer throughout the fuel system. The engine and fuel can then be stored up to 24 months.

If gasoline in the engine has not been treated with a fuel stabilizer, it must be drained into an approved container. Run the engine until it stops from lack of fuel. The use of a fuel stabilizer in the storage container is recommended to maintain freshness.

Engine Oil

While the engine is still warm, change the engine oil.

Troubleshooting

Need Assistance? Go to BRIGGSandSTRATTON.COM or call 1-800-233-3723.

Specifications

Engine Specifications	
Model	120000
Displacement	12.48 ci (205 cc)
Bore	2.688 in (68.28 mm)
Stroke	2.200 in (55.88 mm)
Engine Oil Capacity	18 - 20 oz (0.54 - 0.59 L)

Gear Reduction Specifications (if equipped)	
Gear Reduction Oil Type	80W-90
Gear Reduction Oil Capacity	4 oz (0.12 L)

Engine Specifications	
Model	150000
Displacement	15.24 ci (250 cc)
Bore	2.970 in (75.44 mm)
Stroke	2.200 in (55.88 mm)
Engine Oil Capacity	18 - 20 oz (0.54 - 0.59 L)

Gear Reduction Specifications (if equipped)	
Gear Reduction Oil Type	80W-90
Gear Reduction Oil Capacity	4 oz (0.12 L)

Tune-up Specifications *	
Model	120000, 150000
Spark Plug Gap	0.030 in (0.76 mm)
Spark Plug Torque	180 lb-in (20 Nm)
Armature Air Gap	0.010 - 0.014 in (0.25 - 0.36 mm)
Intake Valve Clearance	0.004 - 0.006 in (0.10 - 0.15 mm)
Exhaust Valve Clearance	0.009 - 0.011 in (0.23 - 0.28 mm)

Engine Specifications	
Model	200000
Displacement	18.63 ci (305 cc)
Bore	3.120 in (79.24 mm)
Stroke	2.438 in (61.93 mm)
Engine Oil Capacity	26 - 28 oz (0.77 - 0.83 L)

Gear Reduction Specifications (if equipped)	
Gear Reduction Oil Type	SAE 30
Gear Reduction Oil Capacity	12 oz (0.35 L)

Engine Specifications	
Model	210000
Displacement	20.85 ci (342 cc)
Bore	3.300 in (83.81 mm)
Stroke	2.438 in (61.93 mm)
Engine Oil Capacity	26 - 28 oz (0.77 - 0.83 L)

Gear Reduction Specifications (if equipped)	
Gear Reduction Oil Type	SAE 30
Gear Reduction Oil Capacity	12 oz (0.35 L)

Tune-up Specifications *	
Model	200000, 210000
Spark Plug Gap	0.030 in (0.76 mm)
Spark Plug Torque	180 lb-in (20 Nm)
Armature Air Gap	0.008 - 0.012 in (0.20 - 0.30 mm)
Intake Valve Clearance	0.004 - 0.006 in (0.10 - 0.15 mm)
Exhaust Valve Clearance	0.004 - 0.006 in (0.10 - 0.15 mm)

* Engine power will decrease 3.5% for each 1,000 feet (300 meters) above sea level and 1% for each 10° F (5.6° C) above 77° F (25° C). The engine will operate satisfactorily at an angle up to 15°. Refer to the equipment operator's manual for safe allowable operating limits on slopes.

Common Service Parts

Service Part	Part Number
Flat Air Filter	491588, 5043
Flat Air Filter Pre-cleaner	493537, 5064
Oval Air Filter, Model: 120000, 150000	697029, 5059
Oval Air Filter Pre-cleaner, Model: 120000, 150000	273356
Oval Air Filter, Model: 200000, 210000	695302
Oval Air Filter Pre-cleaner, Model: 200000, 210000	695303

Service Part	Part Number
Fuel Filter	694485
Fuel Additive	5041, 5058
Resistor Spark Plug	491055
Long Life Platinum Spark Plug	5066
Spark Plug Wrench	89838, 5023
Spark Tester	19368

✓ We recommend that you see any Briggs & Stratton Authorized Dealer for all maintenance and service of the engine and engine parts.

LIMITED WARRANTY

Briggs & Stratton Corporation will repair or replace, free of charge, any part(s) of the engine that is defective in material or workmanship or both. Transportation charges on product submitted for repair or replacement under this warranty must be borne by purchaser. This warranty is effective for and is subject to the time periods and conditions stated below. For warranty service, find the nearest Authorized Service Dealer in our dealer locator map at BRIGGSandSTRATTON.COM, or by calling 1-800-233-3723, or as listed in the 'Yellow Pages'.

There is no other expressed warranty. Implied warranties, including those of merchantability and fitness for a particular purpose, are limited to one year from purchase, or to the extent permitted by law. All other implied warranties are excluded. Liability for incidental or consequential damages are excluded to the extent exclusion is permitted by law. Some states or countries do not allow limitations on how long an implied warranty lasts, and some states or countries do not allow the exclusion or limitation of incidental or consequential damages, so the above limitation and exclusion may not apply to you. This warranty gives you specific legal rights and you may also have other rights which vary from state to state and country to country.

STANDARD WARRANTY TERMS * ▲

Brand/Product Type	Consumer Use	Commercial Use
Vanguard™ ■	3 years	3 years
Commercial Turf Series™	2 years	2 years
Extended Life Series™ ; I/C®; Intek™ I/C®; Intek™ Pro; Professional Series™ with Dura-Bore™ Cast Iron Sleeve; 850 Series™ with Dura-Bore™ Cast Iron Sleeve; Snow Series MAX™ with Dura-Bore™ Cast Iron Sleeve All Other Briggs & Stratton Engines Featuring Dura-Bore™ Cast Iron Sleeve	2 years	1 year
All Other Briggs & Stratton Engines	2 years	90 days

- * These are our standard warranty terms, but occasionally there may be additional warranty coverage that was not determined at time of publication. For a listing of current warranty terms for your engine, go to BRIGGSandSTRATTON.COM or contact your Authorized Briggs & Stratton Service Dealer.
- ▲ Home Standby Generator applications: 2 years consumer warranty only. No commercial warranty. This warranty does not apply to engines on equipment used for prime power in place of a utility. **Engines used in competitive racing or on commercial or rental tracks are not warranted.**
- Vanguard installed on standby generators: 2 years consumer use, no warranty commercial use. Vanguard installed on utility vehicles: 2 years consumer use, 2 years commercial use. Vanguard 3-cylinder liquid cooled: see Briggs & Stratton 3/LC Engine Owner Warranty Policy.

The warranty period begins on the date of purchase by the first retail consumer or commercial end user, and continues for the period of time stated in the table above. "Consumer use" means personal residential household use by a retail consumer. "Commercial use" means all other uses, including use for commercial, income producing or rental purposes. Once an engine has experienced commercial use, it shall thereafter be considered as a commercial use engine for purposes of this warranty.

No warranty registration is necessary to obtain warranty on Briggs & Stratton Products. Save your proof of purchase receipt. If you do not provide proof of the initial purchase date at the time warranty service is requested, the manufacturing date of the product will be used to determine the warranty period.

About Your Warranty

Briggs & Stratton welcomes warranty repair and apologizes to you for being inconvenienced. Any Authorized Service Dealer may perform warranty repairs. Most warranty repairs are handled routinely, but sometimes requests for warranty service may not be appropriate.

If a customer differs with the decision of the Service Dealer, an investigation will be made to determine whether the warranty applies. Ask the Service Dealer to submit all supporting facts to his Distributor or the Factory for review. If the Distributor or the Factory decides that the claim is justified, the customer will be fully reimbursed for those items that are defective. To avoid misunderstanding which might occur between the customer and the Dealer, listed below are some of the causes of engine failure that the warranty does not cover.

Normal wear: Engines, like all mechanical devices, need periodic parts service and replacement to perform well. Warranty will not cover repair when normal use has exhausted the life of a part or an engine. Warranty would not apply if engine damage occurred because of misuse, lack of routine maintenance, shipping, handling, warehousing or improper installation. Similarly, warranty is void if the serial number of the engine has been removed or the engine has been altered or modified.

Improper maintenance: The life of an engine depends upon the conditions under which it operates, and the care it receives. Some applications, such as tillers, pumps and rotary mowers, are very often used in dusty or dirty conditions, which can cause what appears to be premature wear. Such wear, when caused by dirt, dust, spark plug cleaning grit, or other abrasive material that has entered the engine because of improper maintenance, is not covered by warranty.

This warranty covers engine related defective material and/or workmanship only, and not replacement or refund of the equipment to which the engine may be mounted. Nor does the warranty extend to repairs required because of:

- 1 **Problems caused by parts that are not original Briggs & Stratton parts.**
- 2 Equipment controls or installations that prevent starting, cause unsatisfactory engine performance, or shorten engine life. (Contact equipment manufacturer.)
- 3 Leaking carburetors, clogged fuel pipes, sticking valves, or other damage, caused by using contaminated or stale fuel.

- 4 Parts which are scored or broken because an engine was operated with insufficient or contaminated lubricating oil, or an incorrect grade of lubricating oil (check and refill when necessary, and change at recommended intervals). OIL GARD may not shut down running engine. Engine damage may occur if oil level is not properly maintained.
- 5 Repair or adjustment of associated parts or assemblies such as clutches, transmissions, remote controls, etc., which are not manufactured by Briggs & Stratton.
- 6 Damage or wear to parts caused by dirt, which entered the engine because of improper air cleaner maintenance, re-assembly, or use of a non-original air cleaner element or cartridge. At recommended intervals, clean and/or replace the filter as stated in the Operator's Manual.
- 7 Parts damaged by over-speeding, or overheating caused by grass, debris, or dirt, which plugs or clogs the cooling fins, or flywheel area, or damage caused by operating the engine in a confined area without sufficient ventilation. Clean engine debris at recommended intervals as stated in the Operator's Manual.
- 8 Engine or equipment parts broken by excessive vibration caused by a loose engine mounting, loose cutter blades, unbalanced blades or loose or unbalanced impellers, improper attachment of equipment to engine crankshaft, over-speeding or other abuse in operation.
- 9 A bent or broken crankshaft, caused by striking a solid object with the cutter blade of a rotary lawn mower, or excessive v-belt tightness.
- 10 Routine tune-up or adjustment of the engine.
- 11 Engine or engine component failure, i.e., combustion chamber, valves, valve seats, valve guides, or burned starter motor windings, caused by the use of alternate fuels such as, liquified petroleum, natural gas, gasoline formulated with ethanol greater than 10%, etc.

Warranty service is available only through authorized service dealers by Briggs & Stratton Corporation. Locate your nearest Authorized Service Dealer in our dealer locator map on BRIGGSandSTRATTON.COM or by calling 1-800-233-3723, or as listed in the 'Yellow Pages'.

The California Air Resources Board, U.S. EPA, and Briggs & Stratton (B&S) are pleased to explain the emissions control system warranty on your Model Year 2012-2013 engine/equipment. In California, new small off-road engines and large spark ignited engines less than or equal to 1.0 liter must be designed, built, and equipped to meet the State's stringent anti-smog standards. B&S must warrant the emissions control system on your engine/equipment for the periods of time listed below provided there has been no abuse, neglect, or improper maintenance of your engine or equipment.

Your emissions control system may include parts such as the carburetor or fuel injection system, fuel tank, ignition system, and catalytic converter. Also included may be hoses, belts, connectors, sensors, and other emissions-related assemblies.

Where a warrantable condition exists, B&S will repair your engine/equipment at no cost to you including diagnosis, parts, and labor.

Manufacturer's Warranty Coverage:

Small off-road engines and large spark ignited engines less than or equal to 1.0 liter are warranted for two years. If any emissions-related part on your engine/equipment is defective, the part will be repaired or replaced by B&S.

Owner's Warranty Responsibilities:

- As the engine/equipment owner, you are responsible for the performance of the required maintenance listed in your owner's manual. B&S recommends that you retain all receipts covering maintenance on your engine/equipment, but B&S cannot deny warranty solely for the lack of receipts or your failure to ensure the performance of all scheduled maintenance.
- As the engine/equipment owner, you should however be aware that B&S may deny you warranty coverage if your engine/equipment or a part has failed due to abuse, neglect, improper maintenance, or unapproved modifications.
- You are responsible for presenting your engine/equipment to a B&S distribution center, servicing dealer, or other equivalent entity, as applicable, as soon as a problem exists. The warranty repairs should be completed in a reasonable amount of time, not to exceed 30 days. If you have any questions regarding your warranty rights and responsibilities, you should contact B&S at (414) 259-5262.

Briggs & Stratton Emissions Control Warranty Provisions

The following are specific provisions relative to your Emissions Control Warranty Coverage. It is in addition to the B&S engine warranty for non-regulated engines found in the Operator's Manual.

1. Warranted Emissions Parts

Coverage under this warranty extends only to the parts listed below (the emissions control systems parts) to the extent these parts were present on the B&S engine and/or B&S supplied fuel system.

a. Fuel Metering System

- Cold start enrichment system (soft choke)
- Carburetor and internal parts
- Fuel pump
- Fuel line, fuel line fittings, clamps
- Fuel tank, cap and tether
- Carbon canister

b. Air Induction System

- Air cleaner
- Intake manifold
- Purge and vent line

c. Ignition System

- Spark plug(s)
- Magneto ignition system

d. Catalyst System

- Catalytic converter
- Exhaust manifold
- Air injection system or pulse valve

e. Miscellaneous Items Used in Above Systems

- Vacuum, temperature, position, time sensitive valves and switches
- Connectors and assemblies

2. Length of Coverage

For a period of two years from date of original purchase, B&S warrants to the original purchaser and each subsequent purchaser that the engine is designed, built, and equipped so as to conform with all applicable regulations adopted by the Air Resources Board; that it is free from defects in material and workmanship that could cause the failure of a warranted part; and that it is identical in all material respects to the engine described in the manufacturer's application for certification. The warranty period begins on the date the engine is originally purchased.

The warranty on emissions-related parts is as follows:

- Any warranted part that is not scheduled for replacement as required maintenance in the owner's manual supplied, is warranted for the warranty period stated above. If any such part fails during the period of warranty coverage, the part will be repaired or replaced by B&S at no charge to the owner. Any such part repaired or replaced under the warranty will be warranted for the remaining warranty period.
- Any warranted part that is scheduled only for regular inspection in the owner's manual supplied, is warranted for the warranty period stated above. Any such part repaired or replaced under warranty will be warranted for the remaining warranty period.
- Any warranted part that is scheduled for replacement as required maintenance in the owner's manual supplied, is warranted for the period of time prior to the first scheduled replacement point for that part. If the part fails prior to the first scheduled replacement, the part will be repaired or replaced by B&S at no charge to the owner. Any such part repaired or replaced under warranty will be warranted for the remainder of the period prior to the first scheduled replacement point for the part.
- Add on or modified parts that are not exempted by the Air Resources Board may not be used. The use of any non exempted add on or modified parts by the owner will be grounds for disallowing a warranty claim. The manufacturer will not be liable to warrant failures of warranted parts caused by the use of a non exempted add on or modified part.

3. Consequential Coverage

Coverage shall extend to the failure of any engine components caused by the failure of any warranted emissions parts.

4. Claims and Coverage Exclusions

Warranty claims shall be filed according to the provisions of the B&S engine warranty policy. Warranty coverage does not apply to failures of emissions parts that are not original equipment B&S parts or to parts that fail due to abuse, neglect, or improper maintenance as set forth in the B&S engine warranty policy. B&S is not liable for warranty coverage of failures of emissions parts caused by the use of add-on or modified parts.

**Look For Relevant Emissions Durability Period and Air Index Information
On Your Small Off-Road Engine Emissions Label**

Engines that are certified to meet the California Air Resources Board (CARB) small off-road Emissions Standard must display information regarding the Emissions Durability Period and the Air Index. Briggs & Stratton makes this information available to the consumer on our emissions labels. The engine emissions label will indicate certification information.

The **Emissions Durability Period** describes the number of hours of actual running time for which the engine is certified to be emissions compliant, assuming proper maintenance in accordance with the Operating & Maintenance Instructions. The following categories are used:

Moderate:

Engine is certified to be emissions compliant for 125 hours of actual engine running time.

Intermediate:

Engine is certified to be emissions compliant for 250 hours of actual engine running time.

Extended:

Engine is certified to be emissions compliant for 500 hours of actual engine running time. For example, a typical walk-behind lawn mower is used 20 to 25 hours per year.

Therefore, the **Emissions Durability Period** of an engine with an **intermediate** rating would equate to 10 to 12 years.

Briggs & Stratton engines are certified to meet the United States Environmental Protection Agency (USEPA) Phase 2 or Phase 3 emissions standards. The Emissions Compliance Period referred to on the Emissions Compliance label indicates the number of operating hours for which the engine has been shown to meet Federal emissions requirements.

For engines less than 225 cc displacement.

Category C = 125 hours, Category B = 250 hours, Category A = 500 hours

For engines of 225 cc or more displacement.

Category C = 250 hours, Category B = 500 hours, Category A = 1000 hours

Información General

Este manual contiene información de seguridad para que usted tome conciencia de los peligros y riesgos asociados con los motores, y cómo evitarlos. También contiene instrucciones para el uso y cuidado apropiados del motor. Ya que Briggs & Stratton Corporation no conoce necesariamente cuál equipo impulsará este motor, es importante que usted lea y entienda estas instrucciones y las instrucciones del equipo. **Guarde estas instrucciones para consultarlas en el futuro.**

Para conseguir repuestos o asistencia técnica registre los números de modelo, tipo y código de su motor junto con la fecha de compra. Estos números los encuentra localizados en su motor (consulte la página de **Características y Controles**).

Fecha de compra: _____
MES/DIA/AÑO

Modelo del motor: _____
Modelo: Tipo: Código:


Clasificación de Potencia


La clasificación de potencia total para los modelos individuales de motores a gas se etiqueta de acuerdo con el código J1940 de SAE (Sociedad de Ingenieros Automotrices) (Procedimiento de Clasificación de Potencia & Torque del Motor Pequeño) y la clasificación de desempeño se ha obtenido y se ha corregido de acuerdo con SAE J1995 (Revisión 2002-05). Los valores de Torque se derivan a 3060 RPM; los valores de potencia se derivan a 3600 RPM. Las curvas de potencia bruta se puede ver en www.BRIGGSandSTRATTON.COM. Los valores netos de potencia se toman con escape y filtro de aire instalado mientras que los valores de potencia total se recogen sin estos accesorios. La potencia total real del motor puede ser mayor que la potencia neta del motor y estar afectada por, entre otras cosas, condiciones ambientales de operación y variabilidad de motor a motor. Dado el amplio conjunto de productos en los cuales son puestos los motores, el motor a gas podría no desarrollar la potencia total nominal cuando sea usado en una parte dada del equipo acoplado. Esta diferencia se debe a una variedad de factores que incluyen, sin limitarse a, la avierdad de componentes del motor (filtro de aire, sistema de escape, sistema de carga, sistema de enfriamiento, carburador, bomba de combustible, etc.), limitaciones de la aplicación, condiciones ambientales de operación (temperatura, humedad, altitud), y a la variabilidad de motor a motor. Debido a las limitaciones de fabricación y capacidad Briggs & Stratton puede sustituir un motor de potencia nominal más alta por esta Serie de motor.


Seguridad del Operario


SÍMBOLOS DE SEGURIDAD Y CONTROL



El símbolo de aviso de seguridad  se utiliza para identificar la información de seguridad relacionada con los peligros que pueden ocasionar lesiones personales. Se señala con una palabra (PELIGRO, ADVERTENCIA o PRECAUCIÓN) con el símbolo de aviso para indicar la probabilidad de una lesión y su gravedad potencial. Además, un símbolo de peligro puede ser utilizado para representar el tipo de peligro.

 **PELIGRO** indica un peligro que si no es evitado, **ocasionará la muerte o heridas graves.**

 **ADVERTENCIA** indica un peligro que si no es evitado, **podría ocasionar la muerte o heridas graves.**

 **PRECAUCIÓN** indica un peligro que, si no es evitado, **podría ocasionar lesiones menores o moderadas.**

NOTIFICACIÓN indica una situación que **podría ocasionar daños al producto.**



ADVERTENCIA

Ciertos componentes en este producto y sus accesorios relacionados contienen químicos que el Estado de California considera que ocasionan cáncer, defectos congénitos y otros daños en el aparato reproductivo. Lávese las manos después de manejarlos.



ADVERTENCIA

La descarga de escape que expelle este motor por este producto contiene químicos conocidos para el Estado de California que pueden ocasionar cáncer, defectos de nacimiento u otros daños que pueden ser perjudiciales para la reproducción.





ADVERTENCIA

Los motores Briggs & Stratton no están diseñados ni deben ser utilizados para impulsar karts para diversión/recreo, vehículos para niños, recreacionales o vehículos deportivos todo terreno (ATVs), bicicletas motorizadas, aerodeslizadores, productos para aviación o vehículos para uso en eventos competitivos no autorizados por Briggs & Stratton. Para información acerca de productos para carreras de competencia refiérase a www.briggsracing.com. Para la utilización con ATVs utilitarios y "lado a lado," por favor póngase en contacto con Briggs & Stratton Engine Application Center, 1-866-927-3349. La aplicación inadecuada del motor puede tener como resultado lesiones graves o incluso la muerte.

NOTIFICACIÓN: Este motor fue despachado de Briggs & Stratton sin aceite. Antes de darle arranque al motor, asegúrese de agregar aceite de acuerdo con las instrucciones de este manual. Si da arranque al motor sin que éste tenga aceite, se dañará hasta tal punto que no podrá ser reparado y no será cubierto por la garantía.



ADVERTENCIA

 **El combustible y sus vapores son extremadamente inflamables y explosivos.**
 **Un incendio o una explosión pueden causar graves quemaduras o la muerte.**

Cuando Aprovisione con Combustible

- Apague el motor y deje que el motor se enfríe por lo menos 2 minutos antes de remover la tapa de combustible.
- Llene el tanque de combustible en exteriores o en un área bien ventilada.
- No llene demasiado el tanque de combustible. Para permitir la expansión del combustible no llene por encima de la parte inferior del cuello del tanque de combustible
- Mantenga el combustible a distancia de chispas, llamas abiertas, testigos piloto, calor y otras fuentes de encendido.
- Compruebe con frecuencia si existen grietas o fugas en las mangueras de combustible, el tanque, la tapa y en los accesorios. Cámbielos si es necesario
- Si se derramó combustible, espere hasta que se haya evaporado antes de darle arranque al motor.

Cuando le de Arranque al motor

- Asegúrese que la bujía, el mofle, la tapa de combustible y el filtro de aire (si está equipado) estén en su lugar, y firmemente asegurados.
- No haga girar el motor si removió la bujía.
- Si el motor se inunda, ajuste el estrangulador (si está equipado) en la posición OPEN/RUN, coloque el acelerador (si está equipado) en la posición FAST y haga girar el motor hasta que de arranque.

Cuando Opere El Equipo

- No incline el motor ni el equipo a un ángulo que pueda ocasionar derrames de combustible.
- No use el estrangulador para detener el motor.
- Nunca arranque u opere el motor si removió el conjunto del filtro de aire (si está equipado) o el filtro de aire (si está equipado).

Cuando cambie el aceite

- Si drena el aceite desde el tubo superior de llenado de aceite, el tanque de combustible debe estar vacío o de lo contrario podría presentarse una fuga de combustible que podría ocasionar un incendio o una explosión.

Cuando Transporte el Equipo

- Transpórtelo con el tanque de combustible VACÍO o con la válvula de paso de combustible en la posición OFF.

Cuando Almacene el Combustible o el Equipo con Combustible en el Tanque

- Almacene a distancia de hornos, estufas, calentadores de agua u otros aparatos que utilicen testigos piloto u otras fuentes de encendido ya que estos pueden encender los vapores combustibles.



ADVERTENCIA



Dar arranque al motor crea chispeo. El chispeo puede encender los gases inflamables cercanos. Podría ocurrir una explosión o un incendio.



- Si hay una fuga de gas natural o gas propano LP en el área, no le de arranque al motor.
- No use líquidos de arranque presurizado ya que los vapores son inflamables.



ADVERTENCIA



Los motores emiten monóxido de carbono, un gas venenoso que carece de olor y de color.

Respirar monóxido de carbono puede ocasionar náuseas, desmayos o la muerte.

- Dele arranque al motor y opérela en exteriores.
- No le de arranque al motor ni lo opere en un área encerrada, aun cuando las puertas o las ventanas se encuentren abiertas.



ADVERTENCIA



La retracción rápida de la cuerda de arranque (contragolpe) le halará la mano y el brazo hacia el motor más rápido de lo que usted la pueda dejar ir.

Podrían ocasionarse roturas de huesos, fracturas, moretones o torceduras.

- Cuando le de arranque al motor, hale lentamente la cuerda hasta que se sienta resistencia y después hálela rápidamente para evitar un contragolpe.
- Remueva todas las cargas externas del equipo/motor antes de darle arranque al motor.
- Los componentes de acople directo del equipo tal como, pero sin limitarse a, cuchillas, impulsores, poleas, dientes de piñones, etc. se deben asegurar firmemente.



ADVERTENCIA



Las partes rotantes pueden tener contacto o enredar las manos, los pies, el cabello, la ropa o los accesorios.

Puede producirse una traumática amputación o una grave laceración.

- Opere el equipo con los protectores en su lugar.
- Mantenga sus manos y sus pies a distancia de las partes rotantes.
- Recójase el cabello largo y quítese las joyas.
- No use ropa floja, tiras que cuelguen ni artículos que puedan ser agarrados.



ADVERTENCIA



El funcionamiento de los motores produce calor. Las partes de los motores, especialmente el mofle, se calientan demasiado.

Pueden ocurrir graves quemaduras a causa de su contacto.



Desechos combustibles, tal como hojas, grama, maleza, etc. pueden alcanzar a encenderse.

- Deje que el mofle, el cilindro y las aletas del motor se enfríen antes de tocarlos.
- Remueva los desechos acumulados en el área del mofle y en el área del cilindro.
- Usar u operar el motor en un terreno que contenga bosques, arbustos o pasto es una violación al Código de Recursos Públicos de California, Sección 4442, a menos que el sistema de escape esté equipado con un atrapachispas, según se define en la Sección 4442, mantenido en excelente estado de funcionamiento. Otros estados o jurisdicciones federales pueden tener leyes similares. Contacte al fabricante, comerciante o distribuidor del equipo original para obtener un atrapachispas diseñado para el sistema de escape instalado en este motor.



ADVERTENCIA



Un chispeo involuntario puede producir un incendio o una descarga eléctrica.



Una puesta en marcha involuntaria puede ocasionar un enredo, una amputación traumática o una laceración.



Peligro de incendio

Antes de hacer ajustes o reparaciones:

- Desconecte el cable de la bujía y mántegalo a distancia de la bujía.
- Desconecte la batería en la terminal negativa (únicamente motores con arranque eléctrico).
- Use únicamente las herramientas correctas.
- No manipule los resortes del regulador, las varillas u otras partes para incrementar la velocidad del motor.
- Los repuestos deben ser del mismo diseño y ser instalados en la misma posición que tenían las partes originales. Es posible que otros repuestos no funcionen tan bien, dañen la unidad y hasta pueden ocasionar lesiones.
- No golpee la volante con un martillo ni con un objeto pesado ya que la volante podría astillarse más adelante durante la operación.

Cuando compruebe chispa:

- Utilice un probador aprobado.
- No compruebe chispa si removió la bujía.

Características y Controles

Compare la ilustración **1** con su motor para que se familiarice con la localización de las diversas características y controles.

A. Identificación del motor (ubicada sobre la tapa)

Modelo Tipo Código

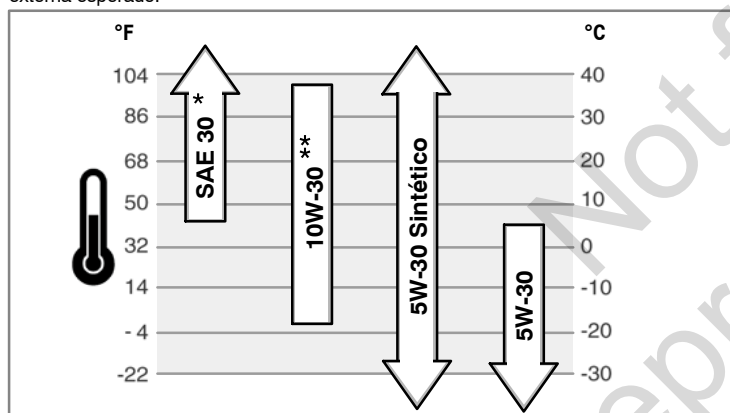
- B. Bujía
- C. Filtro de aire (plano ú oval)
- D. Control del estrangulador
- E. Válvula de cierre de combustible (opcional)
- F. Manija de la Cuerda de Arranque
- G. Protector de Dedos
- H. Control del Acelerador (opcional)
- I. Suiche de parada (opcional)
- J. Tanque y Tapa de Combustible
- K. Varilla extendida (opcional)
- L. Varilla corta (opcional)
- M. tapón de drenaje de aceite
- N. Llenado de Aceite
- O. Mofle Protector del mofle (opcional) Atrapachispas (optional)
- P. Llave de seguridad (modelos de arranque eléctrico)
- Q. Suiche ON/OFF (modelos de arranque eléctrico)
- R. Unidad reductora (opcional)
- S. Suiche de llave (modelos de arranque eléctrico)

Operación

Capacidad de aceite (consulte la sección de **Especificaciones**)

Recomendaciones de Aceite

Recomendamos el uso de aceites Briggs & Stratton Warranty Certified para obtener el mejor desempeño. Otros aceites detergentes de alta calidad son aceptables si están clasificados para servicio SF, SG, SH, SJ o mayores. No utilice aditivos especiales. Las temperaturas externas determinan la viscosidad adecuada del aceite para el motor. Utilice la tabla para seleccionar la mejor viscosidad según el rango de temperatura externa esperado.



* Si se utiliza SAE 30 a una temperatura inferior a los 40°F (4°C) se producirá un arranque difícil.

** Si se utiliza 10W-30 a una temperatura superior a los 80°F (27°C) se podrá ocasionar un mayor consumo de aceite. Verifique el nivel de aceite con mayor frecuencia.

Cómo Comprobar/Añadir Aceite - Figura 2 4

Antes de añadir o comprobar el nivel de aceite

- Coloque el motor a nivel.
- Limpie todos los desechos del área de llenado de aceite.

Modelos con Tapón de Llenado de Aceite (Figura 2)

1. Remueva el tapón de llenado de aceite (A).
2. Para añadir aceite, vierta el aceite lentamente por dentro del tubo de llenado de aceite (B). Llene hasta el punto de reboso.
3. Coloque y ajuste el tapón de llenado de aceite

Modelos con varilla indicadora de nivel de aceite corta (Figura 2)

1. Remueva la varilla indicadora de nivel de aceite (C) y límpiela con un trapo limpio.
2. Inserte la varilla indicadora de nivel de aceite pero **no** la atornille. El nivel de aceite debe llegar hasta la marca FULL (D).
3. Para añadir aceite, vierta el aceite lentamente por dentro del tubo de llenado de aceite (B). Llene hasta el punto de reboso.
4. Coloque y apriete la varilla indicadora de nivel de aceite.

Modelos con varilla indicadora de nivel extendida (Figura 4)

1. Remueva la varilla indicadora de nivel de aceite (A) y límpiela con un trapo limpio.
2. Inserte y apriete la varilla indicadora de nivel de aceite.
3. Remueva la varilla indicadora de nivel de aceite y compruebe el nivel de aceite. Asegúrese que el aceite alcance la marca FULL (B) en la varilla.
4. Para añadir aceite, vierta el aceite lentamente por dentro del tubo de llenado de aceite (C). **No llene excesivamente.** Después de añadir aceite, espere un minuto y vuelva a comprobar el nivel de aceite.
5. Coloque y apriete la varilla indicadora de nivel de aceite.

Recomendaciones para el Combustible

El combustible debe cumplir con estos requerimientos:

- gasolina limpia, fresca y libre de plomo.
- Un mínimo de 87 octanos/87 AKI (91 RON). Vea a continuación si se usa a alta altitud.
- El uso de gasolina hasta con el 10% de ethanol (gasohol) es aceptable.

NOTIFICACIÓN: No use gasolina que no haya sido aprobada tal como E15 y E85. No mezcle el aceite con la gasolina, ni modifique el motor para operarlo con combustibles alternos. Esto dañará los componentes del motor e **invalidará la garantía del motor.**

Para proteger el sistema de combustible de la formación de depósitos de goma, mézclele un estabilizador de combustible cuando le añada combustible. Consulte el aparte **Bodegaje**. Todos los combustibles no son los mismos. Si se presentan problemas de arranque o de rendimiento, cambie de proveedores de combustible o de marca. Este motor está certificado para operar con gasolina. El sistema de control de emisiones para este motor es EM (Modificaciones del Motor).

Alta Altitud

A elevaciones superiores a 5.000 pies (1524 metros), es aceptable gasolina con un mínimo de 85 octanos/85 AKI (89 RON). A fin de cumplir con las emisiones, se requiere ajuste para gran altitud. El operar sin éste ajuste causará una disminución en el rendimiento, un aumento del consumo de combustible y un aumento en las emisiones. Consulte con un distribuidor autorizado de Briggs & Stratton con relación al ajuste para gran altitud.

No se recomienda operar el motor a elevaciones inferiores a 2.500 pies (762 metros) con el juego para gran altitud.

Cómo Añadir Combustible - Figura 3



ADVERTENCIA



El combustible y sus vapores son extremadamente inflamables y explosivos.



Un incendio o una explosión pueden causar graves quemaduras o la muerte.

Cuando Aprovisione con Combustible

- Apague el motor y deje que el motor se enfríe por lo menos 2 minutos antes de remover la tapa de combustible.
- Llene el tanque de combustible en exteriores o en un área bien ventilada.
- No llene demasiado el tanque de combustible. Para permitir la expansión del combustible no llene por encima de la parte inferior del cuello del tanque de combustible
- Mantenga el combustible a distancia de chispas, llamas abiertas, testigos piloto, calor y otras fuentes de encendido.
- Compruebe con frecuencia si existen grietas o fugas en las mangueras de combustible, el tanque, la tapa y en los accesorios. Cámbielos si es necesario
- Si se derramó combustible, espere hasta que se haya evaporado antes de darle arranque al motor.

1. Limpie el área de la tapa de combustible de polvo y desechos. Retire la tapa de combustible (A). (Figura 3).
2. Llene el tanque de combustible (B) con combustible. Para permitir la expansión de la gasolina, no lo llene por encima de la parte inferior del cuello del tanque de combustible (C).
3. Re-instale la tapa de combustible.

Cómo Darle Arranque al Motor - Figura 5 6 8



ADVERTENCIA



La retracción rápida de la cuerda de arranque (contragolpe) le halará la mano y el brazo hacia el motor más rápido de lo que usted la pueda dejar ir.

Podrían ocasionarse roturas de huesos, fracturas, moretones o torceduras.

- Cuando le de arranque al motor, hale lentamente la cuerda hasta que se sienta resistencia y después hálela rápidamente para evitar un contragolpe.



ADVERTENCIA



El combustible y sus vapores son extremadamente inflamables y explosivos.



Un incendio o una explosión pueden causar graves quemaduras o la muerte.

Cuando le de Arranque al motor

- Asegúrese que la bujía, el mofle, la tapa de combustible y el filtro de aire (si está equipado) estén en su lugar, y firmemente asegurados.
- No haga girar el motor si removió la bujía.
- Si el motor se inunda, ajuste el estrangulador (si está equipado) en la posición OPEN/RUN, coloque el acelerador (si está equipado) en la posición FAST y haga girar el motor hasta que de arranque.



ADVERTENCIA



Los motores emiten monóxido de carbono, un gas venenoso que carece de olor y de color.

Respirar monóxido de carbono puede ocasionar náuseas, desmayos o la muerte.

- Dele arranque al motor y opérela en exteriores.
- No le de arranque al motor ni lo opere en un área encerrada, aun cuando las puertas o las ventanas se encuentren abiertas.

NOTIFICACIÓN: Este motor fue despachado de Briggs & Stratton sin aceite. Antes de darle arranque al motor, asegúrese de agregar aceite de acuerdo con las instrucciones de este manual. Si da arranque al motor sin que éste tenga aceite, se dañará hasta tal punto que no podrá ser reparado y no será cubierto por la garantía.

Nota: El equipo puede tener controles remotos. Vea el manual del equipo para la ubicación y operación de los controles remotos.

1. Compruebe el nivel de aceite. Vea la sección **Cómo Comprobar/Añadir Aceite**.
2. Asegúrese de que los controles de impulso del equipo, si están equipados, estén desengranados. Consulte en el manual de equipo la ubicación y operación de estos controles.
3. Mueva la válvula de cierre de combustible (A), si está equipada, hacia la posición on (Figura 5).
4. Mueva la palanca del control del estrangulador (B), si está equipado, hacia la posición choke

Nota: Generalmente el estrangulador no es necesario cuando se enciende un motor caliente.

5. Mueva la palanca del control del acelerador (C), si está equipado, hacia la posición fast . Opere el motor con la palanca del control del acelerador en la posición fast.
6. En motores equipados con suiche de parada (D), mueva el suiche a la posición on.
7. **Arranque retráctil:** Sostenga firmemente la manija de la cuerda de arranque (E). Hale lentamente la cuerda de arranque hasta que se sienta resistencia, después júlela rápidamente.

Nota: Si el motor no arranca después de varios intentos, visite **BRIGGSandSTRATTON.COM** o llame al **1-800-233-3723** (en los EE.UU.).



ADVERTENCIA:

La retracción rápida de la cuerda de arranque (contragolpe) le halará la mano y el brazo hacia el motor más rápido de lo que usted pueda dejar ir. Podrían ocasionarse roturas de huesos, fracturas, moretones o torceduras. Cuando le de arranque al motor, hale lentamente la cuerda hasta que se sienta resistencia y después hálela rápidamente para evitar un contragolpe.

8. **Arranque eléctrico con Llave de Seguridad (F):** Empuje la llave de seguridad (F). Oprima brevemente el suiche de arranque (G). Cuando arranque el motor suelte el suiche de arranque (Figura 6).
9. **Arranque eléctrico con Suiche de Llave de Automóvil (H):** Gire el suiche de llave (H) a la posición start . Cuando arranque el motor suelte el suiche de llave (Figura 8).

NOTIFICACIÓN: Para extender la vida del arranque, use ciclos de arranque cortos, que no excedan de 15 segundos por minuto. Una acción de arranque prolongada puede dañar el motor de arranque.

Nota: Si el motor no arranca después de varios intentos, visite **BRIGGSandSTRATTON.COM** o llame al **1-800-233-3723** (en los EE.UU.).

10. A medida que el motor se calienta, mueva el control del estrangulador (B) a la posición run (Figura 5).

Cómo Detener el Motor - Figura 7



ADVERTENCIA



El combustible y sus vapores son extremadamente inflamables y explosivos.

Un incendio o una explosión pueden causar graves quemaduras o la muerte.

- No use el estrangulador para detener el motor.

1. En modelos equipados con una palanca de control del acelerador (A), mueva la palanca de control del acelerador a la posición slow y luego a la posición stop (consulte la Figura 7).

Mueva el suiche de parada (B), si está equipado, a la posición stop.

Arranque eléctrico: Retire la llave de seguridad (C, Figura 7). Mantenga la llave de seguridad lejos del alcance de los niños.

Gire el suiche de llave (H, Figura 8) a la posición off . Retire el suiche de llave. Mantenga el suiche de seguridad lejos del alcance de los niños.

2. Después de que se detenga el motor, gire la válvula de cierre de combustible (D) a la posición cerrada. Consulte la Figura 7.

Mantenimiento

Recomendamos que contacte a cualquier Distribuidor Autorizado de Briggs & Stratton para todo lo relacionado con el mantenimiento y el servicio del motor y sus partes.

NOTIFICACIÓN: Todos los componentes utilizados para fabricar este motor deben mantenerse en su lugar para una correcta operación.

Control de Emisiones

El mantenimiento, cambio o reparación de los dispositivos y sistemas del control de emisiones pueden ser realizados por cualquier establecimiento o persona que repare motores todo terreno. Sin embargo, para obtener servicio de control de emisiones "sin costo", la labor debe ser realizada por un distribuidor autorizado por la fábrica. Vea la Garantía de Emisiones.

Cuadro de Mantenimiento

Las Primeras 5 horas
<ul style="list-style-type: none"> • Cambie aceite
Cada 8 Horas o Diariamente
<ul style="list-style-type: none"> • Compruebe el nivel de aceite del motor. • Limpie el área alrededor del mofle y los controles • Limpie el protector de dedos
Cada 25 horas o una vez al año
<ul style="list-style-type: none"> • Limpie el fitro de aire * • Limpie el pre-filtro *
Cada 50 horas o una vez por año
<ul style="list-style-type: none"> • Cambie el aceite del motor • Compruebe el mofle y el atrapachispas
Cada 100 horas
<ul style="list-style-type: none"> • Cambie el aceite del reductor (si llevara)
Anualmente
<ul style="list-style-type: none"> • Cambie el filtro de aire • Cambie el pre-filtro • Cambie la bujía • Cambie el filtro de combustible • Limpie el sistema de enfriamiento de aire * • Compruebe la tolerancia de la válvula **

* Limpie con mayor frecuencia en condiciones de mucho polvo o cuando el aire contenga muchas partículas.

** No se requiere a menos que se detecten problemas de rendimiento del motor.



ADVERTENCIA



Un chispeo involuntario puede producir un incendio o una descarga eléctrica.



Una puesta en marcha involuntaria puede ocasionar un enredo, una amputación traumática o una laceración.



Peligro de incendio

Antes de hacer ajustes o reparaciones:

- Desconecte el cable de la bujía y mántegalo a distancia de la bujía.
- Desconecte la batería en la terminal negativa (únicamente motores con arranque eléctrico).
- Use únicamente las herramientas correctas.
- No manipule los resortes del regulador, las varillas u otras partes para incrementar la velocidad del motor.
- Los repuestos deben ser del mismo diseño y ser instalados en la misma posición que tenían las partes originales. Es posible que otros repuestos no funcionen tan bien, dañen la unidad y hasta pueden ocasionar lesiones.
- No golpee la volante con un martillo ni con un objeto pesado ya que la volante podría astillarse más adelante durante la operación.

Cuando compruebe chispa:

- Utilice un probador aprobado.
- No compruebe chispa si removió la bujía.

Ajuste del Carburador

Nunca realice ajustes en el carburador. El carburador ha sido ajustado en la fábrica para operar eficientemente bajo la mayoría de las condiciones. Sin embargo, si se requiere que éste sea ajustado, consulte a cualquier distribuidor de servicio autorizado Briggs & Stratton.

NOTIFICACIÓN: El fabricante del equipo en el cual es instalado el motor especifica la velocidad máxima a la cual será operado el motor. **No exceda** esta velocidad.

Cómo Cambiar la Bujía - Figura 9

Compruebe el entrehierro (A, Figura 9) con un calibrador de espesor (B). Si es necesario, reajuste el entrehierro. Instale y apriete la bujía al par de apriete recomendado. Para el ajuste del entrehierro o el par de apriete, consulte la sección de **Especificaciones**.

Nota: En algunas áreas, las leyes locales requieren el uso de una bujía con resistencia para suprimir las señales de encendido. Si este motor vino originalmente equipado con una bujía con resistencia, utilice el mismo tipo de bujía cuando la reemplace.

Inspección del Mofle y el Atrapachispas - Figura 10



ADVERTENCIA



El funcionamiento de los motores produce calor. Las partes de los motores, especialmente el mofle, se calientan demasiado.



Pueden ocurrir graves quemaduras a causa de su contacto.

Desechos combustibles, tal como hojas, grama, maleza, etc. pueden alcanzar a encenderse.

- Deje que el mofle, el cilindro y las aletas del motor se enfríen antes de tocarlos.
- Remueva los desechos acumulados en el área del mofle y en el área del cilindro.
- Usar u operar el motor en un terreno que contenga bosques, arbustos o pasto es una violación al Código de Recursos Públicos de California, Sección 4442, a menos que el sistema de escape esté equipado con un atrapachispas, según se define en la Sección 4442, mantenido en excelente estado de funcionamiento. Otros estados o jurisdicciones federales pueden tener leyes similares. Contacte al fabricante, comerciante o distribuidor del equipo original para obtener un atrapachispas diseñado para el sistema de escape instalado en este motor.

Remueva los desechos acumulados en el área del mofle y en el área del cilindro. Inspeccione el mofle (A, Figura 10) en busca de grietas, corrosión u otros daños. Remueva el atrapachispas (B), en caso de estar equipado, e inspeccione en búsqueda de daños u obstrucciones de carbón. Si se encuentran daños, instale los repuestos antes de operar.



ADVERTENCIA: Los repuestos deben ser del mismo diseño y ser instalados en la misma posición que tenían las partes originales. Es posible que otros repuestos no funcionen tan bien, dañen la unidad y hasta pueden ocasionar lesiones.

Cómo Cambiar el Aceite - Figura 11 12 13

El aceite usado es un producto de desecho peligroso. Disponga del aceite usado apropiadamente. No lo descarte en la basurera de la casa. Verifique con sus autoridades locales, con el centro de servicio, o con su distribuidor para obtener información acerca de las facilidades seguras para su destrucción/reciclaje.

Remoción del Aceite

1. Con el motor apagado pero aún caliente, desconecte el cable de la bujía (A) y manténgalo a distancia de la bujía (Figura 11).
2. Retire el tapón de drenaje de aceite (B, Figura 12). Drene el aceite en un recipiente apropiado.

Nota: Cualquiera de los tapones de drenaje de aceite mostrados a continuación puede estar instalado en el motor.



3. Después de haber drenado el aceite, instale y apriete el tapón de drenaje de aceite.

Aprovisionamiento de aceite

- Coloque el motor a nivel.
- Limpie el área de llenado de aceite de todo desecho.
- Consulte la sección de **Especificaciones** para la capacidad del aceite.

Modelos con Tapón de Llenado de Aceite

1. Remueva el tapón de llenado de aceite (D, Figura 12).
2. Vierta el aceite lentamente en el llenado de aceite del motor (E). Llène hasta el punto de desborde.
3. Vuelva a colocar y apriete el tapón de llenado de aceite.

Modelos con varilla corta

1. Remueva la varilla indicadora de nivel de aceite (F, Figura 12) y límpiela con un trapo limpio.
2. Vierta el aceite lentamente en el llenado de aceite del motor (E). Llène hasta el punto de desborde.
3. Instale la varilla indicadora de nivel de aceite pero **no** la atornille. Remueva y verifique el nivel de aceite. El nivel de aceite debería estar en la marca FULL (G) sobre la varilla indicadora de nivel de aceite.
4. Coloque y apriete la varilla indicadora.

Modelos con varilla extendida

1. Remueva la varilla indicadora de nivel de aceite (F, Figura 13) y límpiela con un trapo limpio.
2. Vierta el aceite lentamente por dentro del tubo de llenado de aceite (E). **No llene excesivamente.** Después de añadir aceite, espere un minuto y vuelva a comprobar el nivel de aceite.

es

3. Coloque y apriete la varilla indicadora.
4. Remueva la varilla y compruebe el nivel de aceite en la varilla. El aceite debe llegar hasta la marca FULLG.
5. Coloque y apriete la varilla indicadora.

Cómo Darle Servicio al Filtro de Aire - Figura 14 15 16



ADVERTENCIA



El combustible y sus vapores son extremadamente inflamables y explosivos.



Un incendio o una explosión pueden causar graves quemaduras o la muerte.

- Nunca arranque u opere el motor si removió el conjunto del filtro de aire o el filtro de aire.

NOTIFICACIÓN: No use aire a presión ni solventes para limpiar el filtro. El aire a presión puede dañar el filtro y los solventes lo disolverán.

El sistema de pre-filtro utiliza un filtro plegado con un pre-filtro opcional. El pre-filtro puede ser lavado y reutilizado.

Filtro de aire plano (Figura 14 y Figura 15)

1. Afloje el sujetador (D) que sostiene la tapa (A).
2. Abra la tapa y remueva el pre-filtro (C) y el filtro (B).
3. Para aflojar los desechos, golpee suavemente el filtro sobre una superficie dura. Si el filtro está excesivamente sucio, reemplácelo con un nuevo filtro.
4. Lave el pre-filtro en detergente líquido y agua. Luego déjelo secar completamente al aire. **No** aceite el pre-filtro.
5. Monte el pre-filtro seco en el filtro con el labio (G) del pre-filtro sobre la parte inferior de los pliegues del filtro.
6. Instale el filtro.
7. Para modelos equipados con filtro de aire mostrados en Figura 14, instale las lengüetas de la tapa (E) en las muescas (F).
8. Cierre la tapa y asegure con el sujetador.

Filtro de Aire Oval (Figura 16)

1. Afloje el sujetador (D) que sostiene la tapa (A).
2. Abra la tapa y remueva el pre-filtro (C) y el filtro (B).
3. Remueva el pre-filtro (C), si está equipado, del filtro. Para aflojar los desechos, golpee suavemente el filtro sobre una superficie dura. Si el filtro está excesivamente sucio, reemplácelo con un nuevo filtro.
4. Lave el pre-filtro en detergente líquido y agua. Luego déjelo secar completamente al aire. **No** aceite el pre-filtro.
5. Monte el pre-filtro seco en el filtro.
6. Instale el filtro y el pre-filtro en la base (E) y sobre el tornillo pasante (F). Asegúrese de que el filtro se acopla firmemente a la base.
7. Instale la tapa del filtro de aire y asegure con el sujetador. Cerciórese de que el sujetador quede apretado.

Cómo cambiar el aceite del reductor - Figura 17

Si su motor está equipado con una unidad reductora, proceda como sigue para prestarle cuidados.

1. Retire el tapón de llenado de aceite (B) y el tapón de nivel de aceite (C).
 2. Retire el tapón de drenaje de aceite (A, Figura 17) y drene el aceite en un recipiente apropiado.
 3. Coloque y ajuste el tapón de drenaje de aceite.
 4. Para llenar, vierta lentamente aceite de lubricación en el orificio de llenado (vea la sección de **Especificaciones**). Continúe vertiendo hasta que el aceite salga por el orificio de nivel de aceite (C).
 5. Coloque y ajuste el tapón de nivel de aceite.
 6. Coloque y ajuste el tapón de llenado de aceite.
- Importante:** El tapón de llenado de aceite tiene un orificio de ventilación (D) y debe ser instalado sobre la parte superior de la tapa de la caja del reductor, como se muestra.

Cómo Limpiar el Sistema de Enfriamiento de Aire - Figura 19



ADVERTENCIA



El funcionamiento de los motores produce calor. Las partes de los motores, especialmente el mofle, se calientan demasiado.



Pueden ocurrir graves quemaduras a causa de su contacto.

Desechos combustibles, tal como hojas, grama, maleza, etc. pueden alcanzar a encenderse.

- Deje que el mofle, el cilindro y las aletas del motor se enfríen antes de tocarlos.
- Remueva los desechos acumulados en el área del mofle y en el área del cilindro.

NOTIFICACIÓN: No use agua para limpiar el motor. El agua podría contaminar el sistema de combustible. Utilice un cepillo o un trapo seco para limpiar el motor.

Este es un motor enfriado por aire. Las suciedades o los desechos pueden restringir el flujo de aire y ocasionar recalentamiento en el motor, produciendo un desempeño pobre y una vida del motor reducida.

Utilice un cepillo o un trapo seco para remover los desechos del protector de dedos (A) (Figura 19). Mantenga las varillas, los resortes y los controles (B) limpios. Mantenga el área alrededor y por detrás del mofle (C) libre de todo desecho combustible.



ADVERTENCIA



El combustible y sus vapores son extremadamente inflamables y explosivos.
Un incendio o una explosión pueden causar graves quemaduras o la muerte.

- Mantenga el combustible a distancia de chispas, llamas abiertas, testigos piloto, calor y otras fuentes de encendido.
- Compruebe con frecuencia si existen grietas o fugas en las mangueras de combustible, el tanque, la tapa y en los accesorios. Cámbielos si es necesario.
- Antes de reemplazar el filtro, drene el tanque de combustible o cierre la válvula de paso de combustible.
- Los repuestos deben ser iguales e instalarse en la misma posición que tenían las partes originales.
- Si se derramó combustible, espere hasta que se haya evaporado antes de darle arranque al motor.

1. Antes de reemplazar el filtro de combustible (A, Figura18), si está equipado, drene el tanque de combustible o cierre la válvula de cierre de combustible. De lo contrario se pueden presentar fugas de combustible y suceder un incendio o una explosión.
2. Use pinzas para comprimir las lengüetas (B) sobre las abrazaderas (C), a continuación deslice las abrazaderas lejos del filtro de combustible. Retuerza y hale las mangueras de combustible (D) fuera del filtro de combustible.
3. Revise las mangueras de combustible para comprobar si hay grietas o fugas. Cambie si es necesario.
4. Reemplace el filtro de combustible por un filtro de reemplazo genuino.
5. Asegure las mangueras de combustible con las abrazaderas, como se muestra.

Bodegaje



ADVERTENCIA



El combustible y sus vapores son extremadamente inflamables y explosivos.



Un incendio o una explosión pueden causar graves quemaduras o la muerte.

Cuando Almacene el Combustible o el Equipo con Combustible en el Tanque

- Almacene a distancia de hornos, estufas, calentadores de agua u otros aparatos que utilicen testigos piloto u otras fuentes de encendido ya que estos pueden encender los vapores combustibles.

Sistema de Combustible

La lata de combustible se pasa cuando es almacenada durante más de 30 días. El combustible pasado ocasiona que se formen depósitos de goma y ácido en el sistema de combustible o en las partes esenciales del carburador. Para mantenerlo fresco utilice el estabilizador de combustible FRESH START® de Briggs & Stratton, disponible como un aditivo líquido o un cartucho concentrado de goteo.

No hay necesidad de drenar gasolina del motor si se agrega un estabilizador de combustible de acuerdo con las instrucciones. Deje correr del motor durante 2 minutos para circular el estabilizador a través del sistema de combustible. De ese modo el motor y el combustible pueden ser almacenados hasta por 24 meses.

Si la gasolina en el motor no ha sido tratada con un estabilizador de combustible, debe ser drenada a un recipiente aprobado. Deje correr del motor hasta que pare por falta de combustible. Se recomienda el uso de un estabilizador de combustible en el recipiente de almacenamiento para mantener la frescura.

Aceite del Motor

Cambie el aceite del motor mientras que el motor se encuentre todavía caliente.

Detección de Fallas

¿Necesita Asistencia? Vaya a BRIGGSandSTRATTON.COM o marque el teléfono 1-800-233-3723.

Especificaciones

Especificaciones del Motor

Modelo	120000
Desplazamiento	12,48 in ³ (205 cm ³)
Diámetro Interno del Cilindro	2,688 in (68,28 mm)
Carrera	2,200 in (55,88 mm)
Capacidad de Aceite del Motor	18 - 20 oz (0,54 - 0,59 L)

Especificaciones del reductor (si está equipado)

Tipo de Aceite del Reductor	80W-90
Capacidad de Aceite del Reductor	4 oz (0,12 L)

Especificaciones del Motor

Modelo	150000
Desplazamiento	15,24 in ³ (250 cm ³)
Diámetro Interno del Cilindro	2,970 in (75,44 mm)
Carrera	2,200 in (55,88 mm)
Capacidad de Aceite del Motor	18 - 20 oz (0,54 - 0,59 L)

Especificaciones del reductor (si está equipado)

Tipo de Aceite del Reductor	80W-90
Capacidad de Aceite del Reductor	4 oz (0,12 L)

Especificaciones de Ajuste *

Modelo	120000, 150000
Entrehierro de la Bujía	0,030 in (0,76 mm)
Apriete de la Bujía	180 lb-in (20 Nm)
Entrehierro Inducido	0,010 - 0,014 in (0,25 - 0,36 mm)
Tolerancia de la Válvula de Admisión	0,004 - 0,006 in (0,10 - 0,15 mm)
Tolerancia de la Válvula de Escape	0,009 - 0,011 in (0,23 - 0,28 mm)

* La potencia del motor disminuirá 3.5% por cada 1,000 pies (300 metros) sobre el nivel del mar y un 1% por cada 10° F (5.6° C) por encima de 77° F (25° C). Este operará satisfactoriamente a un ángulo de hasta 15°. Refiérase al manual del operador del equipo para obtener información acerca de los límites de operación permitidos en pendientes.

Especificaciones del Motor

Modelo	200000
Desplazamiento	18,63 in ³ (305 cm ³)
Diámetro Interno del Cilindro	3,120 in (79,24 mm)
Carrera	2,438 in (61,93 mm)
Capacidad de Aceite del Motor	26 - 28 oz (0,77 - 0,83 L)

Especificaciones del reductor (si está equipado)

Tipo de Aceite del Reductor	SAE 30
Capacidad de Aceite del Reductor	12 oz (0,35 L)

Especificaciones del Motor

Modelo	210000
Desplazamiento	20,85 in ³ (342 cm ³)
Diámetro Interno del Cilindro	3,300 in (83,81 mm)
Carrera	2,438 in (61,93 mm)
Capacidad de Aceite del Motor	26 - 28 oz (0,77 - 0,83 L)

Especificaciones del reductor (si está equipado)

Tipo de Aceite del Reductor	SAE 30
Capacidad de Aceite del Reductor	12 oz (0,35 L)

Especificaciones de Ajuste *

Modelo	200000, 210000
Entrehierro de la Bujía	0,030 in (0,76 mm)
Apriete de la Bujía	180 lb-in (20 Nm)
Entrehierro Inducido	0,008 - 0,012 in (0,20 - 0,30 mm)
Tolerancia de la Válvula de Admisión	0,004 - 0,006 in (0,10 - 0,15 mm)
Tolerancia de la Válvula de Escape	0,004 - 0,006 in (0,10 - 0,15 mm)

Partes de Servicio Comunes

Parte de Servicio	Numero de parte	Parte de Servicio	Numero de parte
Filtro de Aire Plano	491588, 5043	Filtro de Combustible	694485
Pre-Filtro del Filtro de Aire Plano	493537, 5064	Aditivo de Combustible	5041, 5058
Filtro de Aire Oval, Modelo: 120000, 150000	697029, 5059	Bujía con Resistencia	491055
Pre-Filtro del Filtro de Aire Oval, Modelo: 120000, 150000	273356	Bujía de Platino de Larga Vida	5066
Filtro de Aire Oval, Modelo: 200000, 210000	695302	Llave de Bujía	89838, 5023
Pre-Filtro del Filtro de Aire Oval, Modelo: 200000, 210000	695303	Probador de Chispa	19368

✓ Recomendamos que contacte un Distribuidor Autorizado Briggs & Stratton para todo lo relacionado con el mantenimiento y el servicio del motor y sus partes.

GARANTIA LIMITADA

Briggs & Stratton Corporation reparará o reemplazará, sin costo alguno, cual(es)quier parte(s) del motor considerada(s) como defectuosas en material, mano de obra o ambos. Los gastos de transporte del producto sometido a reparación o cambio bajo esta Garantía deben ser abonados por el comprador. Esta garantía tiene vigencia y está sujeta a los períodos y condiciones establecidos a continuación. Para recibir servicio de garantía, contacte el Distribuidor de Servicio Autorizado más cercano en nuestro mapa de localización de distribuidores en BRIGGSandSTRATTON.COM, o marque el 1-800-233-3723, o según aparezca listado en las 'Páginas Amarillas'.

No existe ninguna otra garantía expresa. Las garantías implícitas, incluso aquellas de mercantilidad y adaptabilidad para un fin determinado quedan limitadas a un año a partir de la fecha de compra o a la extensión permitida por la ley. Quedan excluidas todas las garantías implícitas. La responsabilidad por daños fortuitos o consecuentes bajo cualesquier y todas las garantías queda excluida en la medida que dicha exclusión sea permitida por la ley. Algunos estados o países no contemplan limitaciones en cuanto a la duración de una garantía implícita, y otros países o estados no permiten la exclusión o limitación de daños consecuentes o incidentales, en cuyo caso la limitación y la exclusión anteriores pueden no ser aplicables para usted. Esta garantía le otorga derechos legales específicos, pudiendo tener a su vez otros derechos que varían de un país a otro y de un estado a otro.

TÉRMINOS ESTÁNDAR PARA GARANTÍA * ▲

Marca/Tipo de Producto	Uso Privado	Uso Comercial
Vanguard™ ■	3 años	3 años
Commercial Turf Series™	2 años	2 años
Extended Life Series™ ; I/C®; Intek™ I/C®; Intek™ Pro; Professional Series™ con Funda de Hierro Colado Dura-Bore™ ; 850 Series™ con Funda de Hierro Colado Dura-Bore™ ; Snow Series MAX™ con Funda de Hierro Colado Dura-Bore™ Todos los otros motores Briggs & Stratton que incorporan Funda de Hierro Colado Dura-Bore™	2 años	1 año
Todos los otros motores Briggs & Stratton	2 años	90 días

- * Éstos son nuestros términos de garantía estándares, pero de vez en cuando puede existir una cobertura adicional de la garantía que no fue determinada en el momento de la publicación. Para obtener un listado de los términos de garantía corrientes para su motor, vaya a BRIGGSandSTRATTON.COM o póngase en contacto con su Distribuidor de Servicio autorizado de Briggs & Stratton.
- ▲ Aplicaciones para Generadores Domésticos: Garantía de sólo 2 años para el consumidor. Los motores usados en aplicaciones de Generadores Domésticos están garantizados únicamente para uso privado. Esta garantía no se aplica a motores en equipos usados para energía principal en lugar de un servicio. **Los motores usados en eventos competitivos o en trayectorias comerciales o de renta no están cubiertos por la garantía.**
- Vanguard instalado en generadores standby: 2 años de uso por el consumidor, la garantía solo aplica para generadores en uso privado. Vanguard instalado en vehículos de servicio: 2 años de uso por el consumidor, 2 años para uso comercial. Vanguard para líquido enfriado de 3-cilindros: ver la Garantía en la Póliza de Propiedad 3/LC de Briggs & Stratton.

El período de garantía comienza a partir de la fecha en la cual lo compró el consumidor detallista original o usuario final comercial, y continúa por el período de tiempo establecido en la tabla anterior. "Uso privado" significa uso doméstico personal por el consumidor detallista original. "Uso Comercial" significa todos los otros usos, incluyendo fines comerciales o que produzcan ingresos o renta. Una vez que el motor haya experimentado uso comercial, será considerado en adelante como motor de uso comercial para fines de esta garantía.

No es necesario registrar la garantía para obtener servicio de Briggs & Stratton Products. Guarde su recibo de compra. Si no aporta la prueba de la fecha de compra inicial en el momento de requerir servicio de garantía, se utilizará la fecha de fabricación del producto para determinar el período de garantía.

Acerca de su Garantía

Briggs & Stratton recibe con agrado la reparación bajo garantía y le pedimos disculpas por los inconvenientes presentados. Cualquier Distribuidor de Servicio Autorizado puede hacer reparaciones bajo garantía. La mayor parte de las reparaciones bajo garantía se atienden de manera rutinaria, pero algunas veces las peticiones para el servicio de garantía pueden no ser apropiadas.

Si un cliente no está de acuerdo con la decisión del Distribuidor de Servicio, se realizará una investigación para determinar la aplicabilidad de la garantía. Pida a su Distribuidor de Servicio que envíe toda la información pertinente a su Distribuidor o a la Fábrica para proceder a su revisión. Si el Distribuidor o la Fábrica deciden que su reclamación es justificada, al cliente le será reembolsado totalmente el importe de aquellas partes que son defectuosas. Para evitar cualquier malentendido que pudiera presentarse entre el cliente y el Distribuidor de Servicio, listamos a continuación algunas de las causas de fallas del motor que no cubre la garantía.

Desgaste Normal: Los motores necesitan, como todos los dispositivos mecánicos, el cambio y el servicio periódico de las partes para desempeñarse bien. La garantía no cubrirá la reparación cuando el uso normal haya agotado la vida de una parte o del motor. La garantía no podrá aplicarse si el daño del motor ocurrió debido a abuso, falta del mantenimiento habitual, transporte, manejo, bodegaje o instalación inapropiados. De igual manera se invalidará la garantía si el número serial del motor ha sido removido o si el motor ha sido alterado o modificado.

Mantenimiento Incorrecto: La vida útil de un motor depende de las condiciones bajo las cuales opere el motor y del cuidado que éste reciba. Algunas aplicaciones, tales como cultivadoras, bombas y máquinas cortacésped rotantes, se utilizan con mucha frecuencia en condiciones de mucho polvo o en condiciones muy sucias, las cuales pueden hacer que parezca un desgaste prematuro del motor. Tal desgaste, cuando es ocasionado por suciedad, polvo o por el hecho de limpiar la bujía con chorro de arena, o porque otro material abrasivo haya entrado al motor debido a un mantenimiento no apropiado, no será cubierto por la garantía.

Esta garantía cubre únicamente, material defectuoso y/o mano de obra relacionados con el motor, y no el cambio o reembolso del equipo en el cual haya sido montado el motor. Ni extenderá la garantía a reparaciones requeridas debido a:

- 1 Problemas ocasionados por el uso de partes que no sean partes originales Briggs & Stratton.
- 2 Controles del equipo o instalaciones que impidan el arranque, ocasionando un rendimiento poco satisfactorio del motor, o que acorten la vida del motor. (Contacte el fabricante del equipo.)

- 3 Carburadores con fugas, conductos de combustible obstruidos, válvulas atascadas u otros daños causados por el uso de combustible contaminado o pasado.
- 4 Partes que se hayan rayado o reventado por operar el motor con aceite lubricante insuficiente o contaminado, o por el uso del grado de viscosidad de aceite incorrecto (compruebe el nivel de aceite y termine de aprovisionar cuando sea necesario, y cambie aceite según los intervalos recomendados.) El dispositivo protector del aceite OIL GARD no se puede apagar durante la operación del motor. Se podrían presentar daños en el motor si el nivel de aceite no se mantiene correctamente.
- 5 Reparación o ajuste de partes asociadas o conjuntos tales como embragues, transmisiones, controles remoto, etc., los cuales no son fabricados por Briggs & Stratton.
- 6 Daño o desgaste de partes causado por la entrada de suciedades al motor debido al mantenimiento incorrecto del filtro de aire, montaje incorrecto, o por el uso de un elemento o cartucho para el filtro de aire que no sea original. Limpie y/o cambie el filtro según los intervalos recomendados de acuerdo a lo establecido en el Manual del Operador.
- 7 Partes dañadas por velocidad excesiva o recalentamiento causado por residuos de grama, desechos o suciedades los cuales taponan u obstruyen las aletas de enfriamiento, o el área de la volante, o por daños causados por operar el motor en un área confinada sin la suficiente ventilación. Limpie los desechos del motor según los intervalos recomendados de acuerdo a lo establecido en el Manual del Operador.
- 8 Partes del motor o del equipo quebradas por vibración excesiva causada por un montaje flojo del motor, cuchillas de corte flojas, cuchillas o impulsores flojos o no balanceados, fijación incorrecta del equipo al cigüeñal del motor, velocidad excesiva u otro abuso en la operación.
- 9 Un cigüeñal deformado o quebrado causado por golpear con un objeto sólido la cuchilla de corte de una máquina cortacésped rotante, o por tensión excesiva de las correas en v.
- 10 Afinación o ajuste de rutina del motor.
- 11 Descuido del motor o de los componentes del motor, es decir, cámara de combustión, válvulas, asientos de válvulas, guías de válvulas o bobinados del motor de arranque quemados, causado por el uso de combustibles alternos tales como, gas propano, gas natural, gasolina con un contenido de etanol mayor del 10%, etc.

Se dispone del servicio de garantía únicamente a través de distribuidores de servicio autorizados por Briggs & Stratton Corporation. Localice su Distribuidor de Servicio Autorizado más cercano en nuestro mapa de localización de distribuidores en BRIGGSandSTRATTON.COM, o marcando el teléfono 1-800-233-3723, o según aparezca listado en las 'Páginas Amarillas'.

es

La Junta de Recursos Ambientales de California (CARB), la U.S. EPA y Briggs & Stratton (B&S) se complacen en explicarles la garantía del sistema de control de emisiones en su motor/equipo Modelo 2012-2013. En California, los motores pequeños todo terreno y los motores grandes con encendido por chispa de menos que o igual a 1,0 litros nuevos deben ser diseñados, fabricados y equipados para cumplir los estrictos estándares anti-smog del Estado. B&S debe garantizar el sistema de control de emisiones en su motor/equipo por el período de tiempo listado abajo, teniendo en cuenta que no haya habido abuso, negligencia o mantenimiento incorrecto en su motor o equipo.

Su sistema de control de emisiones incluye partes tales como: el carburador o sistema de inyección de combustible, el tanque de combustible, el sistema de encendido y el convertidor catalítico. También puede incluir mangueras, correas, conectores y otros conjuntos relacionados con el sistema de control de emisiones.

Siempre que exista una condición de garantía, B&S reparará su motor/equipo sin ningún costo para usted incluyendo el diagnóstico, las partes y la mano de obra.

Cobertura de la garantía del fabricante:

Los motores pequeños todo terreno y los motores grandes con encendido por chispa de menos que o igual a 1,0 litros se garantizan durante un período de dos (2) años. Si alguna de las partes relacionadas con emisiones en su motor/equipo se encuentra defectuosa, la parte será reparada o reemplazada por B&S.

Responsabilidades del Propietario de la Garantía:

- Como propietario del motor/equipo, usted es responsable de que se lleve a cabo el mantenimiento requerido el cual se indica en su manual del propietario. B&S le recomienda guardar todos sus recibos que cubran el mantenimiento en su motor/equipo, pero B&S no solo puede negar la garantía por la falta de recibos sino por su omisión al asegurar la realización de todo el mantenimiento programado.
- Como propietario del motor/equipo, usted tiene que darse cuenta que B&S puede negarle la cobertura de la garantía si su motor/equipo o una de sus partes ha fallado debido a abuso, negligencia, mantenimiento incorrecto o modificaciones no aprobadas.
- Usted tiene la responsabilidad de llevar su motor/equipo a un centro de distribución de B&S, concesionario de servicio, o entidad equivalente, según el caso, tan pronto como exista un problema. Las reparaciones bajo garantía deben realizarse dentro de un período razonable, no superior a 30 días. Si usted tiene alguna pregunta sobre sus derechos y responsabilidades en cuanto a garantía, debe ponerse en contacto con B&S al (414) 259-5262.

Provisiones de la Garantía del Sistema de Control de Emisiones de Briggs & Stratton Corporation

Las siguientes son provisiones específicas relativas a la Cobertura de la Garantía del Sistema de Control de Emisiones. Es un agregado a la garantía del motor B&S para los motores no-regulados que figuran en el Manual del Operador.

1. Partes relacionadas con emisión garantizadas

La cobertura bajo esta garantía se extiende únicamente a las partes listadas abajo (partes de los sistemas de control de emisiones) en el grado en que estas partes estaban presentes en el motor B&S y/o el sistema de combustible suministrado por B&S.

- a. Sistema de Medición de Combustible
 - Sistema de Enriquecimiento de Arranque en Frío (estrangulación suave)
 - Carburador y Partes Internas
 - Bomba de Combustible
 - Tubo de combustible, aditamentos tubo de combustible, abrazaderas
 - Tanque de combustible, cubierta y correa de sujeción
 - Filtro de carbón
- b. Sistema de Inducción de Aire
 - Filtro de Aire
 - Múltiple de Admisión
 - Manguera de purga y ventilación
- c. Sistema de Encendido
 - Bujía(s)
 - Sistema de Encendido con Magneto
- d. Sistema Catalizador
 - Convertidor Catalítico
 - Múltiple de Escape
 - Sistema de Inyección de Aire o Válvula de Pulsación
- e. Items Varios Usados en los Sistemas Anteriores
 - Vacío, Temperatura, Posición, Válvulas Sensitivas de Tiempo y Suiches
 - Conectores y Conjuntos

2. Duración de la Cobertura

Durante un período de dos (2) años a partir de la fecha original de compra, B&S garantiza al comprador original y a cada comprador subsiguiente que el motor ha sido diseñado, construido y equipado de manera que cumpla con todas las normas adoptadas por la Junta de Recursos Ambientales de California (CARB); que está libre de defectos de materiales y mano de obra que podrían causar la falla de una pieza garantizada; y que es idéntico en todos los aspectos importantes al motor descrito en la solicitud para certificación del fabricante. El período de garantía comienza en la fecha de la compra original del motor.

La garantía sobre las partes relacionadas con las emisiones es la siguiente:

- Cualquier parte garantizada la cual no esté programada para cambio de acuerdo con el mantenimiento requerido en el manual del propietario está garantizada durante el período de garantía antes mencionado. Si una parte tal falla durante el período de cobertura de la garantía, la pieza será reparada o sustituida por B&S sin costo alguno para el propietario. Cualquier parte reparada o sustituida de acuerdo con la garantía, estará garantizada por el resto del período de la garantía.
- Cualquier parte garantizada que esté programada únicamente para la inspección periódica en el manual del propietario suministrado está garantizada durante el período de garantía antes mencionado. Cualquier parte reparada o sustituida de acuerdo con la garantía, estará garantizada por el resto del período de la garantía.
- Cualquier parte garantizada la cual esté programada para cambio de acuerdo con el mantenimiento requerido en el manual del propietario suministrado está garantizada por el período previo al primer punto de reemplazo programado para esa parte. Si la parte falla antes del primer reemplazo programado, la pieza será reparada o sustituida por B&S sin costo alguno para el propietario. Cualquier pieza reparada o sustituida de acuerdo con la garantía, se garantizará por el resto del período con anterioridad al primer punto de reemplazo programado para esa pieza.
- Las partes adicionales o modificadas que no estén exentas por la Junta de Recursos Ambientales no pueden ser utilizadas. El uso de cualquier accesorio no exento o de partes modificadas por el propietario será motivo para desestimar una reclamación de garantía. El fabricante no se hace responsable por las fallas de partes garantizadas causadas por la utilización de un accesorio no exento o una parte modificada.

3. Cobertura Consecuente

La cobertura se extenderá hasta la falla de cualquiera de los componentes del motor ocasionada por la falla de cualesquier partes relacionadas con emisión que se encuentren bajo garantía.

4. Reclamos y Exclusiones de la Cobertura

Los reclamos de la garantía se completarán de acuerdo con las provisiones de la política sobre garantía del motor B&S. La cobertura de la garantía estará excluida para fallas de las partes relacionadas con emisiones que no sean partes originales B&S o para partes que fallen debido a abuso, negligencia o mantenimiento incorrecto según se establece en la política de garantía del motor B&S. B&S no se hace responsable de cubrir fallas de partes relacionadas con emisiones ocasionadas por el uso de partes adicionales o partes modificadas.

Busque el Período de Durabilidad de Emisiones y la Información del Índice de Aire Pertinentes en la Etiqueta de Emisiones de su Motor Pequeño Todo Terreno

Los motores que son certificados porque cumplen con las Normas de Emisiones para motores pequeños todo terreno de la Junta de Recursos Ambientales de California (CARB) deben mostrar la información referente al Período de Durabilidad de Emisiones y al Índice de Aire. Briggs & Stratton hace que esta información esté disponible para el consumidor en nuestras etiquetas de emisiones. La etiqueta de emisiones del motor indicará la información de certificación.

El **Período de Durabilidad de Emisiones** describe el número de horas del tiempo real de operación para el cual el motor tiene certificación de conformidad de emisiones, asumiendo un mantenimiento apropiado de acuerdo con las Instrucciones de Mantenimiento y Operación. Se utilizan las siguientes categorías:

Moderado:

El motor tiene certificación de conformidad de emisiones por 125 horas del tiempo real de operación del motor.

Intermedio:

El motor tiene certificación de conformidad de emisiones por 250 horas del tiempo real de operación del motor.

Extendido:

El motor tiene certificación de conformidad de emisiones por 500 horas del tiempo real de operación del motor. Por ejemplo, una máquina cortacésped típica de arrastrar es usada de 20 a 25 horas por año. Por lo tanto, el **Período de Durabilidad de Emisiones** de un motor con una **clasificación intermedia** debería ser equivalente de 10 a 12 años.

Se certifica que los motores Briggs & Stratton cumplen con las normas de emisiones Fase 2 o Fase 3 de la Agencia de Protección Ambiental de los Estados Unidos (USEPA). El Período de Conformidad de Emisiones al cual se refiere la Etiqueta de Conformidad de Emisiones indica el número de horas de operación para las cuales el motor ha demostrado que cumple con los requerimientos Federales sobre emisiones.

Para motores con un desplazamiento inferior a 225 cc.
Categoría C = 125 horas, Categoría B = 250 horas, Categoría A = 500 horas

Para motores con un desplazamiento de 225 cc o superior.
Categoría C = 250 horas, Categoría B = 500 horas, Categoría A = 1000 horas

Informations générales

Ce manuel contient des informations concernant la sécurité visant à attirer l'attention des usagers sur les dangers et les risques associés aux moteurs. Il contient aussi des instructions d'utilisation et d'entretien appropriées à ce moteur. Briggs & Stratton Corporation ne sachant pas forcément sur quel équipement ce moteur est monté, il est important de lire et de comprendre ces instructions ainsi que celles concernant l'équipement utilisé. **Conserver ces instructions originales pour un usage ultérieur.**

Pour obtenir des pièces de rechange ou une assistance technique, reporter ici les numéros de Modèle, Type et Code du moteur ainsi que la date d'achat. Ces numéros sont situés sur le moteur (voir la page **Caractéristiques et commandes**).

Date d'achat: _____

JJ/MM/AAAA

Modèle de moteur: _____

Modèle:

Type:

Code:

Puissance théorique

La puissance théorique brute pour chaque modèle de moteur à essence est indiquée conformément à la norme J1940 (procédure de calcul de la puissance et du couple des petits moteurs) de la SAE (Society of Automotive Engineers) et les performances théoriques ont été obtenues et corrigées selon SAE J1995 (révision 2002-05). Les valeurs de couple sont définies à 3060 tr/min et les valeurs de puissance sont définies à 3600 tr/min. Vous trouverez les courbes de puissance brute sur www.BRIGGSandSTRATTON.COM. Les valeurs nettes de puissance sont établies avec l'échappement et le filtre à air installés tandis que les valeurs brutes de puissance sont définies sans ces accessoires. La puissance brute réelle du moteur sera supérieure à la puissance nette et est influencée notamment par les conditions ambiantes de fonctionnement et les variations d'un moteur à l'autre. Compte tenu de la grande variété de machines sur lesquelles nos moteurs sont utilisés, il se peut que le moteur à essence ne développe pas sa puissance brute théorique une fois qu'il est monté sur une machine particulière. Cette différence s'explique par un grand nombre de facteurs, tels que (liste non limitative), les accessoires (filtre à air, échappement, admission, refroidissement, carburateur, pompe à essence, etc.), les limites d'utilisation, les conditions ambiantes d'utilisation (température, humidité, altitude) et les variations d'un moteur à l'autre. Pour des raisons de fabrication et de capacité limitées, Briggs & Stratton est susceptible de remplacer un moteur par une version plus puissante pour ces moteurs de série.

Sécurité de l'utilisateur

SYMBOLES DE SÉCURITÉ ET DE COMMANDE



Incendie



Pièces en mouvement



Huile



Fumées toxiques



Slow



Fast



Arrêter



Explosion



Choc



Essence



Starter



Marche Arrêt



Robinet d'essence



Retour brutal



Porter des lunettes



Produits chimiques dangereux




Lire le manuel



Surface très chaude



Engelures

Le symbole d'alerte de sécurité  est utilisé pour identifier des informations sur des risques qui peuvent entraîner des blessures. Un mot (DANGER, AVERTISSEMENT, ATTENTION) est utilisé avec le symbole d'alerte pour indiquer le risque de blessure. En outre, un signal de danger peut être utilisé pour représenter le type de risque.



DANGER indique un risque qui, s'il n'est pas éliminé, **entraînera la mort ou des blessures très graves.**



AVERTISSEMENT indique un risque qui, s'il n'est pas éliminé, **pourrait entraîner la mort ou des blessures très graves.**



ATTENTION indique un risque qui, s'il n'est pas éliminé, **pourrait entraîner des blessures mineures ou légères.**

AVIS indique une situation qui **pourrait endommager l'appareil.**



AVERTISSEMENT

Certains composants de ce produit et de ses accessoires contiennent des produits chimiques connus dans l'État de Californie pour provoquer des cancers et des troubles de la procréation. Se laver les mains après chaque manipulation.



AVERTISSEMENT

Les gaz d'échappement de ce moteur contiennent des substances chimiques pouvant causer des cancers, des malformations fœtales ou d'autres problèmes de fécondation.



AVERTISSEMENT

Les moteurs Briggs & Stratton ne sont pas conçus et ne doivent pas être utilisés pour alimenter les karts de loisir, les véhicules tout-terrain à destination des enfants ou usage récréatif ou sportif, les motocyclettes, les aéroglisseurs, les avions ou les véhicules utilisés au cours de compétitions non approuvées par Briggs & Stratton. Pour plus d'informations sur les produits destinés à la compétition, prière de consulter www.briggsracing.com. Pour une utilisation avec les véhicules tout-terrain utilitaires et biplace côte à côte (SSV), prière de contacter Briggs & Stratton Engine Application Center, 1-866-927-3349. Une application inappropriée du moteur peut entraîner des blessures graves ou mortelles.

AVIS: Ce moteur a été expédié par Briggs & Stratton sans huile. Avant de le démarrer, s'assurer d'avoir fait le plein d'huile selon les instructions de ce manuel. Si le moteur est démarré sans huile, il sera endommagé irrémédiablement et ne sera pas couvert par la garantie.



AVERTISSEMENT



Le combustible et ses vapeurs sont extrêmement inflammables et explosifs.



Un incendie ou une explosion peut entraîner des blessures très graves ou même la mort.

Pour faire le plein

- Couper le moteur et le laisser refroidir au moins 2 minutes avant d'ouvrir le bouchon du réservoir.
- Remplir le réservoir de carburant à l'extérieur ou dans un local extrêmement bien ventilé.
- Ne pas trop remplir le réservoir. Pour permettre la dilatation du carburant, ne pas remplir plus haut que le bas du col du réservoir.
- Maintenir le carburant à l'écart des étincelles, des flammes directes, des veilleuses, de la chaleur et des autres sources d'étincelles.
- Contrôler que les durites, le réservoir, le bouchon et les raccords de carburant ne présentent ni fissures ni fuites. Remplacer si nécessaire.
- Si du carburant a été renversé, attendre son évaporation complète avant de démarrer le moteur.

Pour démarrer le moteur

- S'assurer que la bougie, le bouchon du réservoir de carburant et le filtre à air sont le cas échéant montés et solidement fixés.
- Ne pas faire tourner le moteur avec la bougie enlevée.
- Si le moteur est noyé, placer le starter (le cas échéant) sur OPEN/RUN, amener l'accélérateur sur FAST et lancer le moteur jusqu'à ce qu'il démarre.

Lors de l'utilisation de l'équipement

- Ne pas faire basculer le moteur ou l'équipement au-delà d'un angle qui provoquerait le renversement du carburant.
- Ne pas actionner le starter pour arrêter le moteur.
- Ne pas démarrer ou faire fonctionner un moteur sans filtre à air ou avec le filtre à air enlevé (le cas échéant).

Vidange d'huile

- Pour vidanger l'huile du tube de remplissage, le réservoir de carburant doit être vide. Le carburant risque sinon de couler et de provoquer un incendie ou une explosion.

Pour transporter l'équipement

- Transporter avec le réservoir de carburant VIDE et le robinet de carburant en position FERMÉE.

Pour stocker du carburant ou l'équipement avec un réservoir plein

- Les ranger loin des chaudières, cuisinières, chauffe-eau ou tout autre appareil comportant une veilleuse ou une source susceptible de produire une étincelle, car ils pourraient enflammer les vapeurs de carburant.



AVERTISSEMENT



Le démarrage du moteur produit des étincelles. Les étincelles peuvent enflammer les gaz inflammables à proximité. Ceci pourrait provoquer une explosion ou un incendie.

- S'il y a une fuite de gaz naturel ou de GPL à proximité, ne pas démarrer le moteur.
- Ne pas utiliser de liquides de démarrage sous pression car leurs vapeurs sont inflammables.



AVERTISSEMENT



Les moteurs produisent du monoxyde de carbone, qui est un gaz toxique inodore et invisible.

L'inhalation de monoxyde de carbone peut provoquer des nausées, un évanouissement et entraîner la mort.

- Démarrer et faire fonctionner le moteur à l'extérieur.
- Ne pas démarrer ou faire fonctionner le moteur dans un local fermé, même si les portes et les fenêtres sont ouvertes.



AVERTISSEMENT



La rétraction rapide de la corde de lanceur (retour brutal) tirera votre main et votre bras vers le moteur beaucoup plus vite que vous ne pourrez les laisser partir.

Ceci pourrait entraîner des fêlures, des fractures, des ecchymoses ou des foulures.

- Pour démarrer le moteur, tirer lentement sur la corde jusqu'à sentir une résistance et tirer alors rapidement afin d'éviter l'effet de rétraction.
- Retirer tout équipement extérieur/charge avant de démarrer le moteur.
- Les composants directement couplés à l'équipement, tels que lames, turbines, poulies, engrenages, etc. sans que cette liste soit limitative, devront être fermement arrimés.



AVERTISSEMENT



Les pièces en rotation peuvent toucher ou saisir les mains, les pieds, les cheveux, les vêtements ou les accessoires.

Le résultat peut en être une amputation ou une lacération grave.

- Ne faire fonctionner l'équipement qu'avec les protections en place.
- Ne pas approcher les mains ou les pieds des pièces en mouvement.
- Attacher les cheveux longs et retirer les bijoux.
- Ne pas porter de vêtements amples, de ceintures larges pendantes ou tout vêtement pouvant être saisi.



AVERTISSEMENT



Un moteur en marche produit de la chaleur. Les pièces du moteur, et plus particulièrement le silencieux, deviennent extrêmement chaudes. Les toucher peut provoquer des brûlures sévères.

Les débris combustibles comme les feuilles, l'herbe, les broussailles peuvent s'enflammer.

- Laisser le silencieux, le cylindre du moteur et les ailettes refroidir avant de les toucher.
- Retirer les débris accumulés autour du silencieux et du cylindre.
- La Section 4442 du California Public Resource Code (Code des ressources publiques de Californie) interdit l'utilisation ou le fonctionnement du moteur dans des espaces recouverts de forêts, de broussailles ou d'herbe sauf si le système d'échappement est équipé d'un pare-étincelles, tel que défini dans la Section 4442, en bon état de fonctionnement. D'autres états ou juridictions fédérales peuvent appliquer des lois similaires. Contacter le fabricant, le distributeur ou le fournisseur d'origine de l'équipement pour obtenir un pare-étincelles conçu pour le système d'échappement installé sur ce moteur.



AVERTISSEMENT



Une étincelle accidentelle peut provoquer un incendie ou un choc électrique.



Un démarrage accidentel peut causer un étranglement, l'amputation ou la lacération d'un membre.

Risque d'incendie



Avant d'effectuer des réglages ou des réparations

- Débrancher le fil de bougie et l'attacher à bonne distance de la bougie.
- Débrancher le câble Négatif de la batterie (seulement pour les moteurs à démarrage électrique).
- N'utiliser que les outils corrects.
- Ne pas modifier les ressorts du régulateur, les tringles et autres pièces pour augmenter le régime du moteur.
- Les pièces de rechange doivent être strictement identiques et être installées dans la même position que les pièces d'origine. Des pièces autres risquent de ne pas fonctionner aussi bien, d'endommager l'unité et d'entraîner des blessures.
- Ne pas taper sur le volant moteur avec un marteau ou un objet dur cela pourrait entraîner une rupture ultérieure du volant pendant que le moteur fonctionne.

Contrôle de l'étincelle

- Utiliser un contrôleur homologué.
- Ne pas contrôler l'étincelle avec la bougie retirée.

Caractéristiques et commandes

Comparer l'illustration **1** avec votre moteur pour vous familiariser avec l'emplacement des différents composants et commandes.

A. Identification du moteur (située sur le couvercle)

Modèle Type Code

- B.** Bougie
- C.** Filtre à air (plat ou ovale)
- D.** Commande de starter
- E.** Robinet d'alimentation d'essence (en option)
- F.** Poignée du lanceur
- G.** Protège-mains
- H.** Commande d'accélérateur (en option)
- I.** Interrupteur d'arrêt (en option)
- J.** Réservoir de carburant avec bouchon
- K.** Jauge d'huile rehaussée (en option)
- L.** Jauge d'huile courte (en option)
- M.** Bouchon de vidange
- N.** Remplissage d'huile
- O.** Silencieux
 - Protection du silencieux (en option)
 - Pare-étincelles (en option)
- P.** Clé de sécurité (modèles à démarreur électrique)
- Q.** Interrupteur MARCHE/ARRÊT (modèles à démarreur électrique)
- R.** Réducteur (en option)
- S.** Contacteur à clé (modèles à démarreur électrique)

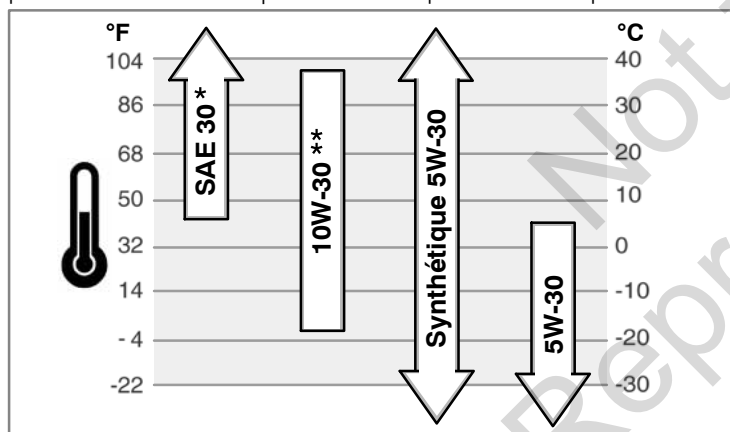
Fonctionnement

Capacité d'huile (voir la section **Spécifications**)

Recommandations concernant l'huile

Nous recommandons l'utilisation des huiles certifiées par Briggs & Stratton pour obtenir les meilleures performances. D'autres huiles détergentes de qualité sont acceptables si elles sont classées SF, SG, SH, SJ ou au-delà. Ne pas utiliser d'additifs.

La température extérieure détermine la viscosité de l'huile moteur. Utilisez le tableau pour sélectionner la viscosité qui convient à la température extérieure prévue.



* L'emploi d'huile SAE 30 au-dessous de 4°C (40°F) rend le démarrage difficile.

** L'utilisation d'une huile 10W-30 à des températures supérieures à 27°C (80°F) entraînera une consommation d'huile supérieure à la normale. Vérifier le niveau d'huile plus souvent.

Vérification/Plein d'huile - Figure 2 4

Avant de vérifier ou de faire le plein d'huile

- Mettre le moteur de niveau.
- Nettoyer le pourtour de l'orifice de remplissage de tout débris.

Modèles avec bouchon de remplissage (Figure 2)

1. Enlever le bouchon de remplissage (A).
2. Pour faire le plein, verser l'huile lentement dans le tube de remplissage (B). Remplir jusqu'au point de débordement.
3. Remettre le bouchon de remplissage et le serrer.

Modèles avec jauge d'huile courte (Figure 2)

1. Sortir la jauge (C) et la nettoyer avec un chiffon propre.
2. Insérer la jauge mais **ne pas** visser. Le niveau d'huile doit atteindre la marque FULL (D).
3. Pour faire le plein, verser l'huile lentement dans le tube de remplissage (B). Remplir jusqu'au point de débordement.
4. Remettre la jauge et la serrer.

Modèles avec jauge d'huile rehaussée (Figure 4)

1. Sortir la jauge (A) et la nettoyer avec un chiffon propre.
2. Mettre la jauge et la serrer.
3. Retirer la jauge et vérifier le niveau. L'huile doit être au ras de l'indicateur de niveau maximum (B) de la jauge.

4. Pour refaire le niveau, verser l'huile lentement dans le tube de remplissage (C). **Ne pas trop remplir.** Après avoir versé l'huile, attendre une minute et revérifier le niveau.
5. Remettre la jauge et la serrer.

Recommandations concernant le carburant

Le carburant doit répondre aux critères suivants:

- Essence récente, propre, sans plomb.
- Un indice minimum d'Octane de 87/87 AKI (91 RON). En cas d'utilisation en altitude, voir ci-après.
- L'essence contenant jusqu'à 10 % d'éthanol (bioéthanol) est acceptable.

AVIS: Ne pas utiliser d'essence non approuvée, comme la E15 et E85. Ne pas mélanger d'huile à l'essence ni modifier le moteur pour fonctionner avec des carburants alternatifs. Cela endommagerait le moteur et **annulerait la garantie moteur.**

Pour protéger le système d'admission d'essence contre la formation de gomme, mélanger un stabilisateur à l'essence. Voir le chapitre **Stockage**. Tous les carburants ne sont pas les mêmes. Si des problèmes de démarrage ou de fonctionnement surviennent, changer de fournisseur ou de marque d'essence. Ce moteur est certifié pour fonctionner à l'essence. Le système de contrôle des émissions de ce moteur est EM (Modifications Moteur).

Haute altitude

À des altitudes supérieures à 1524 mètres, une essence de 85 octane/85 AKI (89 RON) minimum est acceptable. Pour conserver les caractéristiques d'émission, un réglage spécial haute altitude est nécessaire. Faire fonctionner le moteur sans ce réglage fait baisser les performances, augmenter la consommation d'essence et les émissions. Consulter un Réparateur Agréé Briggs & Stratton pour plus d'informations sur le réglage haute altitude.

Le fonctionnement du moteur à une altitude inférieure à 762mètres avec le kit haute altitude n'est pas recommandé.

Plein d'essence - Figure 3



AVERTISSEMENT



Le combustible et ses vapeurs sont extrêmement inflammables et explosifs.



Un incendie ou une explosion peut entraîner des blessures très graves ou même la mort.

Pour faire le plein

- Couper le moteur et le laisser refroidir au moins 2 minutes avant d'ouvrir le bouchon du réservoir.
- Remplir le réservoir de carburant à l'extérieur ou dans un local extrêmement bien ventilé.
- Ne pas trop remplir le réservoir. Pour permettre la dilatation du carburant, ne pas remplir plus haut que le bas du col du réservoir.
- Maintenir le carburant à l'écart des étincelles, des flammes directes, des veilleuses, de la chaleur et des autres sources d'étincelles.
- Contrôler que les durites, le réservoir, le bouchon et les raccords de carburant ne présentent ni fissures ni fuites. Remplacer si nécessaire.
- Si du carburant a été renversé, attendre son évaporation complète avant de démarrer le moteur.

1. Nettoyer le pourtour du bouchon d'essence de la poussière et des débris. Enlever le bouchon d'essence (A, Figure 3).
2. Faire le plein (B) de carburant. Pour permettre la dilatation du carburant, ne pas remplir au-delà du bas du col de remplissage (C).
3. Remettre le bouchon du réservoir en place.

Démarrage du moteur - Figure 5 6 8



AVERTISSEMENT



La rétraction rapide de la corde de lanceur (retour brutal) tirera la main et le bras de l'opérateur vers le moteur beaucoup plus vite qu'il ne pourra les laisser partir.

Ceci pourrait entraîner des fêlures, des fractures, des ecchymoses ou des foulures.

- Pour démarrer le moteur, tirer lentement sur la corde jusqu'à sentir une résistance et tirer alors rapidement afin d'éviter l'effet de rétraction.



AVERTISSEMENT



Le combustible et ses vapeurs sont extrêmement inflammables et explosifs.



Un incendie ou une explosion peut entraîner des blessures très graves ou même la mort.

Pour démarrer le moteur

- S'assurer que la bougie, le bouchon du réservoir de carburant et le filtre à air sont le cas échéant montés et solidement fixés.
- Ne pas faire tourner le moteur avec la bougie enlevée.
- Si le moteur est noyé, placer le starter (le cas échéant) sur OPEN/RUN, amener l'accélérateur sur FAST et lancer le moteur jusqu'à ce qu'il démarre.



AVERTISSEMENT

Les moteurs produisent du monoxyde de carbone, qui est un gaz toxique inodore et invisible.





L'inhalation de monoxyde de carbone peut provoquer des nausées, un évanouissement et entraîner la mort.

- Démarrer et faire fonctionner le moteur à l'extérieur.
- Ne pas démarrer ou faire fonctionner le moteur dans un local fermé, même si les portes et les fenêtres sont ouvertes.


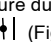
AVIS: ce moteur est livré par Briggs & Stratton sans huile. Avant de démarrer le moteur, faire le plein d'huile selon les instructions de ce manuel. Si on démarre le moteur sans huile, il sera endommagé sans possibilité de réparation et ne sera pas couvert par la garantie.

Remarque: Certains moteurs et équipements disposent de commandes à distance. Consulter le manuel de l'équipement concernant l'emplacement et le fonctionnement de ces commandes.

1. Vérifier le niveau d'huile. Voir le chapitre **Vérification/Plein d'huile**.
2. S'assurer que les commandes d'entraînement de l'équipement sont débrayées.
3. Tourner le robinet d'alimentation d'essence (A) (si prévu) sur la position ON (Figure 5).
4. Mettre le levier de commande du starter (B) sur la position CHOKE .
Remarque: Le starter est généralement superflu pour redémarrer un moteur chaud.
5. Mettre le levier de commande d'accélérateur (C), si l'appareil en est équipé, sur la position FAST . Faire toujours fonctionner le moteur avec le levier de commande d'accélérateur sur FAST.
6. sur les moteurs dotés d'un interrupteur d'arrêt (D), placer l'interrupteur sur la position ON.
7. **Démarrateur par lanceur:** prendre solidement en main la poignée du lanceur (E). Tirer lentement sur la corde jusqu'à sentir une résistance, puis tirer rapidement.
Remarque: Si le moteur ne démarre pas après plusieurs tentatives, consulter le site **BRIGGSandSTRATTON.COM** ou appeler le **1-800-233-3723** (aux États-Unis).



AVERTISSEMENT: La rétraction rapide de la corde de lanceur (retour brutal) tirera la main et le bras de l'opérateur vers le moteur beaucoup plus vite qu'il ne pourra les laisser partir. Ceci pourrait entraîner des fêlures, des fractures, des ecchymoses ou des foulures. Pour démarrer le moteur, tirer lentement sur la corde jusqu'à sentir une résistance et tirer alors rapidement afin d'éviter l'effet de rétraction.

8. **Démarrateur électrique avec clé de sécurité (F):** Enfoncer la clé de sécurité (F). Appuyer un instant sur le contacteur de démarrage (G). Lorsque le moteur démarre, relâcher le contacteur (Figure 6).
9. **Démarrateur électrique avec contacteur à clé de type automobile (H):** Tourner le contacteur à clé (H) vers la position de démarrage . Lorsque le moteur démarre, relâcher le contacteur (Figure 8).
AVIS: Pour prolonger la durée de vie du démarreur, ne l'utiliser que pendant de brèves périodes qui ne doivent pas dépasser 15 secondes par minute. Une utilisation prolongée du démarreur risque de l'endommager.
Remarque: Si le moteur ne démarre pas après plusieurs tentatives, consulter le site **BRIGGSandSTRATTON.COM** ou appeler le **1-800-233-3723** (aux États-Unis).
10. Au fur et à mesure du réchauffement du moteur, ramener le starter (B) sur la position RUN  (Figure 5).

Arrêt du moteur - Figure 7



AVERTISSEMENT






Le combustible et ses vapeurs sont extrêmement inflammables et explosifs.



Un incendie ou une explosion peut entraîner des blessures très graves ou même la mort.

- Ne pas actionner le starter pour arrêter le moteur.

1. Sur les modèles équipés d'un levier de commande d'accélérateur (A), placer ce dernier sur la position lente  puis la position d'arrêt  (voir Figure 7).
ou
Placer l'interrupteur d'arrêt (B) (le cas échéant) sur la position d'arrêt.
ou
Démarrateur électrique: Enlever la clé de sécurité (C, Figure 7). Maintenir la clé de sécurité hors de portée des enfants.
ou
Tourner le contacteur à clé (H, Figure 8) vers la position d'arrêt . Retirer le contacteur. Le maintenir hors de portée des enfants.
2. Une fois le moteur arrêté, placer le robinet d'alimentation (D) en position fermée. Voir Figure 7.

Entretien

Il est recommandé de consulter un Réparateur Agréé Briggs & Stratton pour tout l'entretien du moteur et l'acquisition de pièces.

AVIS: Tous les composants de ce moteur doivent rester à leur place d'origine pour que le moteur fonctionne correctement.

Contrôle des émissions

L'entretien, le remplacement ou la réparation des dispositifs et des systèmes de contrôle des émissions gazeuses peut être effectué par tout établissement ou individu spécialisé dans la réparation des moteurs autres que les moteurs automobiles. Néanmoins, pour que les réparations soient prises en charge par Briggs & Stratton au titre de la garantie, l'intervention doit être effectuée par un Réparateur Agréé. Voir la garantie des émissions.



AVERTISSEMENT



Une étincelle accidentelle peut provoquer un incendie ou un choc électrique.



Un démarrage accidentel peut causer un étranglement, l'amputation ou la lacération d'un membre.



Risque d'incendie

Avant d'effectuer des réglages ou des réparations

- Débrancher le fil de bougie et l'attacher à bonne distance de la bougie.
- Débrancher le câble Négatif de la batterie (seulement pour les moteurs à démarrage électrique).
- N'utiliser que les outils corrects.
- Ne pas modifier les ressorts du régulateur, les tringles et autres pièces pour augmenter le régime du moteur.
- Les pièces de rechange doivent être strictement identiques et être installées dans la même position que les pièces d'origine. Des pièces autres risquent de ne pas fonctionner aussi bien, d'endommager l'unité et d'entraîner des blessures.
- Ne pas taper sur le volant moteur avec un marteau ou un objet dur cela pourrait entraîner une rupture ultérieure du volant pendant que le moteur fonctionne.

Contrôle de l'étincelle

- Utiliser un contrôleur homologué.
- Ne pas contrôler l'étincelle avec la bougie retirée.

Tableau d'entretien

Après les 5 premières heures

- Vidanger l'huile

Toutes les 8 heures ou chaque jour

- Vérifier le niveau d'huile du moteur
- Nettoyer les zones autour du silencieux et des commandes
- Nettoyer le protège-doigts

Toutes les 25 heures ou une fois par an

- Nettoyer le filtre à air *
- Nettoyer le pré-filtre *

Toutes les 50 heures ou une fois par an

- Vidanger l'huile moteur
- Inspecter le silencieux et le pare-étincelles

Toutes les 100 heures

- Changer l'huile du réducteur (en option)

Une fois par an

- Remplacer le filtre à air
- Remplacer le pré-filtre
- Remplacer la bougie
- Remplacer le filtre à carburant
- Nettoyer le système de refroidissement par air *
- Contrôler le jeu des soupapes **

* Nettoyer plus souvent dans des conditions d'utilisation en atmosphère poussiéreuse ou chargée de débris aériens.

** Pas indispensable sauf en cas de problèmes de performances.

Réglage du carburateur

Ne pas procéder à des réglages du carburateur. Il a été réglé en usine pour fonctionner efficacement dans la plupart des applications. Néanmoins, si des réglages sont nécessaires, les confier à un Réparateur Agréé Briggs & Stratton.

AVIS: le fabricant de l'équipement sur lequel est monté ce moteur a spécifié le régime maximum à vide d'utilisation du moteur. **Ne pas dépasser** ce régime maximum.

Remplacement de la bougie - Figure 9

Vérifier l'écartement des électrodes (A, Figure 9) à l'aide d'une jauge d'épaisseur (B). Si nécessaire, régler l'écartement. Installer la bougie et la serrer avec le couple recommandé. Pour le réglage de l'écartement ou le couple, voir le chapitre **Spécifications**.

Remarque: dans certains pays, la législation impose l'emploi de bougies à résistance pour supprimer les parasites de l'allumage. Si ce moteur était équipé d'une bougie avec résistance, utiliser le même type de bougie lors de son remplacement.

Inspecter le silencieux et le pare-étincelles - Figure 10



AVERTISSEMENT



Un moteur en marche produit de la chaleur. Les pièces du moteur, et plus particulièrement le silencieux, deviennent extrêmement chaudes. Les toucher peut provoquer des brûlures sévères.



Les débris combustibles comme les feuilles, l'herbe, les broussailles peuvent s'enflammer.

- Laisser le silencieux, le cylindre du moteur et les ailettes refroidir avant de les toucher.
- Retirer les débris accumulés autour du silencieux et du cylindre.
- La Section 4442 du California Public Resource Code (Code des ressources publiques de Californie) interdit l'utilisation ou le fonctionnement du moteur dans des espaces recouverts de forêts, de broussailles ou d'herbe sauf si le système d'échappement est équipé d'un pare-étincelles, tel que défini dans la Section 4442, en bon état de fonctionnement. D'autres états ou juridictions fédérales peuvent appliquer des lois similaires. Contacter le fabricant, le distributeur ou le fournisseur d'origine de l'équipement pour obtenir un pare-étincelles conçu pour le système d'échappement installé sur ce moteur.

Retirer les débris accumulés autour du silencieux et du cylindre. Inspecter le silencieux (A, Figure 10) à la recherche de fissures, de corrosion ou autre dommage. Enlever le pare-étincelles (B), le cas échéant, et inspecter s'il est endommagé ou obstrué par des dépôts de carbone. En présence de pièces endommagées, les remplacer avant toute utilisation.



AVERTISSEMENT: Les pièces de rechange doivent être strictement identiques et être installées dans la même position que les pièces d'origine. Des pièces autres risquent de ne pas fonctionner aussi bien, d'endommager l'unité et d'entraîner des blessures.

Changement d'huile - Figure 11 12 13

L'huile usée est un produit dangereux qui doit être éliminé correctement. Ne pas la jeter avec les ordures ménagères. Vérifier le lieu de collecte ou de recyclage avec les autorités locales, le centre de services ou le concessionnaire.

Vidange de l'huile

1. Quand le moteur est arrêté mais encore chaud, débrancher le fil de bougie (A) et l'éloigner de la bougie (Figure 11).
2. Enlever le bouchon de vidange (B, Figure 12). Vidanger l'huile dans un récipient approuvé.

Remarque: Chacun des bouchons de vidange illustrés ci-après peut être monté sur ce moteur.



3. Quand toute l'huile a été vidangée, remettre le bouchon de vidange et le serrer.

Faire le plein d'huile

- Mettre le moteur de niveau.
- Nettoyer le pourtour de l'orifice de remplissage de tout débris.
- Voir les capacités en huile dans le chapitre *Spécifications*.

Modèles avec bouchon de remplissage

1. Retirer le bouchon de remplissage (D, Figure 12).
2. Verser l'huile lentement dans le tube de remplissage (E). Remplir jusqu'au point de débordement.
3. Remettre le bouchon de remplissage et le serrer.

Modèles avec jauge d'huile courte

1. Sortir la jauge (F, Figure 12) et la nettoyer avec un chiffon propre.
2. Verser l'huile lentement dans le tube de remplissage (E). Remplir jusqu'au point de débordement.
3. Remettre la jauge mais **ne pas** la visser. La retirer et vérifier le niveau d'huile. Le niveau d'huile doit atteindre la marque FULL (G) de la jauge.
4. Remettre la jauge et la serrer.

Modèles avec jauge d'huile rehaussée

1. Sortir la jauge (F, Figure 13) et la nettoyer avec un chiffon propre.
2. Verser l'huile lentement dans le tube de remplissage (E). **Ne pas trop remplir.** Après avoir versé l'huile, attendre une minute et revérifier le niveau.
3. Remettre la jauge et la serrer.
4. Retirer la jauge et vérifier le niveau. L'huile doit être au ras de l'indicateur de niveau maximum (G) de la jauge.
5. Remettre la jauge et la serrer.

Entretien du filtre à air - Figure 14 15 16



AVERTISSEMENT



Le combustible et ses vapeurs sont extrêmement inflammables et explosifs.



Un incendie ou une explosion peut entraîner des blessures très graves ou même la mort.

- Ne pas démarrer ou faire fonctionner un moteur sans filtre à air ou avec le filtre à air enlevé (le cas échéant).

AVIS: ne pas utiliser d'air comprimé ni de solvant pour nettoyer le filtre à air. L'air comprimé peut endommager le filtre, les solvants le dissoudre.

Le système de filtre à air utilise un filtre plié avec un pré-filtre optionnel. Ce dernier peut être lavé et réutilisé.

Filtre à air plat (Figure 14 et Figure 15)

1. Desserrer la fixation (D) qui maintient le couvercle (A).
2. Ouvrir le couvercle et enlever le pré-filtre (C) et le filtre (B).
3. Pour enlever les débris, tapoter doucement le filtre contre une surface dure. Si le filtre est excessivement encrassé, le remplacer par un neuf.
4. Nettoyer le pré-filtre avec un détergent liquide et de l'eau. Puis le laisser sécher soigneusement à l'air sec. **Ne pas** huiler le pré-filtre.
5. Monter le pré-filtre sec sur le filtre, en plaçant la lèvre (G) du pré-filtre à la base des plis du filtre.
6. Installer le filtre.
7. Sur les modèles équipés d'un filtre à air tel qu'indiqué dans Figure 14, installer les taquets du couvercle (E) dans les fentes (F).
8. Fermer le couvercle et attacher à l'aide d'une fixation.

Filtre à air ovale (Figure 16)

1. Desserrer la fixation (D) qui maintient le couvercle (A).
2. Ouvrir le couvercle et enlever le pré-filtre (C) et le filtre (B).
3. Enlever le pré-filtre (C), le cas échéant, du filtre. Pour enlever les débris, tapoter doucement le filtre contre une surface dure. Si le filtre est excessivement encrassé, le remplacer par un neuf.
4. Nettoyer le pré-filtre avec un détergent liquide et de l'eau. Puis le laisser sécher soigneusement à l'air sec. **Ne pas** huiler le pré-filtre.
5. Monter le pré-filtre sur le filtre.
6. Installer le filtre et le pré-filtre sur l'embase (E) et sur le goujon (F). S'assurer que le filtre est correctement monté sur l'embase.
7. Installer le couvercle du filtre à air et attacher à l'aide d'une fixation. S'assurer que la fixation est serrée.

Changement d'huile du réducteur - Figure 17

Si votre moteur est équipé d'un réducteur, procéder comme suit.

1. Enlever le bouchon de remplissage (B) et celui de niveau d'huile (C).
2. Enlever le bouchon de vidange (A, Figure 17) et vidanger l'huile dans un récipient approprié.
3. Remettre le bouchon de vidange et le serrer.
4. Pour faire le plein, verser lentement de l'huile de boîte dans l'orifice de remplissage (voir le chapitre *Spécifications*). Continuer à verser jusqu'à ce que l'huile déborde de l'orifice de niveau d'huile (C).
5. Remettre le bouchon de niveau d'huile et le serrer.
6. Remettre le bouchon de remplissage et le serrer.
Important: le bouchon de remplissage a un orifice d'évent (D) qui doit être installé sur le dessus du carter comme illustré.

Changement du filtre à carburant - Figure 18



AVERTISSEMENT



Le combustible et ses vapeurs sont extrêmement inflammables et explosifs.



Un incendie ou une explosion peut entraîner des blessures très graves ou même la mort.

- Maintenir le carburant à l'écart des étincelles, des flammes directes, des veilles, de la chaleur et des autres sources d'étincelles.
- Contrôler que les Durits, le réservoir, le bouchon et les raccords de carburant ne présentent ni fissures ni fuites. Remplacer si nécessaire.
- Avant de nettoyer ou de remplacer le filtre à carburant, vidanger le réservoir d'essence ou fermer le robinet d'essence.
- Les pièces de rechange doivent être d'origine et installées de la même façon que les pièces précédentes.
- Si du carburant a été renversé, attendre son évaporation complète avant de démarrer le moteur.

1. Avant de remplacer le filtre à carburant (A, Figure 18), si prévu, vidanger le réservoir de carburant ou fermer le robinet d'alimentation. Dans le cas contraire, le carburant risque de fuir et de provoquer un incendie ou une explosion.
2. Utiliser des pinces pour serrer les taquets (B) sur les agrafes (C), puis éloigner les agrafes du filtre à carburant en les faisant glisser. Tourner et retirer les canalisations d'alimentation (D) du filtre à carburant.

3. Contrôler que les canalisations d'alimentation ne présentent ni fissures ni fuites. Remplacer si nécessaire.
4. Remplacer le filtre à carburant par un filtre de rechange d'origine.
5. Fixer les canalisations d'alimentation à l'aide des agrafes comme indiqué.

Nettoyage du système de refroidissement par air - Figure 19



AVERTISSEMENT



Un moteur en marche produit de la chaleur. Les pièces du moteur, et plus particulièrement le silencieux, deviennent extrêmement chaudes. Les toucher peut provoquer des brûlures sévères.



Les débris combustibles comme les feuilles, l'herbe, les broussailles peuvent s'enflammer.

- Laisser le silencieux, le cylindre du moteur et les ailettes refroidir avant de les toucher.
- Retirer les débris accumulés autour du silencieux et du cylindre.

AVIS: ne pas utiliser d'eau pour nettoyer le moteur. L'eau peut contaminer le système d'alimentation en essence. Utiliser une brosse ou un chiffon sec pour nettoyer le moteur.

Ce moteur est refroidi par air. De la poussière ou des débris peuvent affecter le débit d'air et faire chauffer le moteur, ce qui réduit ses performances et sa durée de vie.

Utiliser une brosse ou un chiffon sec pour enlever les débris du protège-doigts (A) (Figure 19). Nettoyer les bielles, les ressorts et les commandes (B). Ne pas laisser les débris combustibles s'accumuler autour et derrière le silencieux d'échappement (C).

Stockage



AVERTISSEMENT



Le combustible et ses vapeurs sont extrêmement inflammables et explosifs.



Un incendie ou une explosion peut entraîner des blessures très graves ou même la mort.

Pour stocker du carburant ou l'équipement avec un réservoir plein

- Les ranger loin des chaudières, cuisinières, chauffe-eau ou tout autre appareil comportant une veilleuse ou une source susceptible de produire une étincelle, car ils pourraient enflammer les vapeurs de carburant.

Système d'alimentation

L'essence peut s'éventer quand on la stocke pendant plus de 30 jours. De l'essence éventée provoque des dépôts d'acide et de gomme dans le système d'alimentation et sur les principales pièces du carburateur. Pour maintenir l'essence propre, utiliser le stabilisateur d'essence FRESH START® de Briggs & Stratton, disponible sous forme d'additif liquide ou de cartouche de concentré à écoulement progressif.

Il n'est pas nécessaire de vidanger l'essence du moteur si un stabilisateur est ajouté conformément aux instructions. Faire fonctionner le moteur pendant 2 minutes pour faire circuler le stabilisateur dans le système d'alimentation. Le moteur et l'essence peuvent alors être stockés pendant une durée maximale de 24 mois.

Si l'essence n'a pas été traitée avec un stabilisateur, elle doit être vidangée dans un récipient approuvé. Faire fonctionner le moteur jusqu'à ce qu'il s'arrête en panne sèche. L'utilisation d'un stabilisateur d'essence dans le réservoir de stockage est recommandée pour en conserver la fraîcheur.

Huile moteur

Pendant que le moteur est encore chaud, changer l'huile du moteur.

Dépannage

Besoin d'aide? Aller sur BRIGGSandSTRATTON.COM ou appeler 1-800-233-3723.

Spécifications

Spécifications du moteur	
Modèle	120000
Cylindrée	12,48 ci (205 cc)
Alésage	2,688 in (68,28 mm)
Course	2,200 in (55,88 mm)
Capacité d'huile du moteur	18 - 20 oz (0,54 - 0,59 l)

Spécifications du réducteur (le cas échéant)	
Type d'huile du réducteur	80W-90
Capacité d'huile du réducteur	4 oz (0,12 l)

Spécifications du moteur	
Modèle	150000
Cylindrée	15,24 ci (250 cc)
Alésage	2,970 in (75,44 mm)
Course	2,200 in (55,88 mm)
Capacité d'huile du moteur	18 - 20 oz (0,54 - 0,59 l)

Spécifications du réducteur (le cas échéant)	
Type d'huile du réducteur	80W-90
Capacité d'huile du réducteur	4 oz (0,12 l)

Spécifications de réglage *	
Modèle	120000, 150000
Écartement des électrodes	0,030 in (0,76 mm)
Couple des électrodes	180 lb-in (20 Nm)
Entrefer bobine	0,010 - 0,014 in (0,25 - 0,36 mm)
Jeu de la soupape d'admission	0,004 - 0,006 in (0,10 - 0,15 mm)
Jeu de la soupape d'échappement	0,009 - 0,011 in (0,23 - 0,28 mm)

* La puissance du moteur décroît de 3,5% par 300 mètres d'altitude au-dessus du niveau de la mer et de 1% par 5,6°C au-delà de 25°C. Le moteur fonctionne normalement jusqu'à 15° d'inclinaison. Voir le manuel d'utilisation de l'équipement pour les limites autorisées de fonctionnement en pente.

Spécifications du moteur	
Modèle	200000
Cylindrée	18,63 ci (305 cc)
Alésage	3,120 in (79,24 mm)
Course	2,438 in (61,93 mm)
Capacité d'huile du moteur	26 - 28 oz (0,77 - 0,83 l)

Spécifications du réducteur (le cas échéant)	
Type d'huile du réducteur	SAE 30
Capacité d'huile du réducteur	12 oz (0,35 l)

Spécifications du moteur	
Modèle	210000
Cylindrée	20,85 ci (342 cc)
Alésage	3,300 in (83,81 mm)
Course	2,438 in (61,93 mm)
Capacité d'huile du moteur	26 - 28 oz (0,77 - 0,83 l)

Spécifications du réducteur (le cas échéant)	
Type d'huile du réducteur	SAE 30
Capacité d'huile du réducteur	12 oz (0,35 l)

Spécifications de réglage *	
Modèle	200000, 210000
Écartement des électrodes	0,030 in (0,76 mm)
Couple des électrodes	180 lb-in (20 Nm)
Entrefer bobine	0,008 - 0,012 in (0,20 - 0,30 mm)
Jeu de la soupape d'admission	0,004 - 0,006 in (0,10 - 0,15 mm)
Jeu de la soupape d'échappement	0,004 - 0,006 in (0,10 - 0,15 mm)

Pièces d'entretien courant

Pièce d'entretien	Référence
Filtre à air plat	491588, 5043
Pré-filtre du filtre à air plat	493537, 5064
Filtre à air ovale, Modèle: 120000, 150000	697029, 5059
Pré-filtre du filtre à air ovale, Modèle: 120000, 150000	273356
Filtre à air ovale, Modèle: 200000, 210000	695302
Pré-filtre du filtre à air ovale, Modèle: 200000, 210000	695303

Pièce d'entretien	Référence
Filtre à carburant	694485
Additif pour l'essence	5041, 5058
Bougie à résistance	491055
Bougie en platine longue durée	5066
Clé à bougie	89838, 5023
Contrôleur d'étincelle	19368

➤ Nous recommandons de voir un Réparateur Agréé Briggs & Stratton pour tout l'entretien de votre moteur et de ses pièces.

GARANTIE LIMITÉE

Briggs & Stratton remplacera ou réparera gratuitement toute(s) pièce(s) du moteur présentant un défaut de matière ou de fabrication ou les deux. Tous les frais de transport du produit destiné à être remplacé ou réparé au titre de la présente garantie restent à charge de l'acheteur. Cette garantie est applicable pendant la période et aux conditions prévues dans le présent document. Pour toute intervention sous garantie, cherchez le Réparateur Agréé Briggs & Stratton le plus proche dans la liste des Réparateurs sur notre site Internet BRIGGSandSTRATTON.COM ou en consultant les Pages Jaunes.

Il n'existe aucune autre garantie expresse. Les garanties implicites, y compris celles de la valeur marchande et d'adaptation à un objectif particulier, sont limitées à un an à partir de la date d'achat ou à la période légale admise. Toute autre garantie implicite est exclue. Notre responsabilité pour les dégâts provoqués par l'équipement ou les dommages-intérêts accessoires est exclue dans la limite des exclusions autorisées par la loi. Certains pays ou États n'autorisent pas la limitation de la durée de la garantie implicite et certains pays ou États n'autorisent pas l'exclusion ou la limitation des dégâts provoqués ou consécutifs à un accident, ce qui fait que les limitation et exclusion ci-dessus peuvent ne pas s'appliquer à vous. Cette garantie vous donne des droits légaux et vous pouvez bénéficier d'autres droits qui peuvent varier d'un pays à l'autre ou d'un État à l'autre.

CONDITIONS DE GARANTIE STANDARD * ▲

Marque/Type de produit	Usage privé	Usage professionnel
Vanguard™ ■	3 ans	3 ans
Commercial Turf Series™	2 ans	2 ans
Extended Life Series™ ; I/C®; Intek™ I/C®; Intek™ Pro; Professional Series™ avec chemise en fonte Dura-Bore™ ; 850 Series™ avec chemise en fonte Dura-Bore™ ; Snow Series MAX™ avec chemise en fonte Dura-Bore™ Tous les autres moteurs Briggs & Stratton avec chemise en fonte Dura-Bore™	2 ans	1 an
Tous les autres moteurs Briggs & Stratton	2 ans	90 jours

* Ces conditions sont nos conditions de garantie standard. Néanmoins, dans certains cas, nos produits peuvent bénéficier d'une couverture supplémentaire qui n'était pas déterminée au moment de la publication. Pour consulter les conditions de garantie actuelles de votre moteur, rendez-vous sur BRIGGSandSTRATTON.COM ou contactez le Réparateur Agréé Briggs & Stratton.

▲ Groupes électrogènes stationnaires: 2ans de garantie en usage privé. Pas de garantie en usage professionnel. Les équipements utilisés pour une alimentation principale en remplacement du réseau public d'électricité ne sont pas couverts par la présente garantie. **Les moteurs utilisés en compétition ou avec un but d'exploitation commerciale ou de location ne sont pas garantis.**

■ Vanguard installés sur les groupes électrogènes stationnaires: 2ans de garantie en usage privé, pas de garantie en usage professionnel. Vanguard installés sur des véhicules utilitaires: 2ans de garantie en usage privé, 2ans de garantie en usage professionnel. Vanguard 3cylindres refroidis à eau: consulter l'application de la garantie sur les moteurs Briggs & Stratton 3/LC.

La période de garantie débute à la date d'achat par l'acheteur particulier initial ou l'utilisateur professionnel final et continue pendant la période indiquée dans le tableau ci-dessus. «Usage privé» signifie utilisation pour l'entretien de sa résidence personnelle par un acheteur particulier. «Usage commercial» couvre toutes les autres utilisations, y compris dans un but commercial, de rentabilité ou de location. Dès qu'un moteur a servi à un usage commercial, il sera considéré comme moteur à usage commercial dans le cadre de la présente garantie.

Pour tous les équipements fabriqués par Briggs & Stratton, l'enregistrement de la garantie n'est pas obligatoire pour qu'elle prenne effet. Conservez le reçu comme preuve d'achat. Si, lors d'une demande d'intervention sous garantie, la date initiale d'achat ne peut être fournie, la date de fabrication du produit sert de référence pour déterminer la période de garantie.

Au sujet de la garantie

Briggs & Stratton se fera un plaisir d'effectuer une réparation en garantie tout en déplorant les inconvénients qu'elle peut vous occasionner. Tout Réparateur Agréé peut effectuer des réparations en garantie. La plupart des réparations en garantie sont effectuées sans discussion mais il peut arriver que la demande de réparation en garantie soit injustifiée.

Si le client n'est pas d'accord avec la décision d'un Réparateur Agréé, une enquête sera effectuée afin de déterminer si la garantie peut être appliquée. Demandez au Réparateur Agréé de soumettre tous les faits au Grossiste ou à l'usine pour examen. Si le Grossiste ou l'usine décide que la demande est justifiée, les articles reconnus défectueux seront intégralement remboursés au client. Afin d'éviter tout malentendu entre les propriétaires de moteurs et les Réparateurs Agréés Briggs & Stratton, nous indiquons ci-après quelques-unes des causes de défaillance des moteurs pour lesquelles le remplacement ou la réparation n'est pas couvert par la garantie.

Usure normale: Les moteurs, comme tous les dispositifs mécanisés, nécessitent un entretien régulier et le remplacement des pièces d'usure pour fonctionner correctement. Cette garantie ne couvre pas la réparation de pièces ou d'équipements usés par un usage normal. La garantie ne s'applique pas quand la défaillance du moteur est due à un abus, un manque d'entretien courant, l'expédition, la manutention, l'entreposage ou une mauvaise installation. Il en va de même si le numéro de série du moteur a été éliminé ou que le moteur a été modifié ou trafiqué.

Entretien inadéquat: La longévité d'un moteur dépend des conditions dans lesquelles il est utilisé et de l'entretien qu'il reçoit. Certaines applications, comme les motoculteurs, les pompes et les tondeuses, sont souvent utilisées dans un environnement poussiéreux ou sale, ce qui peut être la cause d'une usure pouvant paraître prématurée. Une telle usure, lorsqu'elle est consécutive à l'entrée de poussière, sable ou autre produit abrasif à cause d'un mauvais entretien, n'est pas couverte par la garantie.

Cette garantie couvre uniquement les pièces défectueuses et/ou la main-d'œuvre et pas le remplacement ou le remboursement de l'équipement sur lequel est monté le moteur. La garantie ne s'applique pas non plus aux réparations dues à:

- 1 Des problèmes provoqués par l'emploi de pièces non d'origine Briggs & Stratton.
- 2 Les commandes de l'équipement ou les dispositifs qui empêchent le démarrage, perturbent le fonctionnement du moteur ou abrègent sa durée de vie. (Contactez le fabricant de l'équipement.)
- 3 Les fuites de carburateur, l'obstruction des Durits d'alimentation, le gommage des soupapes ou autres dommages provoqués par une essence contaminée ou trop vieille.

- 4 Les pièces qui seraient rayées ou cassées du fait du fonctionnement du moteur avec un manque d'huile ou d'une huile polluée, ou encore d'un indice de viscosité de l'huile inadéquat (vérifier et refaire le niveau quand c'est nécessaire et vidanger aux périodes recommandées). Le dispositif OIL GARD peut ne pas couper un moteur en marche. Le moteur peut être endommagé si le niveau d'huile n'est pas maintenu régulièrement.
- 5 La réparation ou le réglage de pièces ou d'un groupe de pièces associées tels que les embrayages, transmissions, commandes à distance, etc., qui ne sont pas fabriqués par Briggs & Stratton.
- 6 Les dommages ou l'usure de pièces provoqués par la pénétration de poussière due au manque d'entretien ou au mauvais montage du filtre à air ou à l'emploi d'un élément ou d'une cartouche de filtre à air non d'origine. Aux intervalles recommandés, nettoyer et/ou remplacer le filtre comme indiqué dans le manuel d'utilisation.
- 7 Les pièces endommagées suite à un surrégime ou une surchauffe provoqués par l'obstruction des ailettes de refroidissement et de la zone du volant par des débris d'herbe ou de la poussière ou par l'utilisation du moteur dans un local fermé insuffisamment ventilé. Nettoyer les débris aux intervalles recommandés comme indiqué dans le manuel d'utilisation.
- 8 Le bris de pièces du moteur ou de l'équipement dû à des vibrations excessives résultant d'un serrage insuffisant des boulons de fixation du moteur, d'une lame ou d'une turbine desserrée ou mal équilibrée, d'une mauvaise adaptation de l'équipement sur le vilebrequin du moteur, d'un surrégime ou d'une mauvaise utilisation.
- 9 Vilebrequin faussé ou cassé suite au choc de la lame d'une tondeuse rotative sur un corps dur, ou d'une courroie trapézoïdale trop tendue.
- 10 Réglage ou mise au point normale du moteur.
- 11 La défaillance du moteur ou des pièces du moteur, telles que la chambre de combustion, les soupapes, sièges de soupapes, guides de soupapes ou bobinages du démarreur grillés, suite à l'emploi de carburants de substitution tels que du pétrole liquéfié, du gaz naturel, de l'essence formulée avec de l'éthanol à plus de 10 %, etc.

Les interventions sous garantie ne sont effectuées que par les Réparateurs Agréés par Briggs & Stratton Corporation. Recherchez-les dans la liste des Réparateurs sur notre site Internet BRIGGSandSTRATTON.COM ou en consultant les Pages Jaunes.

Le California Air Resources Board (CARB), l'U.S. EPA et Briggs & Stratton (B&S) ont le plaisir de vous expliquer la garantie du système de contrôle des émissions pour votre moteur/équipement fabriqué 2012-2013. En Californie, les petits moteurs à usage non routier et les gros moteurs à explosion d'un litre ou moins, neufs, doivent être conçus, fabriqués et équipés pour répondre aux normes sévères anti-effet de serre de l'Etat. B&S doit garantir le système de contrôle des émissions de votre moteur/équipement pendant les durées indiquées ci-après, en supposant que le moteur ou l'équipement n'ait pas fait l'objet d'abus, de négligence ou d'un mauvais entretien.

Le système de contrôle des émissions peut comprendre des pièces comme le carburateur ou le système d'injection de carburant, le réservoir de carburant, le système d'allumage et le convertisseur catalytique. Des durites, des courroies, des connecteurs, des capteurs et d'autres assemblages impliqués dans les émissions peuvent aussi en faire partie.

Si la condition de garantie est remplie, B&S réparera gratuitement votre moteur/équipement y compris le diagnostic, les pièces et la main-d'œuvre.

Couverture de la garantie du fabricant:

Les petits moteurs à usage non routier et les gros moteurs à explosion d'un litre ou moins sont garantis pendant une période de deux (2) ans. Si une pièce liée aux émissions de votre moteur/équipement est défectueuse, Briggs & Stratton la réparera ou la remplacera.

Dispositions de la garantie du système de contrôle des émissions de Briggs & Stratton

Suivent les dispositions particulières de la couverture de la garantie du système de contrôle des émissions. Elles viennent en complément de la garantie des moteurs B&S pour les moteurs non réglementés qui se trouve dans le manuel d'utilisation.

1. Pièces relatives au contrôle des émissions garanties

La couverture au titre de cette garantie ne s'étend qu'aux pièces énumérées ci-dessous (celles du système de contrôle des émissions) dans la mesure où ces pièces étaient présentes sur le moteur B&S et/ou le circuit d'alimentation prévu par B&S.

- a. Système de dosage du carburant
 - Système d'enrichissement pour démarrages à froid (starter)
 - Carburateur et pièces internes
 - Pompe à carburant
 - Durit et raccords de carburant, colliers
 - Réservoir de carburant, bouchon et câble d'attache
 - Réservoir à charbon activé
- b. Système d'admission d'air
 - Filtre à air
 - Collecteur d'admission
 - Conduite de vidange et de mise à l'air
- c. Système d'allumage
 - Bougie(s)
 - Système d'allumage par volant magnétique
- d. Système catalytique
 - Convertisseur catalytique
 - Collecteur d'échappement
 - Système d'injection d'air ou soupape d'impulsion
- e. Pièces diverses utilisées dans les systèmes ci-dessus
 - Soupapes et contacteurs de dépression, de température, de position et de durée
 - Raccords et assemblages

2. Durée de la couverture

Pendant une période de deux (2) ans à compter de la date de l'achat initial, B&S garantit à l'acheteur initial et à chaque acheteur suivant que le moteur est conçu, fabriqué et équipé de manière à être en conformité avec toutes les réglementations applicables adoptées par l'Air Resources Board, qu'il est exempt de tout défaut de matière ou de construction susceptible d'entraîner la défaillance d'une pièce garantie et qu'il est matériellement identique en tous points au moteur décrit dans la demande de certification du fabricant. La période de garantie démarre à la date de l'achat initial du moteur.

Responsabilités du propriétaire au titre de la garantie:

- En tant que propriétaire d'un moteur/équipement, vous êtes responsable de l'entretien nécessaire indiqué dans le manuel d'utilisation. B&S recommande de conserver toutes les factures de maintenance de votre moteur/équipement mais B&S ne peut renier la garantie uniquement à cause de l'absence de factures ou parce que tous les entretiens n'ont pas été effectués en temps prévu.
- En tant que propriétaire d'un moteur/équipement, vous devez néanmoins savoir que B&S peut refuser d'appliquer la garantie si la défectuosité de votre moteur/équipement ou d'une partie de celui-ci est due à un abus, une négligence, un entretien non correct ou des modifications non approuvées.
- Vous avez la responsabilité de confier votre moteur/équipement à un centre de distribution, un Réparateur Agréé ou toute entité équivalente de B&S, selon la solution applicable, dès que le problème apparaît. Les réparations effectuées sous garantie doivent l'être en un temps raisonnable qui ne doit pas excéder trente (30) jours. Si vous avez des questions concernant vos droits et vos responsabilités au titre de la garantie, contactez B&S au (414) 259-5262.

La garantie sur les pièces liées aux émissions est comme suit:

- Toute pièce garantie dont le remplacement n'est pas prévu dans le cadre de la maintenance obligatoire indiquée dans le manuel d'utilisation fourni est garantie pendant la période susmentionnée. Si cette pièce se révélait être défectueuse au cours de la période de garantie, elle serait réparée ou remplacée par B&S sans aucun frais pour le propriétaire. La pièce ainsi réparée ou remplacée sera garantie pour la période restante.
- Toute pièce garantie dont seule une inspection régulière est prévue dans le manuel d'utilisation fourni est garantie pendant la période susmentionnée. La pièce réparée ou remplacée dans le cadre de la garantie sera garantie pour la période restante.
- Toute pièce garantie dont le remplacement est prévu dans le cadre de la maintenance obligatoire indiquée dans le manuel d'utilisation fourni est garantie pendant la période précédant le premier remplacement prévu de cette pièce. Si cette pièce se révélait être défectueuse avant le premier remplacement prévu, elle serait réparée ou remplacée par B&S sans aucun frais pour le propriétaire. La pièce ainsi réparée ou remplacée sera garantie pour la période restante précédant le premier remplacement prévu de ladite pièce.
- Les pièces ajoutées ou modifiées qui ne sont pas exemptées par l'Air Resources Board ne peuvent être utilisées. L'utilisation par le propriétaire de pièces ajoutées ou modifiées non exemptées sera un motif de rejet de toute réclamation. Le fabricant ne peut en aucun cas être tenu de garantir les défaillances de pièces garanties dues à l'utilisation de pièces non exemptées ajoutées ou modifiées.

3. Couverture des conséquences

La présente couverture s'étend à la défaillance de tout composant du moteur due à la défaillance d'une pièce liée aux émissions garantie.

4. Réclamations et exclusions de garantie

Les réclamations sous garantie seront présentées selon les dispositions de la police de garantie des moteurs de B&S. La garantie ne couvre pas les défaillances de pièces liées aux émissions qui ne sont pas des pièces B&S d'origine ou les défaillances de pièces qui ont fait l'objet d'abus, de négligence ou d'un mauvais entretien ainsi qu'indiqué dans la police de garantie des moteurs de B&S. B&S n'est pas tenu de couvrir la garantie des défaillances des pièces liées aux émissions dues à l'utilisation de pièces rajoutées ou modifiées.

Consultez les informations sur la période de durabilité des émissions et l'indice d'air sur l'étiquette d'émissions du petit moteur à usage non routier

Les moteurs qui sont certifiés conformes à la norme d'émissions relatives aux petits moteurs à usage non routier du California Air Resources Board (CARB) doivent afficher l'information concernant la période de durabilité des émissions et l'indice d'air. Cette information est indiquée sur les étiquettes apposées sur les moteurs par Briggs & Stratton. L'étiquette du moteur indique les informations de certification.

La **période de durabilité des émissions** indique le nombre d'heures d'utilisation normale pour lequel le moteur est certifié conforme aux normes d'émissions sous réserve d'un entretien approprié tel qu'indiqué dans le manuel d'utilisation et d'entretien. Les catégories suivantes sont utilisées:

Modéré:

le moteur est certifié conforme pour 125 heures d'utilisation normale.

Intermédiaire:

le moteur est certifié conforme pour 250 heures d'utilisation normale.

Étendu:

le moteur est certifié conforme pour 500 heures d'utilisation normale. Par exemple, une tondeuse à conducteur marchant classique est utilisée 20 à 25 heures par an. Par conséquent, la **période de durabilité des émissions** d'un moteur de catégorie **intermédiaire** équivaudrait à une douzaine d'années.

Les moteurs Briggs & Stratton sont certifiés conformes aux normes environnementales d'émissions de la United States Environmental Protection Agency (U.S. EPA) Phase 2 ou Phase 3. La période de conformité d'émissions mentionnée sur les étiquettes indique le nombre d'heures d'utilisation pour lequel le moteur est en conformité avec les normes fédérales.

Pour les moteurs de cylindrée inférieure à 225 cm³.

Catégorie C = 125 heures, catégorie B = 250 heures et catégorie A = 500 heures.

Pour les moteurs de plus de 225 cm³.

Catégorie C = 250 heures, catégorie B = 500 heures et catégorie A = 1000 heures.