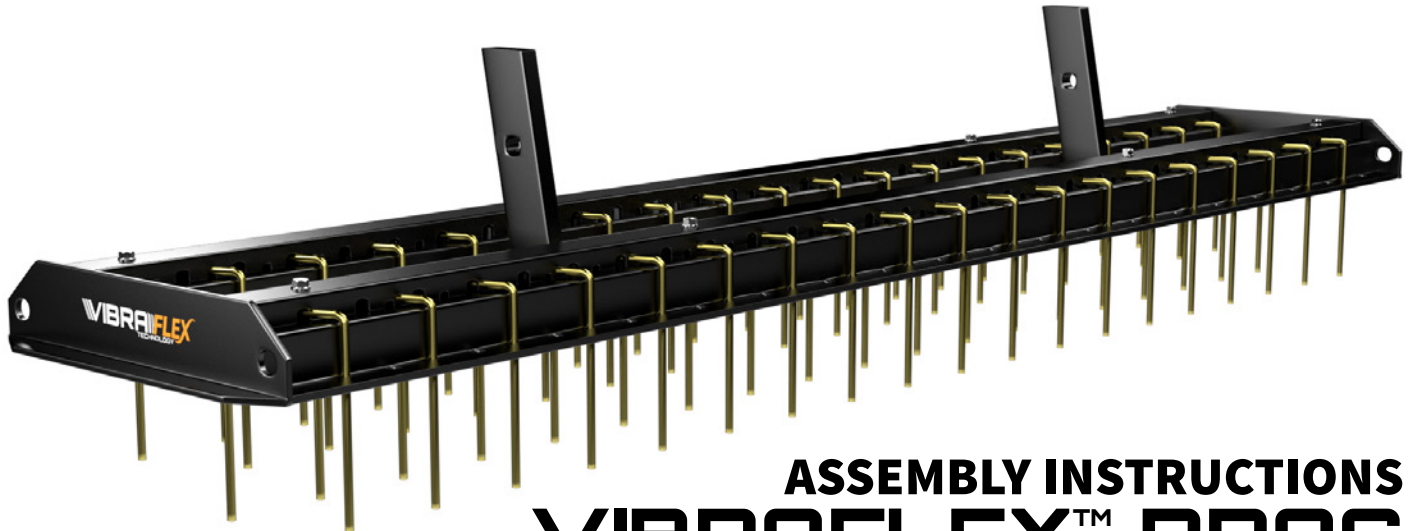


VIBRAIFLEX™

PATENT PENDING TECHNOLOGY



ASSEMBLY INSTRUCTIONS VIBRAIFLEX™ DRAG

MODEL 3800 OR MODEL 5800

INFIELD
RASCAL®

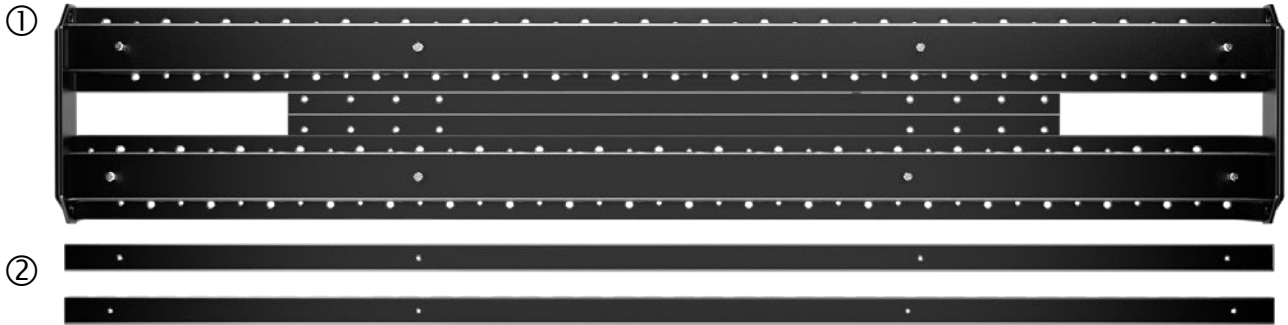
*abi***FORCE**™

*abi***SPORTS TURF**™
.COM

ABI – Absolute Innovations, Inc. ▪ 1320 Third St. | Osceola, IN 46561 ▪ (877) 788-7253

Customer Support: (855) 211-0598 ▪ www.ABIsupport.com

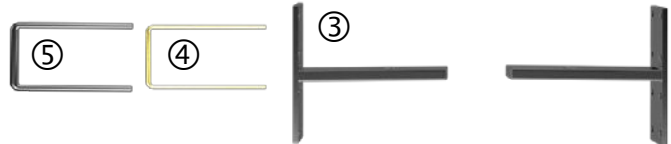
PARTS INCLUDED



① MAIN BODY

② 2 VIBRAFLEX™ U-PIN LOCKING BARS

③ 2 BODY POSTS



MODEL 3800:

④ 38 QTY. GOLD 1/4" VIBRAFLEX™ U-PINS

⑤ 38 QTY. BLACK 3/8" VIBRAFLEX™ U-PINS

MODEL 5800:

④ 58 QTY. GOLD 1/4" VIBRAFLEX™ U-PINS

⑤ 58 QTY. SILVER 1/8" VIBRAFLEX™ U-PINS

HARDWARE INCLUDED

(8) 1/2" FLAT WASHERS

(16) 9/16" LOCK WASHERS

(8) 1/2" LOCK WASHERS

(16) 9/16" BOLTS

(8) 1/2" NUTS

TOOLS NEEDED

- 1/2" WRENCH OR SOCKET
- (OPTIONAL) RUBBER MALLET
- 2 BLOCKS WITH AT LEAST 3.5" CLEARANCE OR TWO STURDY CHAIRS TO RAISE MAIN BODY
- 9/16" WRENCH
- 9/16" SOCKET (DEEP WELL RECOMMENDED)



NOTE: KEEP ALL HANDS AND FEET CLEAR OF PINS DURING TRANSPORT & USE.



NOTE: REFER TO THE DOCUMENTATION INCLUDED WITH YOUR INFIELD RASCAL® OR ABI FORCE™ FOR PROPER USE, ATTACHMENT INSTRUCTIONS, AND SAFETY PRECAUTIONS!



USE CAUTION WHEN STORING THIS TOOL. ENSURE THAT PINS ARE FACING DOWNWARD.



CAUTION: AN IMPROPERLY COUPLED TOOL CAN RESULT IN DAMAGE OR SERIOUS INJURY.

1)

After carefully lifting the parts to your VIBRAFLEX™ drag out of the box, make sure that all the pieces are present using the included list. The Vibraflex™ U-pin locking bars come loosely attached to the main body for transportation.

2)

Remove the Vibraflex™ U-pin locking bars from the main body using a wrench or your fingers. Set the hardware and caps aside. [fig. A]

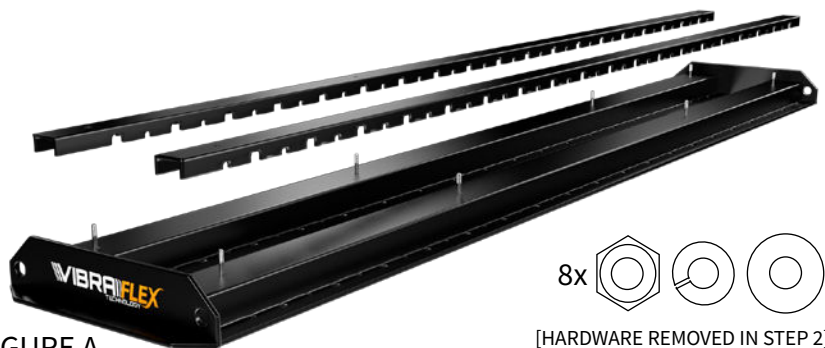


FIGURE A

3)

Prop the main body up on the blocks or chairs carefully. Make sure that the last pin holes on each end are not covered by the blocks or chairs. You should be able to rest about 1.5 inches on the blocks or chairs. [fig. B]

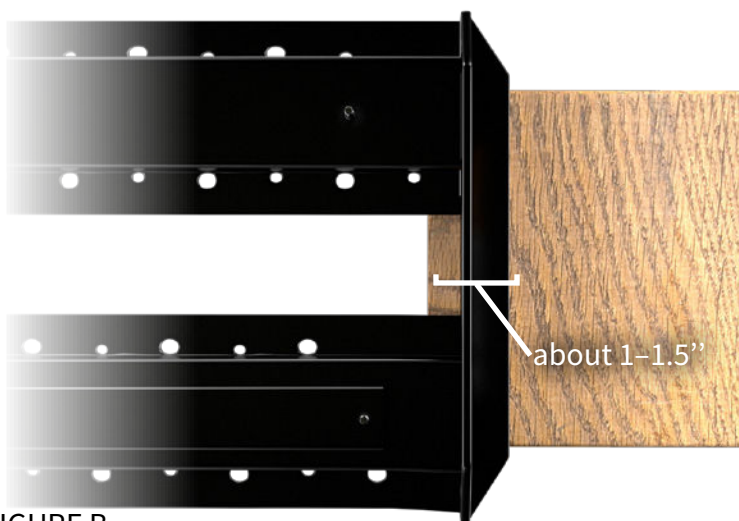


FIGURE B

4)

Line the two uprights up with the corresponding threaded holes on the main body. Make sure both are angled the same way. Then insert a **9/16\"/>**

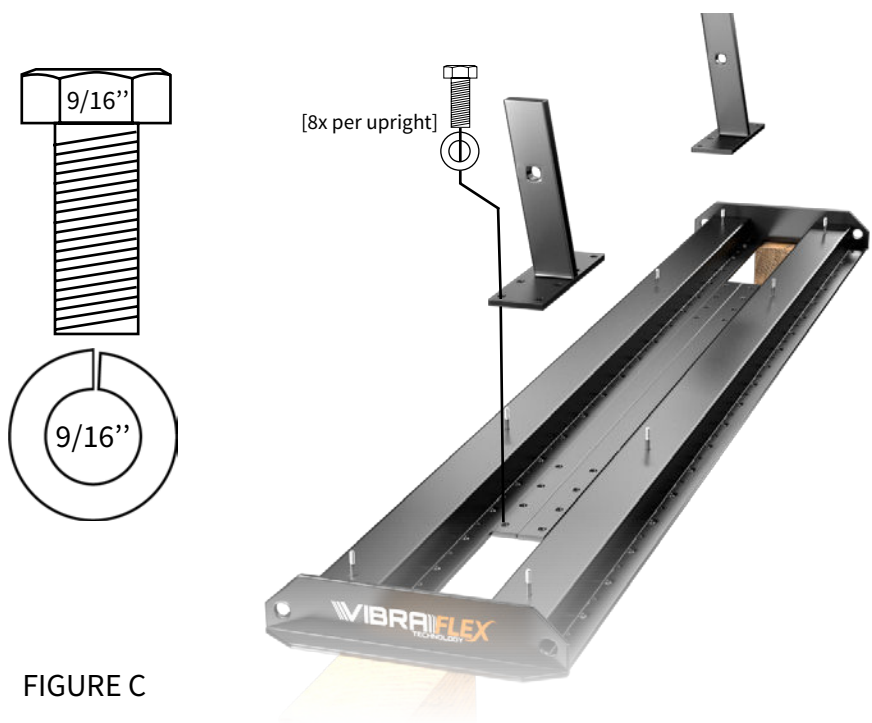


FIGURE C

5)

Choose which set of pins to insert (default is gold 1/4" pins), and carefully insert each of 38 OR 58 pins (depending on your model) into the correctly-sized holes (There should be a tight fit. Do not insert the smaller pins into the larger holes). For best results, only install one set of pins at a time. If desired, use a rubber mallet to ensure each pin is completely inserted. [fig. D]

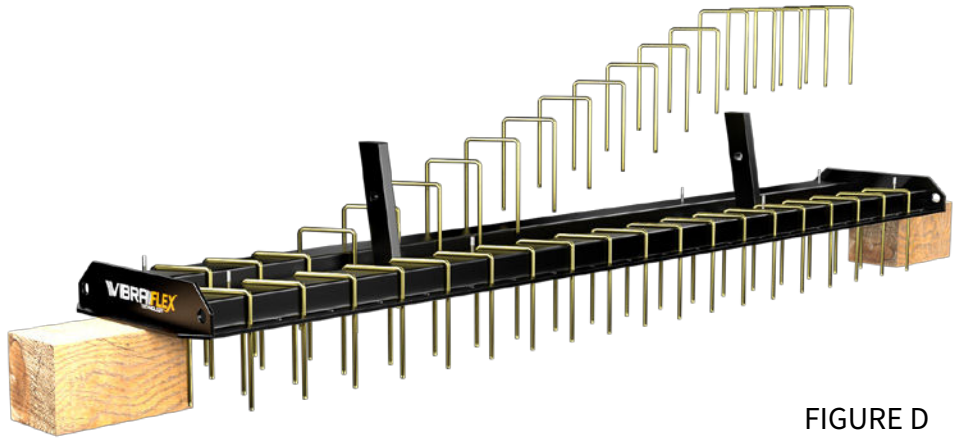


FIGURE D

6)

Replace the long *Vibraflex™ U-pin locking bars*, making sure that each pin is properly seated in the corresponding groove cut in the cap. Caps only fit onto the U-pins one way. Optional: Gently pound bars with the rubber mallet to ensure a tight and flush fit. [fig. E & F]

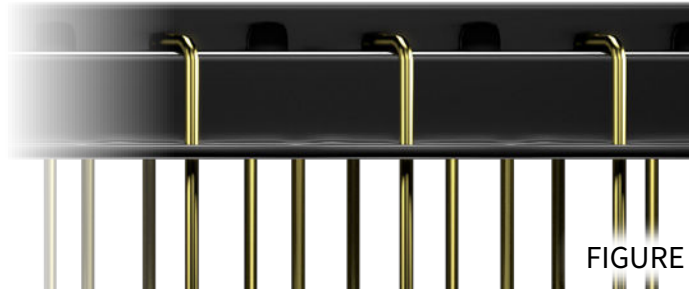


FIGURE E

7)

Place a **1/2" flat washer**, then a **1/2" lock washer**, and finally a **1/2" nut** on each of the attached body bolts. Tighten once all are properly seated, starting with the middle bolts and moving outward. Do not overtighten nuts. [fig. F]

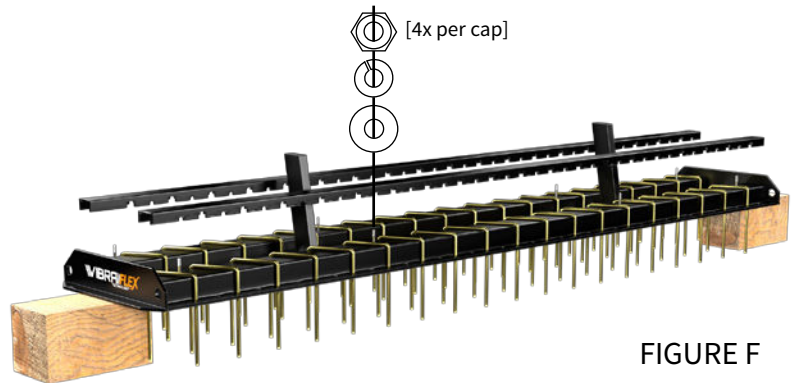
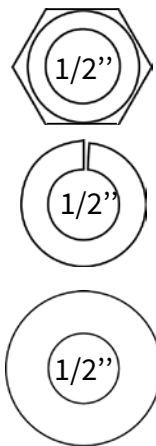


FIGURE F

8)

Remove main body assembly from blocks or chairs and carefully set down.

NOTE: To replace or swap pins, simply follow steps 2 through 8, excluding step 4.



Congratulations! Your ABI Vibraflex™ Drag is ready to use on your ABI™ product!

Remember to refer to your tool's documentation for proper use and safety guidelines!