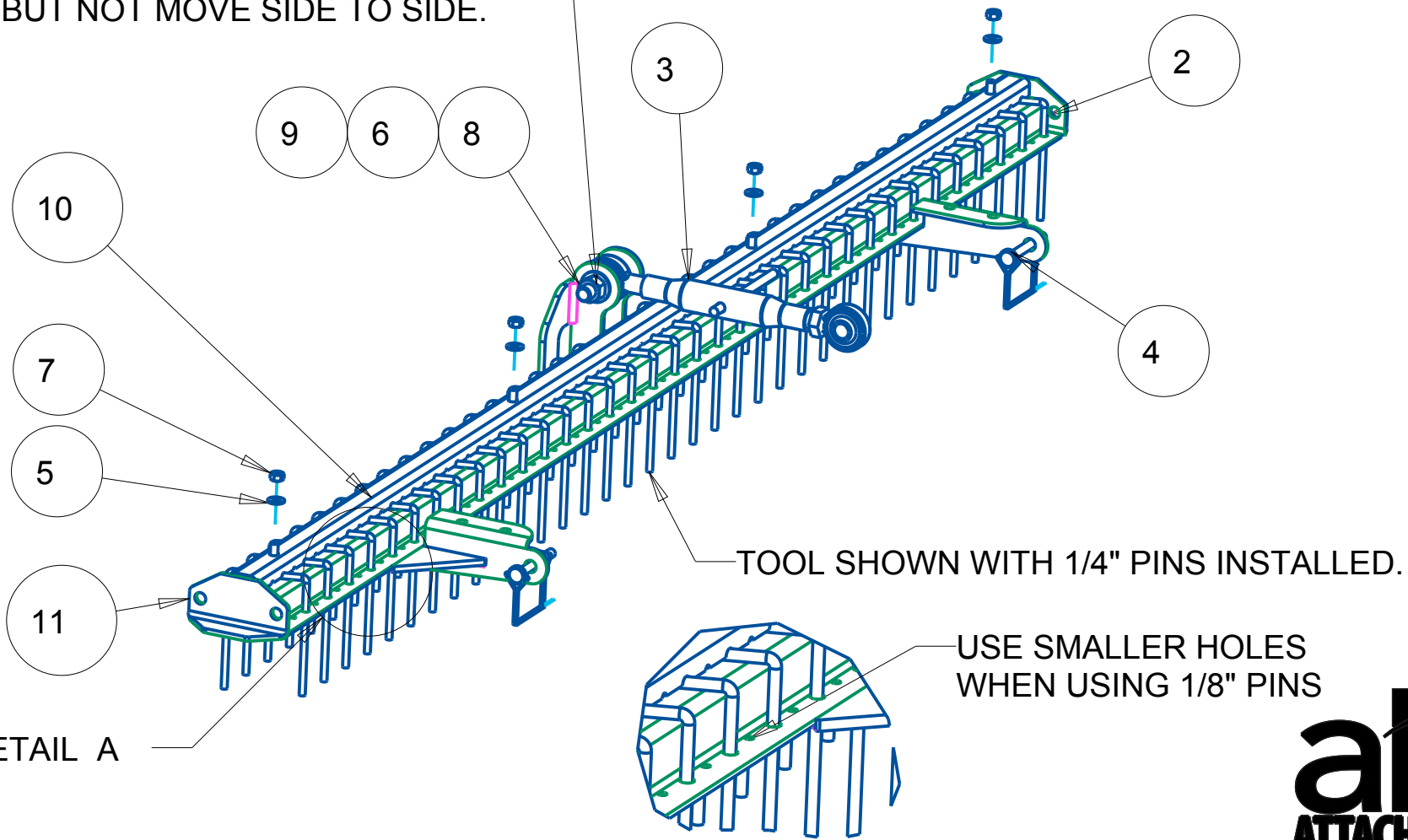


Z-23 3500R REAR VIBRAFLEX PRODUCT INSTRUCTION SHEET

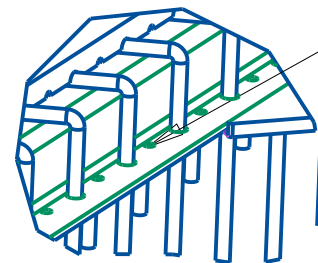
PN-10-10842

ITEM	PART #	DESCRIPTION	QTY
1	10-10082	1/8 VIBRAFLEX PIN	35
2	10-10085	1/4 VIBRAFLEX PIN	35
3	10-10316	TOPLINK:CAT0:11-15"	1
4	10-20125	PIN:3/8" SQ WIRELOCK:3.75 OAL	2
5	10-20128	5/16 SAE WASHER ZNC	4
6	10-20145	5/8 SAE F/W ZNC	2
7	10-20202	NYLOCK NUT:5/16-18:ZINC GR 5	4
8	10-20209	NYLOCK NUT:5/8-11:ZINC CL	1
9	10-20312	HX HD BOLT:5/8-11 3.5":ZINC GR8	1
10	10-31636	CHANNEL: PIN HOLDER: REAR 3500R VIBRAFLEX	1
11	10-40431	WLDMT: REAR VIBRAFLEX FRAME: 3500R	1

DO NOT OVER TIGHTEN.
BOLT SHOULD ROTATE FREELY
BUT NOT MOVE SIDE TO SIDE.



SEE DETAIL A



DETAIL A
SCALE 0.300

USE SMALLER HOLES
WHEN USING 1/8" PINS



www.abiattachments.com
877-788-7253

CREATOR	DATE	REVISION
DAB	5/21/19	A