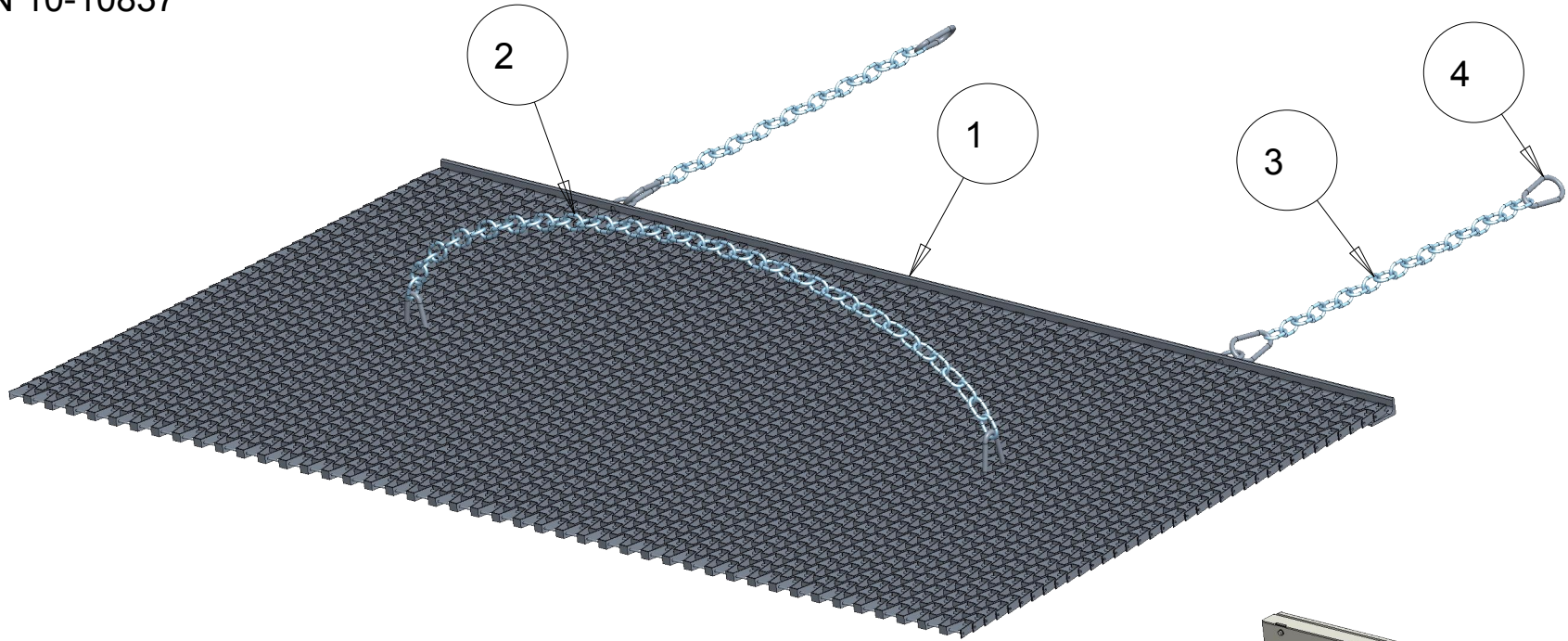


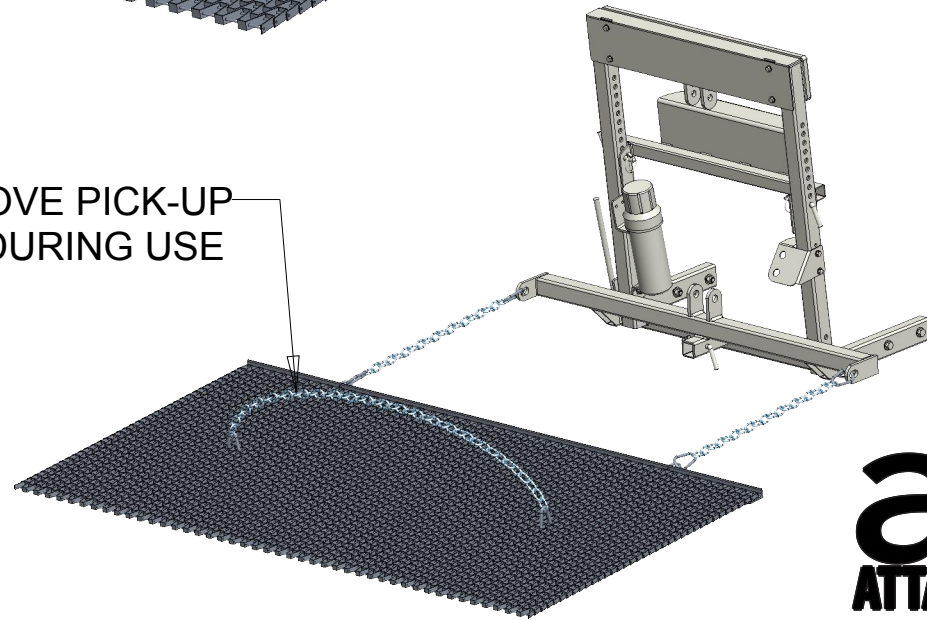
Z-23 XD FLEXIBLE DRAGMAT PRODUCT INSTRUCTION SHEET

PN 10-10837

ITEM	PART #	DESCRIPTION	QTY
1	10-10064	XD DRAGMAT: 72" X 36"	1
2	10-10435	CHAIN: PICK UP: 42 LINKS	1
3	10-10440	CHAIN: PICK UP: 19 LINKS	2
4	10-20154	5/16" SNAP HOOK	6



REMOVE PICK-UP
CHAIN DURING USE



abi
ATTACHMENTS

www.abiattachments.com
877-788-7253

CREATOR	DATE	REVISION
DAB	5/22/19	A