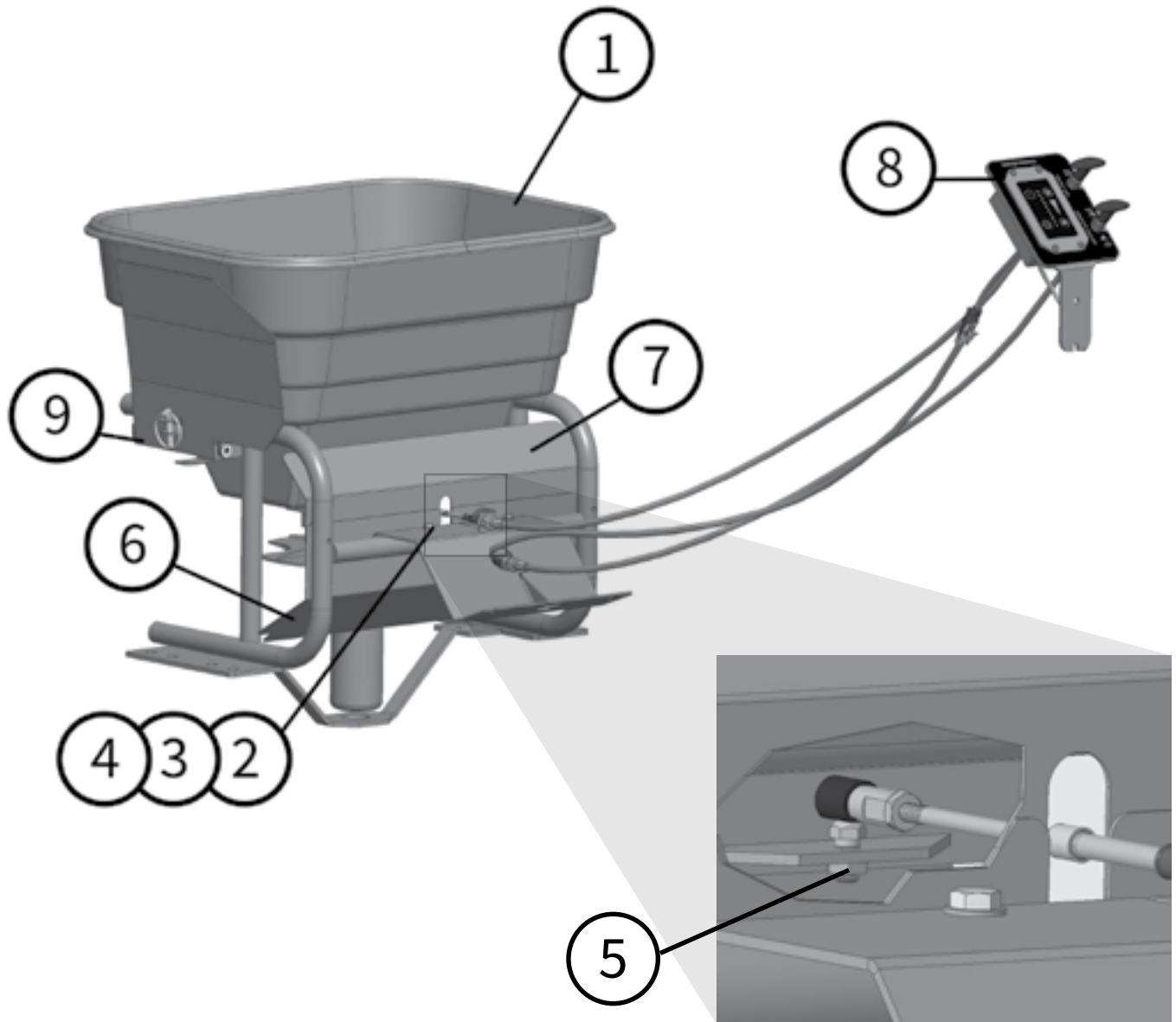


## **Product Instruction Sheet**

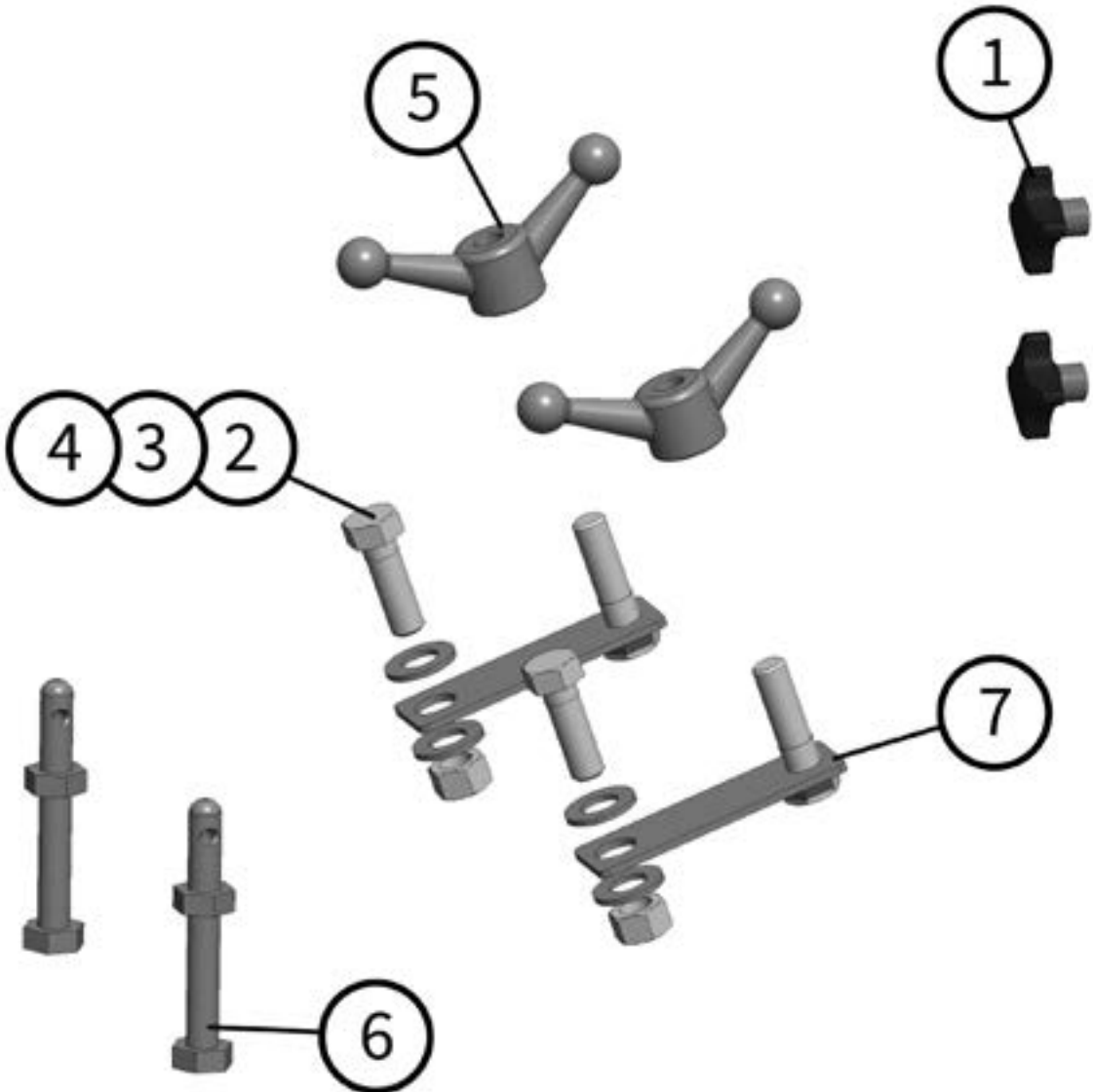
# **ABI Force Z-23 Electric Spreader**

[Click here to watch the video](#)

ITEM	PART #	DESCRIPTION	QTY
1	10-10802	KIT: SPREADING HOPPER: 125# 12V DC	1
2	10-20196	FLT WSHR:1/4 SAE:CL ZINC	4
3	10-20208	NYLOCK NUT:1/4-20:ZINC GR 5	2
4	10-20362	HX HD BOLT:1/4-20 1.75":ZINC GR5	2
5	10-20287	NUT: HEX MACHINE: 10-32 ZINC	2
6	10-31645	SHIELD: HOPPER/SPREADER: REAR LOWER	1
7	10-31655	SHIELD: HOPPER/SPREADER: REAR UPPER	1
8	10-40456	ASM: MOUNTING BRKT AND CONTROL: SPREADER/HOPPER	1
9	10-40457	ASM: SPREADER SHIELD: DIRECTIONAL	1



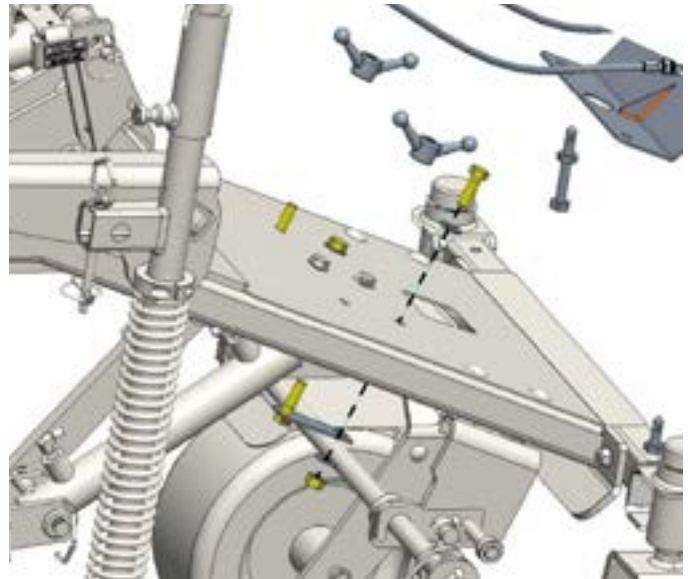
ITEM	PART #	DESCRIPTION	QTY
1	10-10835	HAND KNOB: 1.5" DIA. 4 LOBE: 5/16-18 FEMALE THREAD	2
2	10-20164	HX HD BOLT:1/2-13 1.5":ZINC GR5	2
3	10-20194	FLT WSHR:1/2 SAE: CL ZINC	4
4	10-20201	NYLOCK NUT:1/2-13:ZINC GR 5	2
5	10-20212	WING NUT:1/2"-13:ZINC	2
6	10-20399	PIN: 1/2" BOLT ON WITH CLIP	2
7	10-40425	WLDMT: MOUNTING STUD: HOPPER BRKT	2



## **Step 1.**

---

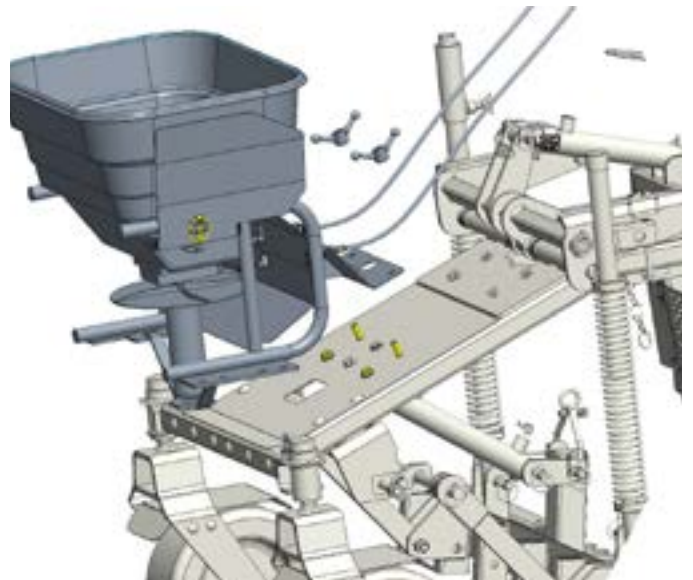
Install mounting stud plates & 1/2" pins.



## **Step 2.**

---

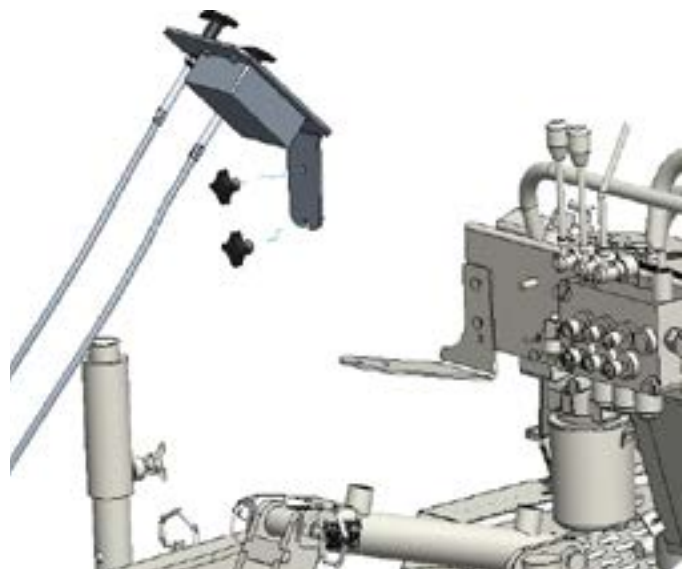
Install spreader as shown. Some spreader assembly may be required. Secure with 1/2" wing nuts.



## **Step 3.**

---

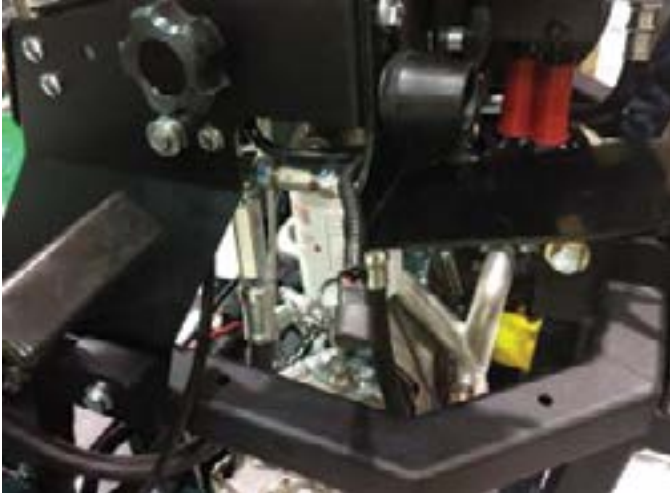
Install hopper control bracket to studs on dash using (2) 5/16" hand knobs.



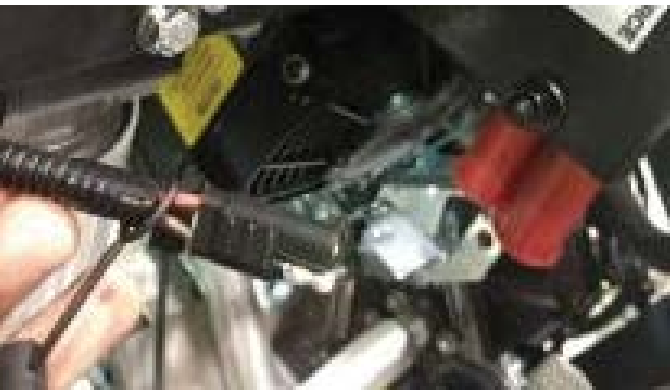
## Power Connection

---

Locate auxillary power plug. It is under dash near the parking brake handle.



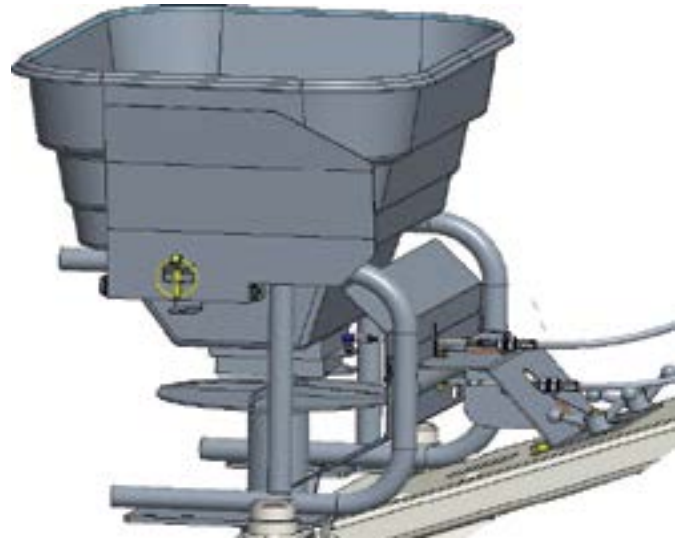
Remove dust cap, and connect then 2 pin power plug to the controller.



## Side Deflector

---

Deflector pinned up for normal spreading.

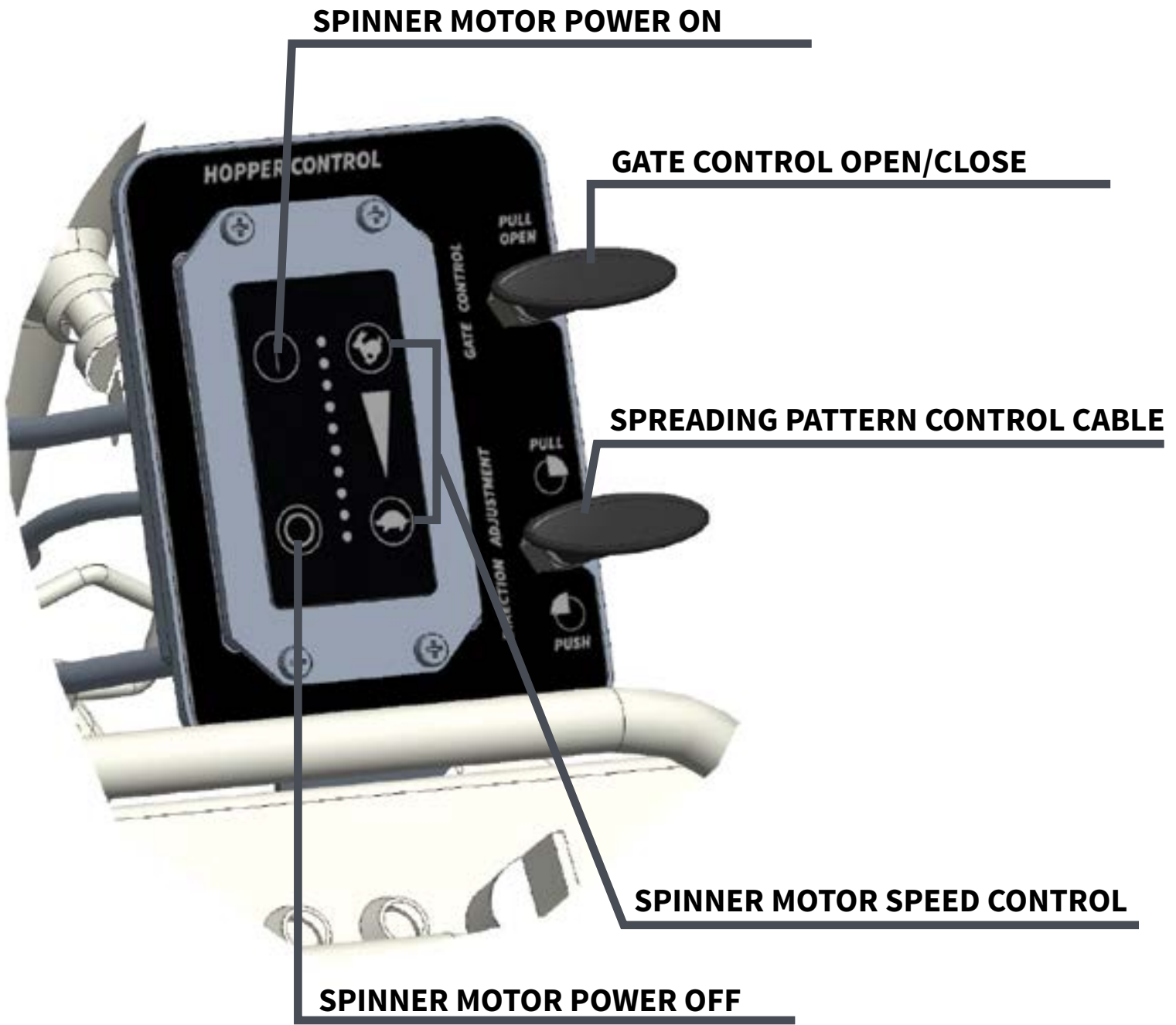


*\*Note the orientations of the linchpin.*

Deflector pinned down for single direction spreading.



*\*Note the orientations of the linchpin.*

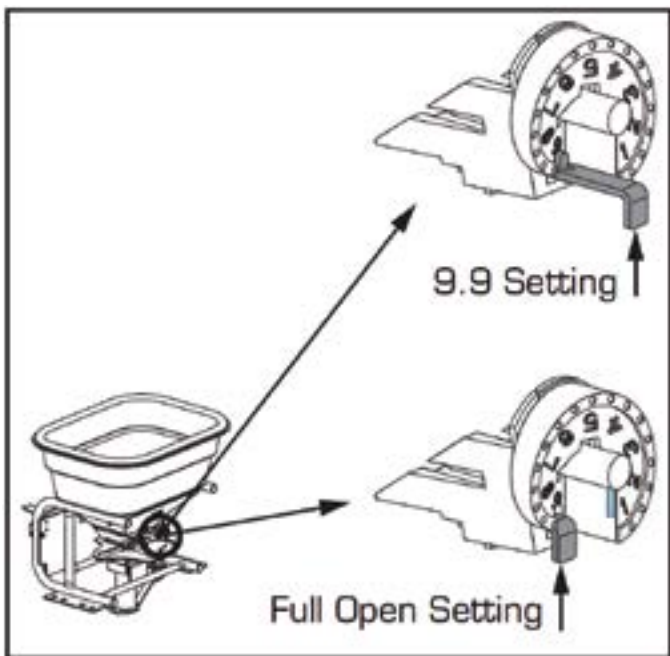


## Operation

---

This unit is designed to handle dry, clean, free-flowing material only such as bagged rock salt, ice melt, fertilizer, and grass seed. Do not use bulk rock salt or water softener salt. It may be necessary to remove agitator for some materials, such as bagged rock salt.

1. The recommended vehicle operating speed when spreading is approximately 3 MPH, or slightly faster than a brisk walk (equal to vehicle traveling 40 ft. in 9 seconds).
2. The rate gate linkage operates the rate gate. The dial is marked from 0 to 9.9. The rate gate linkage position determines the amount of material to be broadcast. The higher the number, the heavier the application of material.
3. The dial is milled out at the 9.9 position. This allows the rate gate link to go past the 9.9 position and enables the rate gate to be opened to maximum distance. This setting can be used for dry sand, dry organic top dresses, bagged rock salt, and ice melt products that are normally difficult to spread.

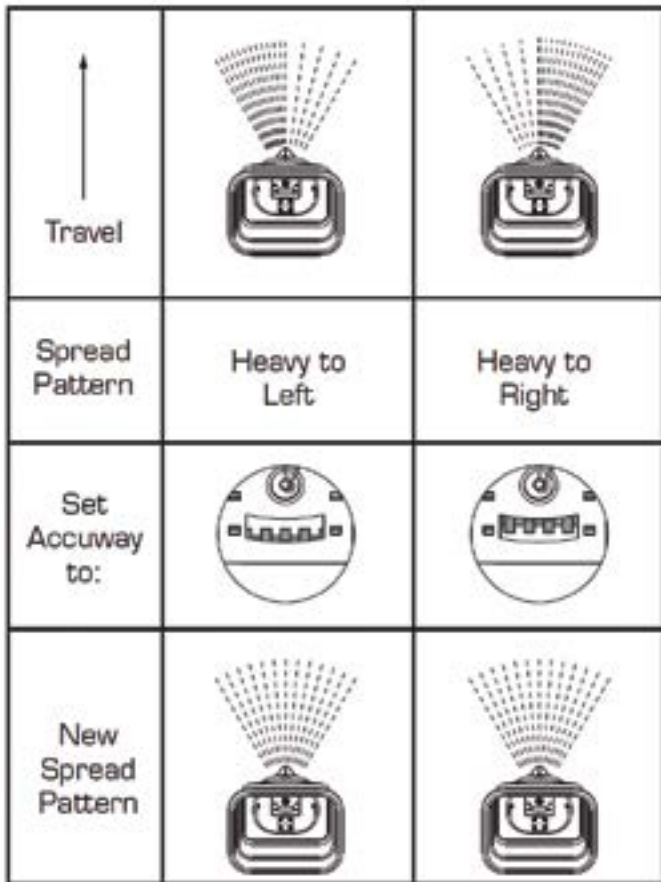


4. Ensure spreader and electrical harnesses are properly attached to vehicle (see Assembly Section).
5. Fill hopper with material. Do not exceed maximum weight capacity of hopper (120 lbs max).
6. Set dial to correct position. If a Spyker dial setting is not found with broadcast material information, use the size and weight comparison table found on the following pages. Determine a dial setting on the low side. If the setting proves to be too low, cover the area more than one time. A higher setting can be used when a proven dial setting is established.
7. Travel to spreading location.
8. Ensure area surrounding spreader is clear of bystanders.
9. Turn on the spreading motor and adjust motor speed control. The higher the motor speed control setting, the further the broadcast distribution will be. For most fertilizers, the motor speed control can be set at 1/2 speed and still obtain a 18' spread width. For grass seeds, the motor speed control can be set at 5 to obtain a 12' spread width.
10. Pull the Gate Control handle to open hopper gate. Open the gate of the spreader after you are in motion at operating speed (about 3 MPH).
11. Evaluate spread pattern.
12. If spread pattern is OK, continue to spread at recommended speed of 3 MPH.
13. If spread pattern needs to be adjusted, go to Accuway Spread Pattern Adjustment Section.
14. Push the Gate Control Handle to close gate. Close the gate of the spreader while still at operational speed.
15. Turn on/off switch to OFF to stop Spreader Motor.

## Accuway Spread Pattern Adjustment

**CAUTION!** To avoid injury to hand, ensure motor controller is switched OFF before adjusting Accuway.

As you spread, if the spread pattern is skewing or flowing heavy to one side, slowly push or pull spread pattern control to adjust. Slide the T-knob forwards or backwards.



Moving the Accuway plate shifts the material on the spinner. Adjustment is very sensitive and should be done in small increments until the spread pattern is centered.

## Spreading Chart

This unit is designed to handle dry, clean, free-flowing material only such as bagged rock salt, ice melt, fertilizer, and grass seed. Do not use bulk rock salt or water softener salt. It may be necessary to remove agitator for some materials, such as bagged rock salt.

**SPEED - ACCURACY - FREEDOM FROM STRIPES AND STREAKS** are yours - when you use this Spreader. The spread width ranges from 6 ft. to 25 ft. wide, depending on the volume/density, particle size of the material and the rate of travel. The spread thins or feathers at the outer edges, eliminating sharp, "Edge of spread" lines which cause stripes and streaks.

**REMEMBER-** Published dial settings can be approximate only. The operation of the spreader, the condition of the material (damp or dry or over-pulverized) and weather conditions, are all contributing factors.

For these reasons, it's often a good idea to spread the area 2 times - at one-half rate - in cross directions. Vehicle travel speed should be 3 MPH.







**CAUTION.** Avoid injury! Chemicals can be dangerous. Avoid injury to operator or bystanders.

- Read chemical MSDS (Material Safety Data Sheets) and container label for proper/safe handling instructions.
- Wear appropriate clothing and safety equipment when applying and handling chemicals.
- Prohibit smoking, drinking, and eating around chemicals.

**WARNING:** When spreading products containing herbicides, exercise extreme caution with respect to careless spreading and to wind-drift. **CONTACT OF SOME PRODUCTS ON SOME PLANTS CAN BE FATAL.**



**NOTE: Dial settings are approximate only!**

Product	Particle size	lbs. per 1000 ft <sup>2</sup>	Dial Settings Full Rate Once Over	Dial Settings Half Rate Twice Over
Fine Pellets		1	3.6	3.1
		2	4.0	3.5
		3	4.2	3.7
Mixed Fine Pellets		2	3.7	3.2
		4	4.7	4.1
		6	5.2	4.5
Small Pellets		2	3	2.2
		4	4.2	3.7
		6	4.5	4
Nitrogen Pellets Medium Size		1	3.5	3
		2	4.2	3.7
		3	4.7	4
Medium Pellets And Granuals		2	3.5	3
		4	4.2	3.8
		6	5.2	4.5
Large Heavy Pellets		2	3.8	3.3
		4	4.9	4.1
		6	5.9	4.9

**GRASS SEED SPREADING CHART**

Product	Bag Weight	Sq. ft Coverage	Dial Settings Full Rate	Dial Settings Half Rate	Spread Width
Fine Pellets	.5 lbs.	1,000	1.25		4
	1 lbs.	1,000	2.0		4
	2 lbs.	1,000	2.5		4
Park, Merion, Delta, or Kentucky Bluegrass	.5 lbs.	1,000	2.5		4
	1 lbs.	1,000	3.0		4
	2 lbs.	1,000	3.5		4
Hulled Bermuda	2 lbs.	1,000	2.75	2.25	5
	3 lbs.	1,000	3.0	2.5	6
	4 lbs.	1,000	3.25	2.75	6
Mixtures Including Coarse Seeds	2 lbs.	1,000	6.0		6
	4 lbs.	1,000	7.0		6
	6 lbs.	1,000	7.0		6
Rye Grasses or Tall Fescue	2 lbs.	1,000	6.0		6
	4 lbs.	1,000	7.0		6
	6 lbs.	1,000	7.75		6
Dichondra	4 oz.	1,000	1.9		8
	8 oz.	1,000	2.1		8
	12 oz.	1,000	2.5		8
Pensacola Bahia	4 lbs.	1,000	4.5	3.75	7
	5 lbs.	1,000	4.75	4.0	7
	6 lbs.	1,000	5.0	4.25	7