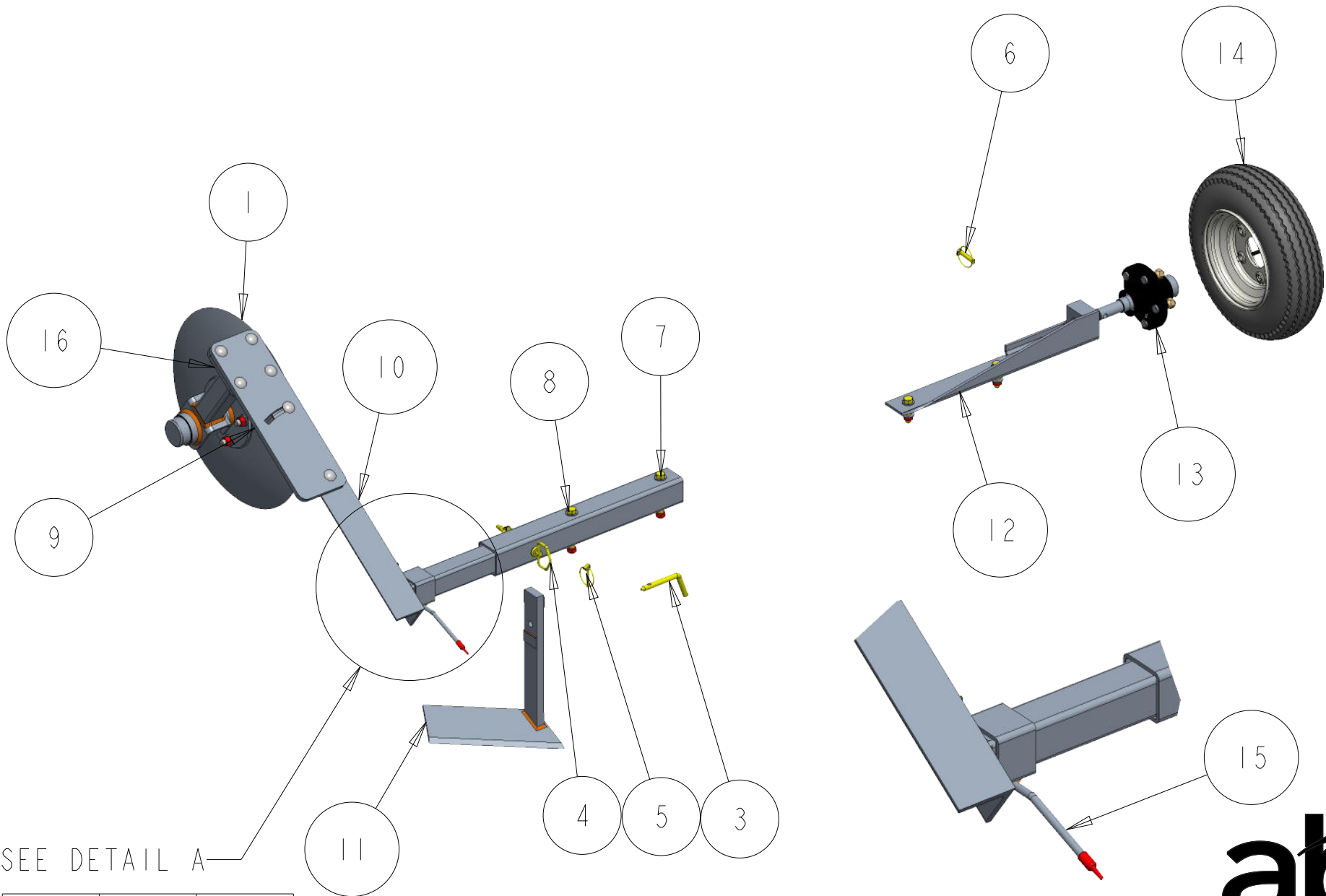


# PRODUCT INSTRUCTION SHEET

## EDGER ATTACHMENT Z-23



SEE DETAIL A

CREATOR	DATE	REVISION
DAB	7/12/19	A
DAB	3/13/2020	B
DAB	3/31/2021	C
LTL	5/31/2022	D

PN 10-10843

DETAIL A  
SCALE 0.170

PG 1 OF 4



www.abiattachments.com  
877-788-7253

# PRODUCT INSTRUCTION SHEET

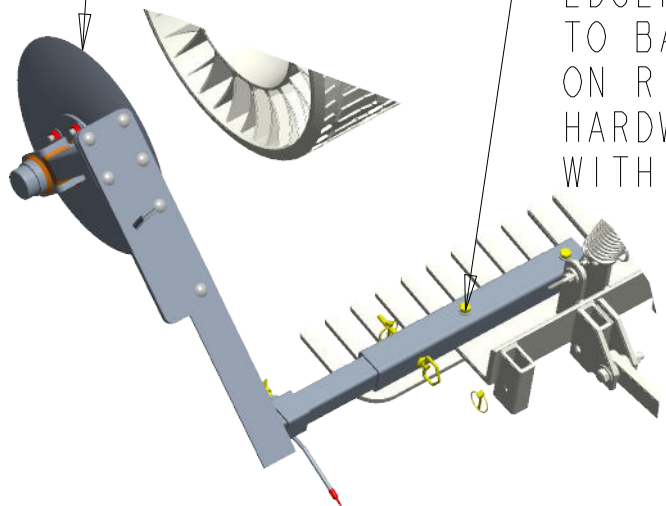
## EDGER ATTACHMENT Z-23

ITEM	PART #	DESCRIPTION	QTY
1	10-10349	DISK:18" CONCAVE:4 ON 5 BOLTS	1
2	10-10843	INSTALLATION MANUAL: ABI FORCE Z-23 EDGER ATTACHMENT	1
3	10-20221	BENT PIN:1/2"X3.5":ZINC	1
4	10-20230	HITCH PIN:1/2" X 5":ZINC	1
5	10-20232	LYNCH PIN:1/4"X1.25":ZINC	2
6	10-20233	LYNCH PIN:7/16"X1.25":ZINC	1
7	10-20336	HARDWARE KIT: EDGER: Z23	1
8	10-30631	TUBE:BLADE MNT:FORCE EDGER	1
9	10-32346	PLATE:BLADE ANGLE ADJ:FORCE EDGER	1
10	10-40172	WLDMT:BLADE MNT:FORCE EDGER	1
11	10-40245	WLDMT: EDGER CLEAN UP	1
12	10-40311	WLDMT: TIRE MOUNT: EDGER	1
13	10-60058	HUB ASM:5 ON 4.5":1" ID BRNG	1
14	10-60059	WHEEL ASM:5 LUG 4.8/4-8 TURF:NO FOAM	1
15	10-90518	ASM: SIGHT GAGE: Z-23 EDGER: ARM MOUNT	1
16	10-90546	ASM: EDGER ARM AND AXLE: FORCE	1

# PRODUCT INSTRUCTION SHEET

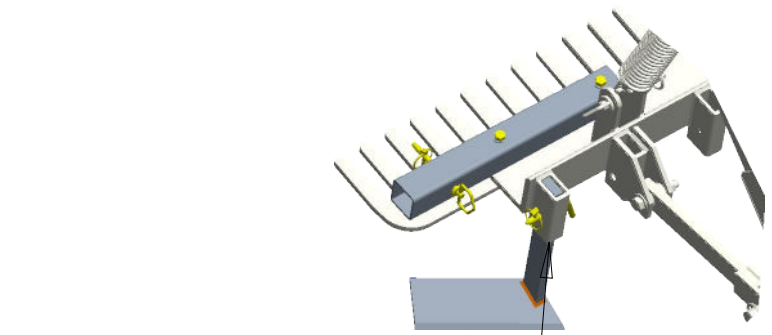
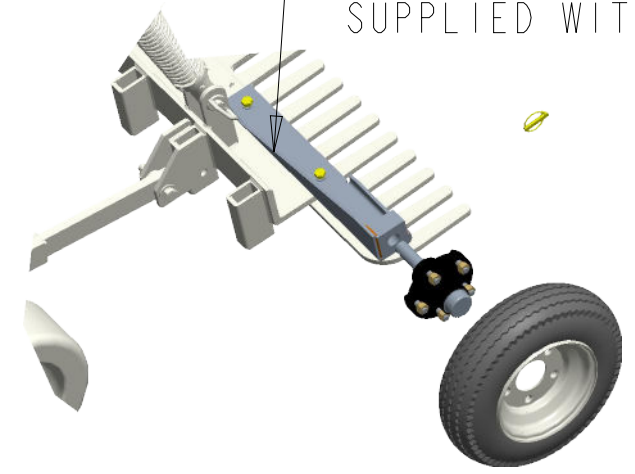
## EDGER ATTACHMENT Z-23

CONCAVE SIDE FACES  
MACHINE

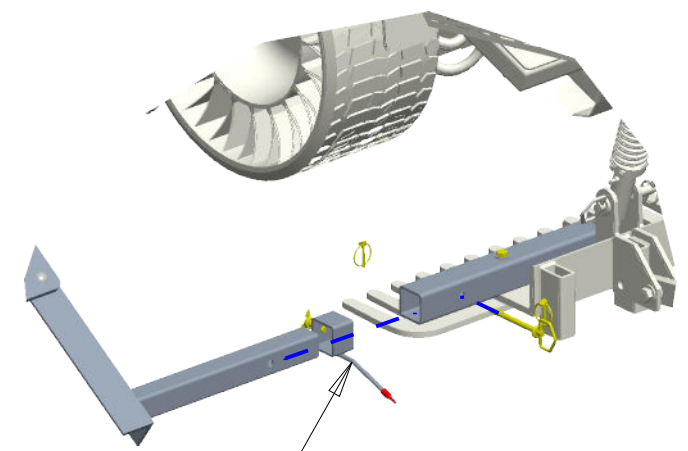


EDGER TUBE MOUNTS  
TO BACK OF RAKE.  
ON RIGHT SIDE  
HARDWARE SUPPLIED  
WITH EDGER.

STABILIZING WHEEL  
ASSEMBLY MOUNTS TO  
BACK OF RAKE ON LEFT  
SIDE. HARDWARE  
SUPPLIED WITH EDGER.



CLEAN-UP TOOL  
PINS INTO LAST  
POCKET ON RIGHT SIDE  
OF RAKE WELDMENT.



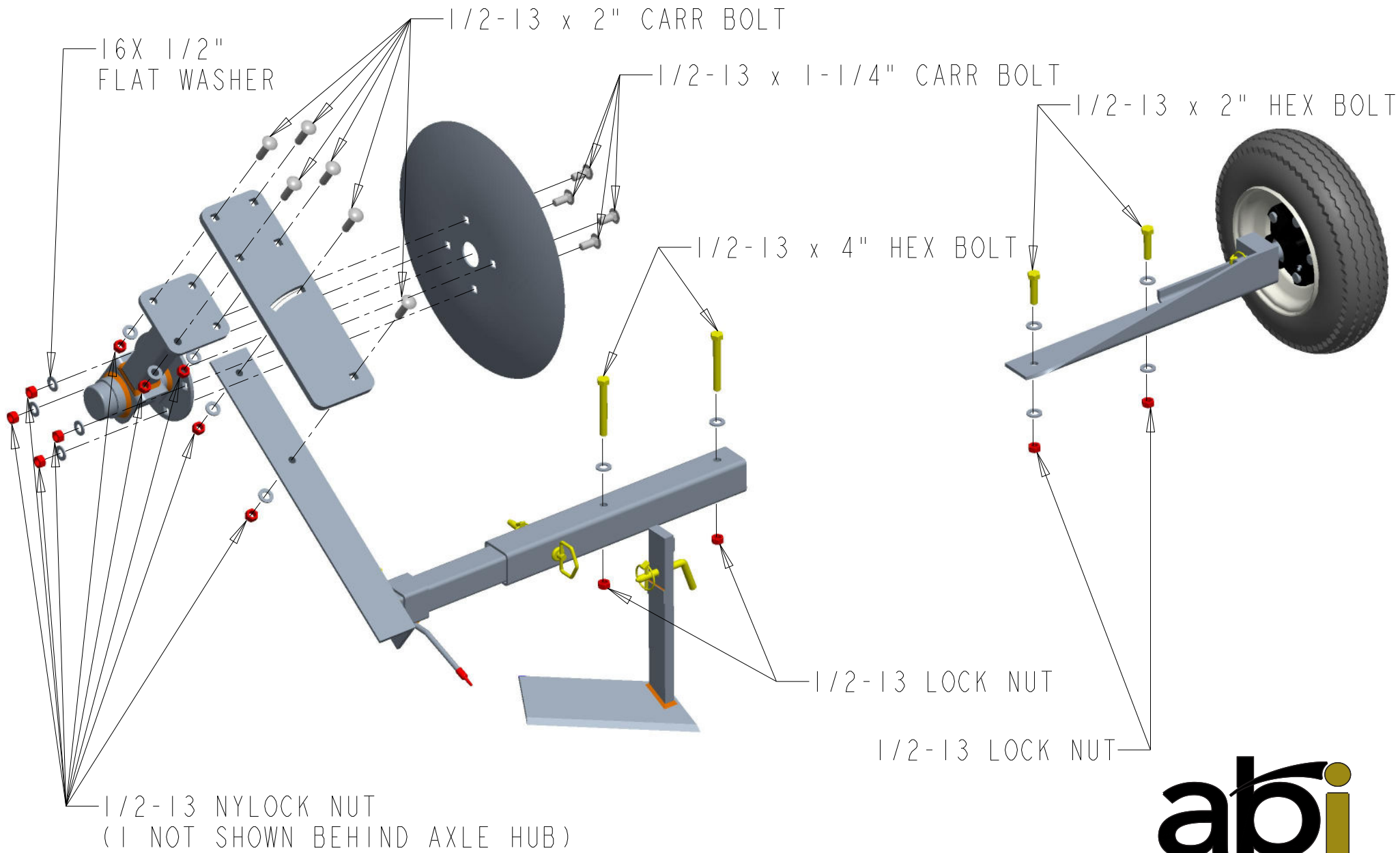
SIGHT GAGE WELDMENT  
MOUNTS TO EDGER ARM  
TUBE AS SHOWN. SECURE WITH  
WING BOLT



[www.abiattachments.com](http://www.abiattachments.com)  
877-788-7253

# PRODUCT INSTRUCTION SHEET

## EDGER ATTACHMENT Z-23



www.abiattachments.com  
877-788-7253